



# **SHEAVE**

(IN STOCK)



## **SHEAVE**

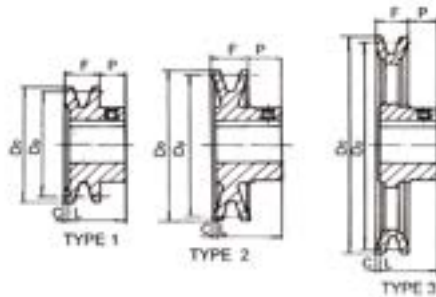
Light Duty Bore-To-Size Sheaves .....	A.1 TO A.5
Light Duty Variable pitch Sheaves .....	A.6
Light Duty QD Sheaves .....	A.7 TO A.11
Heavy Duty QD A-B C Sheaves .....	A.12 TO A.19
Heavy Duty QD 3V 5V 8V Sheaves .....	A.20 TO A.28

- Shaves**
- We use a high grade 35 Cast Iron on all of our Sheaves
  - Our Sheaves have a considerably higher tensile strength and resistance to wear than conventional grade 25 Sheaves.
  - To inhibit rust,we use and undercoating of paint that contains protective phosphate agents.
  - We use automated balancing for each Sheave to insure smoother performance and longer life.



# SHEAVE

## Light Duty Bored-To-Size Sheaves



Single Groove Sheaves for  
"3L" "4L" & "A" Belts



Part No.	Diameters(in.)		Type	Dimensions(in.)				Stock Bores(in.)	
	D <sub>o</sub>	D <sub>p</sub>		F	L	P	C		
		"3L"	"4L+A"						
AK20	2.00	1.46	1.80	1	21/32	15/16	7/16	5/32	1/2, 5/8, 3/4
AK21	2.10	1.56	1.90	1	21/32	15/16	7/16	5/32	1/2, 5/8, 3/4
AK22	2.20	1.66	2.00	1	21/32	15/16	7/16	5/32	1/2, 5/8, 3/4
AK23	2.30	1.76	2.10	1	21/32	15/16	7/16	5/32	1/2, 5/8, 3/4, 7/8
AK25	2.50	1.96	2.30	2	21/32	15/16	7/16	5/32	1/2, 5/8, 3/4, 7/8, 1
AK26	2.60	2.06	2.40	2	21/32	15/16	7/16	5/32	1/2, 5/8, 3/4
AK27	2.70	2.16	2.50	2	21/32	15/16	7/16	5/32	1/2, 5/8, 3/4
AK28	2.80	2.26	2.60	2	21/32	15/16	7/16	5/32	1/2, 5/8, 3/4, 7/8, 1
AK30	3.05	2.46	2.80	2	21/32	15/16	7/16	5/32	1/2, 5/8, 3/4, 7/8, 1
AK32	3.25	2.66	3.00	2	21/32	15/16	7/16	5/32	1/2, 5/8, 3/4, 7/8, 1, 1 1/8
AK34	3.45	2.86	3.20	2	21/32	15/16	7/16	5/32	1/2, 5/8, 3/4, 7/8, 1, 1 1/8
AK39	3.75	3.16	3.50	2	3/4	1 1/32	1 1/32	1/16	1/2, 5/8, 3/4, 7/8, 1 1/8, 1 1/4
AK41	3.95	3.36	3.70	2	3/4	1 1/32	1 1/32	1/16	1/2, 5/8, 3/4, 7/8, 1 1/8, 1 1/4
AK44	4.25	3.66	4.00	3	3/4	1 1/32	1 1/32	1/16	1/2, 5/8, 3/4, 7/8, 1 1/8, 1 1/4
AK46	4.45	3.86	4.20	3	3/4	1 1/32	1 1/32	1/16	1/2, 5/8, 3/4, 7/8, 1 1/8, 1 1/4
AK49	4.75	4.16	4.50	3	3/4	1 1/32	1 1/32	1/16	1/2, 5/8, 3/4, 7/8, 1 1/8, 1 1/4
AK51	4.95	4.36	4.70	3	3/4	1 1/32	1 1/32	1/16	1/2, 5/8, 3/4, 7/8, 1, 1 1/8
AK54	5.25	4.66	5.00	3	3/4	1 1/32	1 1/32	1/16	1/2, 5/8, 3/4, 7/8, 1 1/8, 1 1/4, 1 1/2
AK56	5.45	4.86	5.20	3	3/4	1 1/32	1 1/32	1/16	1/2, 5/8, 3/4, 7/8, 1 1/8, 1 1/4, 1 1/2
AK59	5.75	5.16	5.50	3	3/4	1 1/32	1 1/32	1/16	1/2, 5/8, 3/4, 7/8, 1 1/8, 1 1/4, 1 1/2
AK61	5.95	5.36	5.70	3	3/4	1 1/32	1 1/32	1/16	1/2, 5/8, 3/4, 7/8, 1 1/8, 1 1/4, 1 1/2
AK64	6.25	5.66	6.00	3	3/4	1 1/32	1 1/32	1/16	1/2, 5/8, 3/4, 7/8, 1 1/8, 1 1/4, 1 1/2
AK66	6.45	5.86	6.20	3	3/4	1 1/32	1 1/32	1/16	1/2, 5/8, 3/4, 1, 1 1/8
AK69	6.75	6.16	6.50	3	3/4	1 1/32	1 1/32	0	3/4, 1, 1 1/8
AK71	6.95	6.36	6.70	3	3/4	1 1/32	1 1/32	0	1/2, 5/8, 3/4, 1, 1 1/8, 1 1/2
AK74	7.25	6.66	7.00	3	3/4	1 1/32	1 1/32	0	1/2, 5/8, 3/4, 1 1/8, 1 1/4, 1 1/2, 1 1/4, 1 1/2
AK79	7.75	7.16	7.50	3	3/4	1 1/32	1 1/32	0	3/4, 1, 1 1/8, 1 1/2
AK84	8.25	7.66	8.00	3	3/4	1 1/32	1 1/32	0	1/2, 5/8, 3/4, 1 1/8, 1, 1 1/2, 1 1/4
AK89	8.75	8.16	8.50	3	3/4	1 1/32	1 1/32	0	3/4, 1, 1 1/8, 1 1/2
AK94	9.25	8.66	9.00	3	3/4	1 1/32	1 1/32	0	1/2, 5/8, 3/4, 1 1/8, 1, 1 1/2, 1 1/4, 1 1/2
AK99	9.75	9.16	9.50	3	3/4	1 1/32	1 1/32	0	3/4, 1, 1 1/2
AK104	10.25	9.66	10.00	3	3/4	1 1/32	1 1/32	0	5/8, 3/4, 1, 1 1/8, 1 1/4, 1 1/2, 1 1/4, 1 1/2
AK109	10.75	10.16	10.50	3	3/4	1 1/32	1 1/32	0	3/4, 1, 1 1/8, 1 1/2
AK114	11.25	10.66	11.00	3	3/4	1 1/32	1 1/32	0	3/4, 1, 1 1/8, 1 1/2
AK124	12.25	11.66	12.00	3	3/4	1 1/32	1 1/32	0	5/8, 3/4, 1, 1 1/8, 1 1/4, 1 1/2
AK134	13.25	12.66	13.00	3	3/4	1 1/32	1 1/32	0	3/4, 1, 1 1/8, 1 1/2, 1 1/4, 1 1/2
AK144	14.25	13.66	14.00	3	3/4	1 1/32	1 1/32	0	3/4, 1, 1 1/8, 1 1/2
AK154	15.25	14.66	15.00	3	3/4	1 1/32	1 1/32	0	3/4, 1, 1 1/8, 1 1/2, 1 1/4, 1 1/2
AK184	18.25	17.66	18.00	3	3/4	1 1/32	1 1/32	0	3/4, 1, 1 1/8, 1 1/2

Standard Keyseats	
Bore-Range	Keyseat
1/2	None
5/8 - 7/8	3/16 x 3/32
1 1/16 - 1 1/4	1/4 x 1/8
1 7/16	3/8 x 3/16

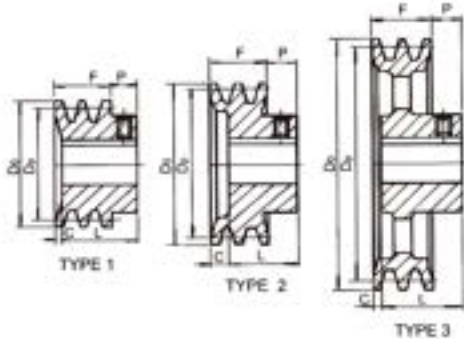
AK sheaves are precision machined from gray cast iron, statically balanced, epoxy powder coating and individually packaged.

Sheaves are furnished with standard keyways & set screws.



# SHEAVE

## Light Duty Bored-To-Size Sheaves



Two Groove Sheaves for  
"3L" "4L" & "A" Belt



Part No.	Diameters(in.)			Type	Dimensions(in.)				Stock Bores(in.)
	D <sub>o</sub>	D <sub>p</sub>			F	L	P	C	
		"3 L"	"4L+A"						
2AK20	2.00	1.46	1.80	1	1 1/4	1 1/2	1 1/2	3/8	1/2, 3/4, 7/8
2AK21	2.15	1.56	1.90	1	1 1/4	1 1/2	1 1/2	3/8	1/2, 3/4, 3/4
2AK22	2.25	1.66	2.00	1	1 1/4	1 1/2	1 1/2	3/8	1/2, 3/4, 3/4, 7/8
2AK23	2.35	1.76	2.10	1	1 1/4	1 1/2	1 1/2	3/8	3/4, 3/4, 7/8, 1
2AK25	2.55	1.96	2.30	1	1 1/4	1 1/2	1 1/2	3/8	3/4, 3/4, 7/8, 1 1/8
2AK26	2.65	2.06	2.40	1	1 1/4	1 1/2	1 1/2	3/8	3/4, 3/4, 7/8, 1
2AK27	2.75	2.16	2.50	1	1 1/4	1 1/2	1 1/2	3/8	1/2, 3/4, 3/4, 7/8, 1
2AK28	2.85	2.26	2.60	1	1 1/4	1 1/2	1 1/2	3/8	3/4, 3/4, 7/8, 1
2AK30	3.05	2.46	2.80	1	1 1/4	1 1/2	1 1/2	3/8	1/2, 3/4, 3/4, 7/8, 1, 1 1/8
2AK32	3.25	2.66	3.00	1	1 1/4	1 1/2	1 1/2	3/8	3/4, 3/4, 7/8, 1, 1 1/8
2AK34	3.45	2.86	3.20	1	1 1/4	1 1/2	1 1/2	3/8	3/4, 3/4, 7/8, 1, 1 1/8
2AK39	3.75	3.16	3.50	2	1 1/4	1 1/2	1 1/2	1/2	3/4, 3/4, 7/8, 1, 1 1/8
2AK41	3.95	3.36	3.70	2	1 1/4	1 1/2	1 1/2	1/2	3/4, 3/4, 7/8, 1, 1 1/8
2AK44	4.25	3.66	4.00	2	1 1/4	1 1/2	1 1/2	1/2	3/4, 3/4, 7/8, 1, 1 1/8
2AK46	4.45	3.86	4.20	2	1 1/4	1 1/2	1 1/2	1/2	7/8, 1, 1 1/8
2AK49	4.75	4.16	4.50	2	1 1/4	1 1/2	1 1/2	1/2	3/4, 7/8, 1, 1 1/8, 1 1/8
2AK51	4.95	4.36	4.70	2	1 1/4	1 1/2	1 1/2	1/2	3/4, 7/8, 1, 1 1/8, 1 1/8
2AK54	5.25	4.66	5.00	3	1 1/4	1 1/2	1 1/2	1/2	3/4, 3/4, 7/8, 1, 1 1/8, 1 1/8
2AK56	5.45	4.86	5.20	3	1 1/4	1 1/2	1 1/2	1/2	3/4, 3/4, 7/8, 1, 1 1/8, 1 1/8
2AK59	5.75	5.16	5.50	3	1 1/4	1 1/2	1 1/2	1/2	1, 1 1/8, 1 1/8
2AK61	5.95	5.36	5.70	3	1 1/4	1 1/2	1 1/2	1/2	3/4, 7/8, 1, 1 1/8, 1 1/8
2AK64	6.25	5.66	6.00	3	1 1/4	1 1/2	1 1/2	1/2	3/4, 1, 1 1/8, 1 1/8, 1 1/8, 1 1/8
2AK74	7.25	6.66	7.00	3	1 1/4	1 1/2	1 1/2	1/2	3/4, 1, 1 1/8, 1 1/8, 1 1/8, 1 1/8
2AK84	8.25	7.66	8.00	3	1 1/4	1 1/2	1 1/2	1/2	3/4, 1 1/8, 1 1/8, 1 1/8, 1 1/8, 1 1/8
2AK94	9.25	8.66	9.00	3	1 1/4	1 1/2	1 1/2	1/2	3/4, 1, 1 1/8, 1 1/8, 1 1/8, 1 1/8
2AK104	10.25	9.66	10.00	3	1 1/4	1 1/2	1 1/2	1/2	3/4, 1 1/8, 1, 1 1/8
2AK114	11.25	10.66	11.00	3	1 1/4	1 1/2	1 1/2	1/2	3/4, 1, 1 1/8, 1 1/8, 1 1/8
2AK124	12.25	11.66	12.00	3	1 1/4	1 1/2	1 1/2	1/2	3/4, 1, 1 1/8, 1 1/8
2AK134	13.25	12.66	13.00	3	1 1/4	1 1/2	1 1/2	1/2	1 1/8, 1 1/8
2AK144	14.25	13.66	14.00	3	1 1/4	1 1/2	1 1/2	1/2	1, 1 1/8
2AK154	15.25	14.66	15.00	3	1 1/4	1 1/2	1 1/2	1/2	1 1/8, 1 1/8
2AK184	18.25	17.66	18.00	3	1 1/4	1 1/2	1 1/2	1/2	1 1/8, 1 1/8

Standard Keyseats	
Bore-Range	Keyseat
1/2	None
3/8 - 7/8	3/16 x 3/32
1 1/16 - 1 1/4	1/4 x 1/8
1 7/8	3/8 x 3/16

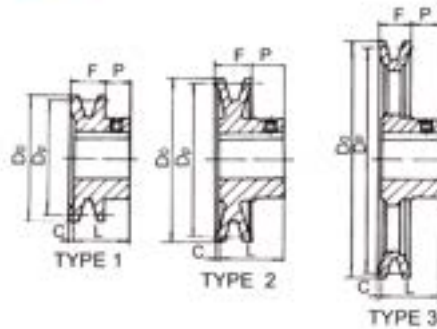
2AK sheaves are precision machined from gray cast iron, statically balanced, epoxy powder coating and individually packaged. Sheaves are furnished with standard keyways & set screws.





# SHEAVE

## Light Duty Bored-To-Size Sheaves



Single Groove Sheaves for  
"4L" "5L" & "B" Belts



Part No.	Diameters(in.)			Type	Dimensions(in.)				Stock Bores(in.)
	D <sub>0</sub>	D <sub>P</sub>			F	L	P	C	
		"4 L"	"5L+B"						
BK24	2.40	1.80	2.20	1	13/32	1 1/16	13/32	5/32	1/2, 5/8, 3/4
BK25	2.50	1.90	2.30	1	13/32	1 1/16	13/32	5/32	1/2, 5/8, 3/4, 7/8, 1
BK26	2.60	2.00	2.40	1	13/32	1 1/16	13/32	5/32	1/2, 5/8, 3/4, 7/8
BK27	2.70	2.10	2.50	2	13/32	1 1/16	13/32	5/32	1/2, 5/8, 3/4, 7/8, 1
BK28	2.95	2.20	2.60	2	13/32	1 1/16	13/32	5/32	1/2, 5/8, 3/4, 7/8, 1, 1 1/8
BK30	3.15	2.40	2.80	2	13/32	1 1/16	13/32	5/32	1/2, 5/8, 3/4, 7/8, 1
BK32	3.35	2.60	3.00	2	13/32	1 1/16	13/32	5/32	1/2, 5/8, 3/4, 7/8
BK34	3.55	2.80	3.20	2	7/8	1 5/16	13/32	1/8	1/2, 5/8, 3/4, 7/8, 1, 1 1/8
BK36	3.75	3.00	3.40	2	7/8	1 5/16	13/32	1/8	1/2, 5/8, 3/4, 7/8, 1, 1 1/8
BK40	3.95	3.20	3.60	2	7/8	1 5/16	13/32	1/8	1/2, 5/8, 3/4, 7/8, 1, 1 1/8
BK45	4.25	3.50	3.90	2	7/8	1 5/16	13/32	1/8	1/2, 5/8, 3/4, 7/8, 1, 1 1/8
BK47	4.45	3.70	4.10	2	7/8	1 5/16	13/32	1/8	1/2, 5/8, 3/4, 7/8, 1, 1 1/8
BK50	4.75	4.00	4.40	3	7/8	1 5/16	13/32	1/8	1/2, 5/8, 3/4, 7/8, 1 1/8, 1, 1 1/8
BK52	4.95	4.20	4.60	3	7/8	1 5/16	13/32	1/8	1/2, 5/8, 3/4, 7/8, 1, 1 1/8
BK55	5.25	4.50	4.90	3	7/8	1 5/16	13/32	1/8	1/2, 5/8, 3/4, 7/8, 1, 1 1/8, 1 1/8
BK57	5.45	4.70	5.10	3	7/8	1 5/16	13/32	1/8	5/8, 3/4, 7/8, 1 1/8, 1, 1 1/8
BK60	5.75	5.00	5.40	3	7/8	1 5/16	13/32	1/8	1/2, 5/8, 3/4, 7/8, 1, 1 1/8, 1 1/8
BK62	5.95	5.20	5.60	3	7/8	1 5/16	13/32	1/8	1/2, 5/8, 3/4, 7/8, 1 1/8, 1, 1 1/8, 1 1/8
BK65	6.25	5.50	5.90	3	7/8	1 5/16	13/32	1/8	5/8, 3/4, 1, 1 1/8
BK67	6.45	5.70	6.10	3	7/8	1 5/16	13/32	1/8	5/8, 3/4, 1, 1 1/8
BK70	6.75	6.00	6.40	3	7/8	1 5/16	2 1/32	1/16	5/8, 3/4, 1 1/8, 1, 1 1/8, 1 1/8, 1 1/8
BK72	6.95	6.20	6.60	3	7/8	1 5/16	2 1/32	1/16	3/4, 1, 1 1/8, 1 1/8
BK75	7.25	6.50	6.90	3	7/8	1 5/16	2 1/32	1/16	3/4, 1, 1 1/8, 1 1/8
BK77	7.45	6.70	7.10	3	7/8	1 5/16	2 1/32	1/16	3/4, 1, 1 1/8, 1 1/8
BK80	7.75	7.00	7.40	3	7/8	1 5/16	2 1/32	1/16	5/8, 3/4, 7/8, 1, 1 1/8, 1 1/8, 1 1/8, 1 1/8, 1 1/8
BK85	8.25	7.50	7.90	3	7/8	1 5/16	2 1/32	1/16	3/4, 1, 1 1/8, 1 1/8, 1 1/8
BK90	8.75	8.00	8.40	3	7/8	1 5/16	2 1/32	1/16	3/4, 7/8, 1 1/8, 1, 1 1/8, 1 1/8, 1 1/8, 1 1/8
BK95	9.25	8.50	8.90	3	7/8	1 5/16	2 1/32	1/16	3/4, 1, 1 1/8, 1 1/8, 1 1/8
BK100	9.75	9.00	9.40	3	7/8	1 5/16	2 1/32	1/16	3/4, 7/8, 1 1/8, 1, 1 1/8, 1 1/8, 1 1/8, 1 1/8, 1 1/8
BK105	10.25	9.50	9.90	3	7/8	1 5/16	2 1/32	1/16	1, 1 1/8, 1 1/8
BK110	10.75	10.00	10.40	3	7/8	1 5/16	2 1/32	1/16	3/4, 1, 1 1/8, 1 1/8, 1 1/8, 1 1/8, 1 1/8
BK115	11.25	10.50	10.90	3	7/8	1 5/16	2 1/32	1/16	1, 1 1/8, 1 1/8
BK120	11.75	11.00	11.40	3	7/8	1 5/16	2 1/32	1/16	3/4, 1, 1 1/8, 1 1/8, 1 1/8, 1 1/8
BK130	12.75	12.00	12.40	3	7/8	1 5/16	2 1/32	1/16	3/4, 1, 1 1/8, 1 1/8, 1 1/8, 1 1/8
BK140	13.75	13.00	13.40	3	7/8	1 5/16	2 1/32	1/16	3/4, 1, 1 1/8, 1 1/8
BK160	15.75	15.00	15.40	3	7/8	1 5/16	2 1/32	1/16	1, 1 1/8, 1 1/8, 1 1/8, 1 1/8
BK190	18.75	18.00	18.40	3	7/8	1 5/16	2 1/32	1/16	1, 1 1/8, 1 1/8, 1 1/8

Standard Keyseats	
Bore-Range	Keyseat
1/2	None
5/8 - 7/8	3/16 x 3/32
1 1/16 - 1 1/4	1/4 x 1/8
1 7/8	3/8 x 3/16

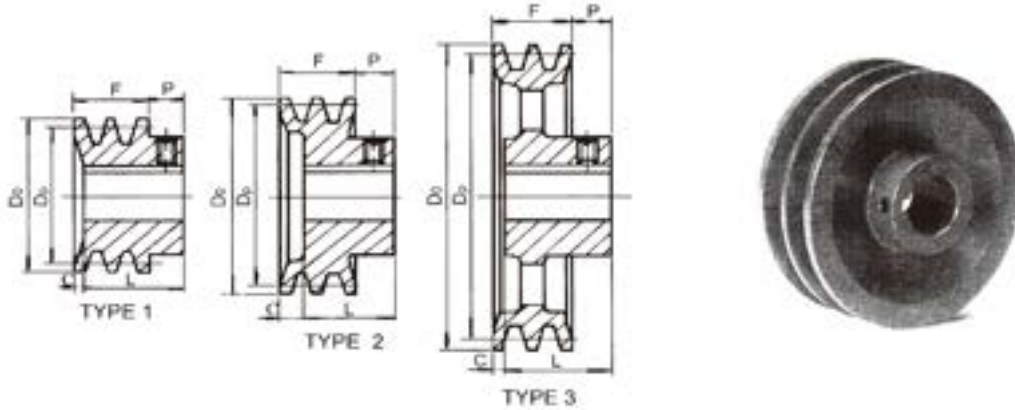
BK sheaves are precision machined from gray cast iron, statically balanced, epoxy powder coating and individually packaged. Sheaves are furnished with standard keyways & set screws.



# SHEAVE

## Light Duty Bored-To-Size Sheaves

Two Groove Sheaves for "4L" "5L" & "B" Belts



Part No.	Diameters(in.)			Type	Dimensions(in.)				Stock Bores(in.)
	D <sub>o</sub>	D <sub>p</sub>			F	L	P	C	
		"4 L"	"5L+B"						
2BK25	2.50	1.90	2.30	1	1 1/4	1 7/16	1 5/16	1/4	1/2, 3/4, 7/8
2BK27	2.70	2.10	2.50	1	1 1/4	1 7/16	1 5/16	1/4	1/2, 3/4, 7/8, 1, 1 1/8
2BK28	2.95	2.20	2.60	1	1 1/4	1 7/16	1 5/16	1/4	1/2, 3/4, 7/8, 1, 1 1/8
2BK30	3.15	2.40	2.80	1	1 1/4	1 7/16	1 5/16	1/4	1/2, 3/4, 7/8, 1, 1 1/8
2BK32	3.35	2.60	3.00	1	1 1/4	1 7/16	1 5/16	1/4	3/4, 7/8, 1, 1 1/8
2BK34	3.55	2.80	3.20	1	1 1/4	1 7/16	1 5/16	1/4	3/4, 7/8, 1, 1 1/8
2BK36	3.75	3.00	3.40	1	1 1/4	1 7/16	1 5/16	1/4	3/4, 7/8, 1, 1 1/8, 1 1/4
2BK40	3.95	3.20	3.60	2	1 1/4	1 15/16	1 5/16	3/4	3/4, 7/8, 1, 1 1/8
2BK45	4.25	3.50	3.90	2	1 1/4	1 15/16	1 5/16	3/4	1, 1 1/8, 1 1/4
2BK47	4.45	3.70	4.10	2	1 1/4	1 15/16	1 5/16	3/4	7/8, 1, 1 1/8
2BK50	4.75	4.00	4.40	2	1 1/4	1 15/16	1 5/16	3/4	3/4, 1, 1 1/8, 1 1/4
2BK52	4.95	4.20	4.60	2	1 1/4	1 15/16	1 5/16	3/4	3/4, 7/8, 1, 1 1/8, 1 1/4
2BK55	5.25	4.50	4.90	2	1 1/4	1 15/16	1 5/16	3/4	1 1/4, 1 1/2
2BK57	5.45	4.70	5.10	2	1 1/4	1 15/16	1 5/16	3/4	1, 1 1/8, 1 1/4
2BK60	5.75	5.00	5.40	3	1 1/4	1 15/16	1 5/16	3/4	3/4, 7/8, 1, 1 1/8, 1 1/4
2BK62	5.95	5.20	5.60	3	1 1/4	1 15/16	1 5/16	3/4	1, 1 1/8, 1 1/4
2BK65	6.25	5.50	5.90	3	1 1/4	1 15/16	1 5/16	3/4	1, 1 1/8, 1 1/4
2BK67	6.45	5.70	6.10	3	1 1/4	1 15/16	1 5/16	3/4	1, 1 1/8, 1 1/4
2BK70	6.75	6.00	6.40	3	1 1/4	1 15/16	1 5/16	1/2	3/4, 1, 1 1/8, 1 1/4, 1 1/2, 1 3/4
2BK80	7.75	7.00	7.40	3	1 1/4	1 15/16	1 5/16	1/2	3/4, 1, 1 1/8, 1 1/4, 1 1/2, 1 3/4
2BK90	8.75	8.00	8.40	3	1 1/4	1 15/16	1 5/16	1/2	3/4, 1, 1 1/8, 1 1/4, 1 1/2, 1 3/4, 1 7/8
2BK100	9.75	9.00	9.40	3	1 1/4	1 15/16	1 5/16	1/2	3/4, 1, 1 1/8, 1 1/4, 1 1/2, 1 3/4
2BK110	10.75	10.00	10.40	3	1 1/4	1 15/16	1 5/16	1/2	1, 1 1/8, 1 1/4, 1 1/2
2BK120	11.75	11.00	11.40	3	1 1/4	1 15/16	1 5/16	1/2	1, 1 1/8, 1 1/4, 1 1/2
2BK130	12.75	12.00	12.40	3	1 1/4	1 15/16	1 5/16	1/2	1, 1 1/8, 1 1/4, 1 1/2
2BK140	13.75	13.00	13.40	3	1 1/4	1 15/16	1 5/16	1/2	1, 1 1/8, 1 1/4, 1 1/2
2BK160	15.75	15.00	15.40	3	1 1/4	1 15/16	1 5/16	1/2	1, 1 1/8, 1 1/4, 1 1/2
2BK190	18.75	18.00	18.40	3	1 1/4	1 15/16	1 5/16	1/2	1 1/8, 1 1/4

Standard Keyseats	
Bore-Range	Keyseat
1/2	None
3/4 - 7/8	3/16 x 3/32
1 1/16 - 1 1/4	1/4 x 1/8
1 1/2	3/8 x 3/16

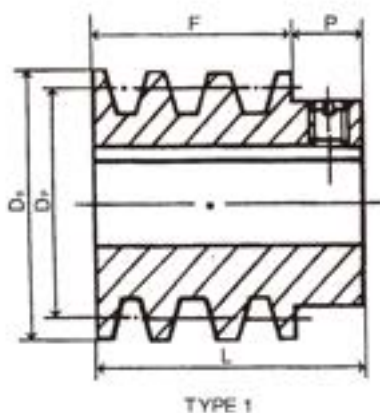
2BK sheaves are precision machined from gray cast iron, statically balanced, epoxy powder coating and individually packaged. Sheaves are furnished with standard keyways & set screws.



# SHEAVE

## Light Duty Bored-To-Size Sheaves

Three Groove Sheaves  
for "4L" "5L"  
"A" & "B" Belts



Part No.	Diameters(in.)			Type	Dimensions(in.)			Stock Bores(in.)
	D <sub>0</sub>	D <sub>p</sub>			F	L	P	
		"4L+A"	"5L+B"					
3BK25	2.50	1.90	2.30	1	2½	3	½	¾, 7/8
3BK27	2.70	2.10	2.50	1	2½	3	½	¾, 7/8, 1
3BK28	2.95	2.20	2.60	1	2½	3	½	¾, 7/8, 1, 1¼
3BK30	3.15	2.40	2.80	1	2½	3	½	7/8, 1, 1¼
3BK32	3.35	2.60	3.00	1	2½	3	½	7/8, 1, 1¼
3BK34	3.55	2.80	3.20	1	2½	3	½	7/8, 1, 1¼
3BK36	3.75	3.00	3.40	1	2½	3	½	7/8, 1, 1¼
3BK40	3.95	3.20	3.60	1	2½	3	½	7/8, 1, 1¼

3BK sheaves are precision machined from gray cast iron, statically balanced, epoxy powder coating and individually packaged.

Sheaves are furnished with standard keyways & set screws.

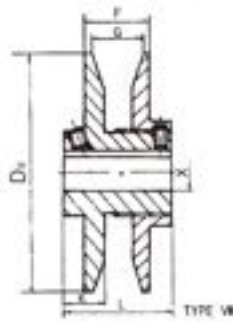
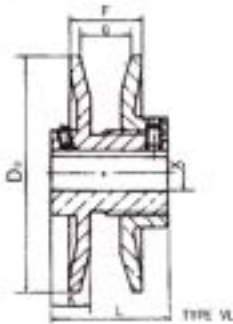
Standard Keyseats	
Bore-Range	Keyseat
¾ - 7/8	3/16 x 3/32
15/16 - 1 1/8	1/4 x 1/8



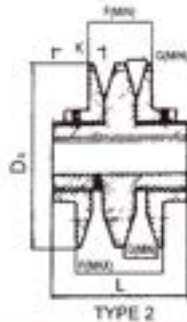
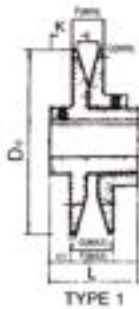


# SHEAVE

## Light Duty Variable Pitch



Part No.	Diameters(in.)							Stock Bores(in.)
	D <sub>0</sub>	F		G		L	K	
		Max.	Min.	Max.	Min.			
1AVL25	2.50	<sup>25</sup> / <sub>32</sub>	<sup>17</sup> / <sub>32</sub>	<sup>5</sup> / <sub>8</sub>	<sup>3</sup> / <sub>8</sub>	1 1/2	<sup>27</sup> / <sub>64</sub>	1/2, 5/8
1AVL30	2.87	<sup>25</sup> / <sub>32</sub>	<sup>17</sup> / <sub>32</sub>	<sup>5</sup> / <sub>8</sub>	<sup>3</sup> / <sub>8</sub>	1 1/2	<sup>27</sup> / <sub>64</sub>	1/2, 5/8
1AVL34	3.15	1	<sup>5</sup> / <sub>8</sub>	<sup>7</sup> / <sub>8</sub>	<sup>1</sup> / <sub>2</sub>	1 11/16	<sup>27</sup> / <sub>64</sub>	1/2, 5/8, 3/4
1AVL40	3.75	1	<sup>5</sup> / <sub>8</sub>	<sup>7</sup> / <sub>8</sub>	<sup>1</sup> / <sub>2</sub>	1 11/16	<sup>27</sup> / <sub>64</sub>	1/2, 5/8, 3/4, 7/8
1AVL44	4.15	1	<sup>5</sup> / <sub>8</sub>	<sup>7</sup> / <sub>8</sub>	<sup>1</sup> / <sub>2</sub>	1 11/16	<sup>27</sup> / <sub>64</sub>	1/2, 5/8, 3/4, 7/8
1AVL50	4.75	1 1/16	<sup>11</sup> / <sub>16</sub>	<sup>7</sup> / <sub>8</sub>	<sup>1</sup> / <sub>2</sub>	1 7/8	<sup>27</sup> / <sub>32</sub>	1/2, 5/8, 3/4, 7/8



Part No.	Type	D <sub>0</sub>	Single Groove Diameters(in.)				L	K	Stock Bores(in.)
			F		G				
			Max.	Min.	Max.	Min.			
1AVP25	1	2.32	.81	.56	.63	.38	1.59	1.62	1/2, 5/8, 3/4
1AVP30	1	2.87	.81	.56	.63	.38	1.86	.63	1/2, 5/8, 3/4
1AVP34	1	3.15	1.00	.69	.81	.50	1.88	.78	1/2, 5/8, 3/4, 7/8, 1, 1 1/8
1AVP40	1	3.75	1.06	.69	.88	.50	1.88	.66	1/2, 5/8, 3/4, 7/8, 1, 1 1/8
1AVP44	1	4.15	1.06	.69	.88	.50	1.88	.66	1/2, 5/8, 3/4, 7/8, 1, 1 1/8
1AVP50	1	4.75	1.06	.69	.88	.50	2.00	.78	1/2, 5/8, 3/4, 7/8, 1, 1 1/8

Part No.	Type	D <sub>0</sub>	Two Groove Diameters(in.)				L	K	Stock Bores(in.)
			F		G				
			Max.	Min.	Max.	Min.			
2AVP42	2	3.95	2.13	1.38	.88	.50	3.00	1.19	5/8, 3/4, 7/8, 1, 1 1/8
2AVP50	2	4.75	2.13	1.38	.88	.50	3.00	1.19	5/8, 3/4, 7/8, 1, 1 1/8
2AVP56	2	5.35	2.13	1.38	.88	.50	3.00	1.19	5/8, 3/4, 7/8, 1, 1 1/8
2AVP60	2	6.00	2.38	1.63	1.03	.66	3.25	1.25	3/4, 7/8, 1, 1 1/8

Standard Keyseats	
Bore-Range	Keyseat
1/2"	None
5/8 - 7/8	3/16 X 3/32

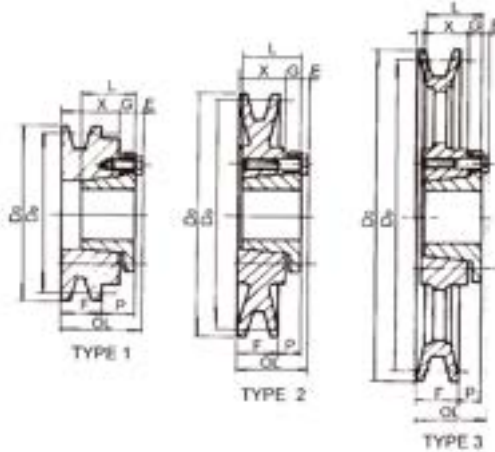
AVL and AVP sheaves are precision machined from gray cast iron, statically balanced, epoxy powder coating and individually packaged. Sheaves are furnished with standard keyways & set screws.





# SHEAVE

## Light Duty QD Sheaves



Single Groove  
Sheaves for  
"3 L" "4 L" &  
"A" Belts



For All Sheaves:

F = 3/4  
L = 1 1/4  
G = 7/16  
E = 3/16

### Stock H Bushings

Stock Bores	Keyseat
3/8"	None
7/16	None
1/2	1/8" x 1/16"
9/16	1/8 x 1/16
5/8	3/16 x 1/32
11/16	3/16 x 1/32
3/4	3/16 x 1/32
13/16	3/16 x 1/32
7/8	3/16 x 1/32
15/16	1/4 x 1/8
1	1/4 x 1/8
1 1/16	1/4 x 1/8
1 1/8	1/4 x 1/8
1 1/4	1/4 x 1/8
1 1/2	5/16 x 1/16
1 5/8	5/16 x 1/16
1 7/8	3/8 x 1/16
1 1/2	3/8 x 1/16

\*Indicates shallow keyseat-  
keystock is supplied with bushing

Part No.	Diameters(in.)			Type	Dimensions(in.)		
	D <sub>0</sub>	D <sub>p</sub>			O.L.	P	X
		"3 L"	"4L+A"				
AK30H	3.05	2.46	2.80	1	1 13/16	7/8	1 3/16
AK32H	3.25	2.66	3.00	1	1 13/16	7/8	1 3/16
AK34H	3.45	2.86	3.20	2	1 1/2	9/16	7/8
AK39H	3.75	3.16	3.50	2	1 1/2	9/16	7/8
AK41H	3.95	3.36	3.70	2	1 1/2	9/16	7/8
AK44H	4.25	3.66	4.00	2	1 1/2	9/16	7/8
AK46H	4.45	3.86	4.20	2	1 1/2	9/16	7/8
AK49H	4.75	4.16	4.50	2	1 1/2	9/16	7/8
AK51H	4.95	4.36	4.70	2	1 1/2	9/16	7/8
AK54H	5.25	4.66	5.00	2	1 1/2	9/16	7/8
AK56H	5.45	4.86	5.20	2	1 1/2	9/16	7/8
AK59H	5.75	5.16	5.50	2	1 1/2	9/16	7/8
AK61H	5.95	5.36	5.70	3	1 1/2	9/16	7/8
AK64H	6.25	5.66	6.00	3	1 1/2	9/16	7/8
AK66H	6.45	5.86	6.20	3	1 1/2	9/16	7/8
AK69H	6.75	6.16	6.50	3	1 1/2	9/16	7/8
AK71H	6.95	6.36	6.70	3	1 1/2	9/16	7/8
AK74H	7.25	6.66	7.00	3	1 1/2	9/16	7/8
AK79H	7.75	7.16	7.50	3	1 1/2	9/16	7/8
AK84H	8.25	7.66	8.00	3	1 1/2	9/16	7/8
AK89H	8.75	8.16	8.50	3	1 1/2	9/16	7/8
AK94H	9.25	8.66	9.00	3	1 1/2	9/16	7/8
AK99H	9.75	9.16	9.50	3	1 1/2	9/16	7/8
AK104H	10.25	9.66	10.00	3	1 1/2	9/16	7/8
AK109H	10.75	10.16	10.50	3	1 1/2	9/16	7/8
AK114H	11.25	10.66	11.00	3	1 1/2	9/16	7/8
AK124H	12.25	11.66	12.00	3	1 1/2	9/16	7/8
AK134H	13.25	12.66	13.00	3	1 1/2	9/16	7/8
AK144H	14.25	13.66	14.00	3	1 1/2	9/16	7/8
AK154H	15.25	14.66	15.00	3	1 1/2	9/16	7/8
AK184H	18.25	17.66	18.00	3	1 1/2	9/16	7/8

AKH sheaves are precision machined from gray cast iron, statically balanced, epoxy powder coating and individually packaged.

### Millimeter Bores

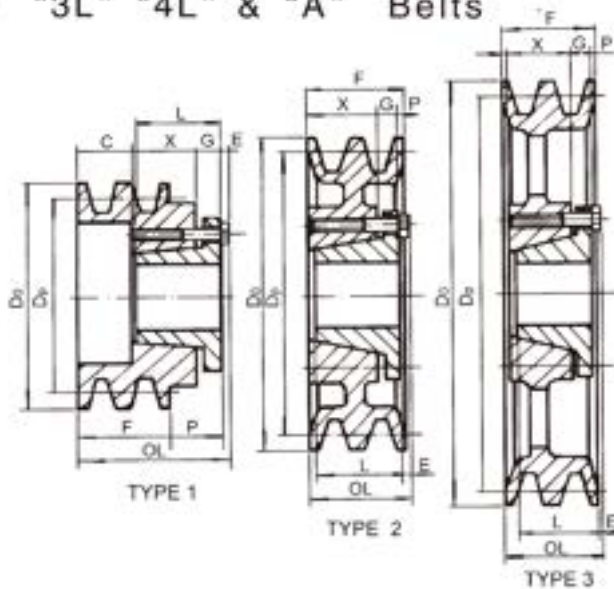
Stock Bores	Keyseat
10mm	None
11mm	None
14mm	5mm x 5mm
15mm	5mm x 5mm
16mm	5mm x 5mm
18mm	6mm x 6mm
19mm	6mm x 6mm
20mm	6mm x 6mm
22mm	6mm x 6mm
24mm	8mm x 7mm
25mm	8mm x 7mm
28mm	8mm x 7mm
30mm	8mm x 7mm
32mm	10mm x 7mm
35mm	10mm x 7mm
38mm	10mm x 7mm



# SHEAVE

## Light Duty QD Sheaves

Two Groove Sheaves  
for "3L" "4L" & "A" Belts



**For All Sheaves:**  
 F = 13/16  
 L = 1 1/4  
 X = 7/8  
 G = 7/16  
 E = 3/16

### Stock H Bushings

Stock Bores	Keyseat
3/16"	None
7/16"	None
1/2"	1/8" x 1/16"
9/16"	1/8 x 1/16
5/8"	3/16 x 3/32
11/16"	3/16 x 3/32
3/4"	3/16 x 3/32
13/16"	3/16 x 3/32
7/8"	3/16 x 3/32
15/16"	1/4 x 1/8
1"	1/4 x 1/8
1 1/16"	1/4 x 1/8
1 1/8"	1/4 x 1/8
1 1/4"	1/4 x 1/8
1 1/2"	3/8 x 1/16
1 5/8"	3/8 x 1/16
1 3/4"	3/8 x 1/16
1 7/8"	3/8 x 1/16
1 1/2"	3/8 x 1/16

\*Indicates shallow keyseat-keystock is supplied with bushing

Part No.	Diameters(in.)			Type	Dimensions(in.)		
	D <sub>0</sub>	D <sub>p</sub>			O.L.	P	C
		"3L"	"4L+A"				
2AK30H	3.05	2.46	2.80	1	2 7/16	7/8	15/16
2AK32H	3.25	2.66	3.00	1	2 7/16	7/8	15/16
2AK34H	3.45	2.86	3.20	1	2	7/16	1/2
2AK39H	3.75	3.16	3.50	1	2	7/16	1/2
2AK41H	3.95	3.36	3.70	2	1 1/2	1/16	-
2AK44H	4.25	3.66	4.00	2	1 1/2	1/16	-
2AK46H	4.45	3.86	4.20	2	1 1/2	1/16	-
2AK49H	4.75	4.16	4.50	2	1 1/2	1/16	-
2AK51H	4.95	4.36	4.70	2	1 1/2	1/16	-
2AK54H	5.25	4.66	5.00	2	1 1/2	1/16	-
2AK56H	5.45	4.86	5.20	2	1 1/2	1/16	-
2AK59H	5.75	5.16	5.50	3	1 1/2	1/16	-
2AK61H	5.95	5.36	5.70	3	1 1/2	1/16	-
2AK64H	6.25	5.66	6.00	3	1 1/2	1/16	-
2AK74H	7.25	6.66	7.00	3	1 1/2	1/16	-
2AK84H	8.25	7.66	8.00	3	1 1/2	1/16	-
2AK94H	9.25	8.66	9.00	3	1 1/2	1/16	-
2AK104H	10.25	9.66	10.00	3	1 1/2	1/16	-
2AK114H	11.25	10.66	11.00	3	1 1/2	1/16	-
2AK124H	12.25	11.66	12.00	3	1 1/2	1/16	-
2AK134H	13.25	12.66	13.00	3	1 1/2	1/16	-
2AK144H	14.25	13.66	14.00	3	1 1/2	1/16	-
2AK154H	15.25	14.66	15.00	3	1 1/2	1/16	-
2AK184H	18.25	17.66	18.00	3	1 1/2	1/16	-

### Millimeter Bores

Stock Bores	Keyseat
10mm	None
11mm	None
14mm	5mm x 5mm
15mm	5mm x 5mm
16mm	5mm x 5mm
18mm	6mm x 6mm
19mm	6mm x 6mm
20mm	6mm x 6mm
22mm	6mm x 6mm
24mm	8mm x 7mm
25mm	8mm x 7mm
28mm	8mm x 7mm
30mm	8mm x 7mm
32mm	10mm x 7mm
35mm	10mm x 7mm
38mm	10mm x 7mm

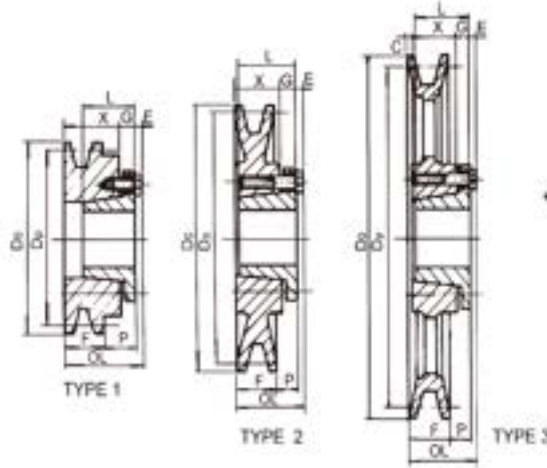
2AKH sheaves are precision machined from gray cast iron, statically balanced, epoxy powder coating and individually packaged.





# SHEAVE

## Light Duty QD Sheaves



Single Groove  
Sheaves for  
"4L" "5L" "A"  
"B" Belts



For All Sheaves:

F = 3/4  
L = 1 1/4  
G = 7/16  
E = 3/16

Part No.	Diameters(in.)			Type	Dimensions(in.)			
	D <sub>0</sub>	D <sub>p</sub>			O.L.	P	C	X
		"4L+A"	"5L+B"					
BK30H	3.15	2.40	2.80	1	1 1/16	7/8	-	15/16
BK32H	3.35	2.60	3.00	1	1 1/16	7/8	-	15/16
BK34H	3.55	2.80	3.20	1	1 1/16	7/8	-	15/16
BK36H	3.75	3.00	3.40	2	1 1/2	7/16	-	7/8
BK40H	3.95	3.20	3.60	2	1 1/2	7/16	-	7/8
BK45H	4.25	3.50	3.90	2	1 1/2	7/16	-	7/8
BK47H	4.45	3.70	4.10	2	1 1/2	7/16	-	7/8
BK50H	4.75	4.00	4.40	2	1 1/2	7/16	-	7/8
BK52H	4.95	4.20	4.60	2	1 1/2	7/16	-	7/8
BK55H	5.25	4.50	4.90	2	1 1/2	7/16	-	7/8
BK57H	5.45	4.70	5.10	2	1 1/2	7/16	-	7/8
BK60H	5.75	5.00	5.40	2	1 1/2	7/16	-	7/8
BK62H	5.95	5.20	5.60	2	1 1/2	7/16	-	7/8
BK65H	6.25	5.50	5.90	2	1 1/2	7/16	-	7/8
BK67H	6.45	5.70	6.10	2	1 1/2	7/16	-	7/8
BK70H	6.75	6.00	6.40	3	1 9/16	1/2	1/16	7/8
BK72H	6.95	6.20	6.60	3	1 9/16	1/2	1/16	7/8
BK75H	7.25	6.50	6.90	3	1 9/16	1/2	1/16	7/8
BK77H	7.45	6.70	7.10	3	1 9/16	1/2	1/16	7/8
BK80H	7.75	7.00	7.40	3	1 9/16	1/2	1/16	7/8
BK85H	8.25	7.50	7.90	3	1 9/16	1/2	1/16	7/8
BK90H	8.75	8.00	8.40	3	1 9/16	1/2	1/16	7/8
BK95H	9.25	8.50	8.90	3	1 9/16	1/2	1/16	7/8
BK100H	9.75	9.00	9.40	3	1 9/16	1/2	1/16	7/8
BK105H	10.25	9.50	9.90	3	1 9/16	1/2	1/16	7/8
BK110H	10.75	10.00	10.40	3	1 9/16	1/2	1/16	7/8
BK115H	11.25	10.50	10.90	3	1 9/16	1/2	1/16	7/8
BK120H	11.75	11.00	11.40	3	1 9/16	1/2	1/16	7/8
BK130H	12.75	12.00	12.40	3	1 9/16	1/2	1/16	7/8
BK140H	13.75	13.00	13.40	3	1 9/16	1/2	1/16	7/8
BK150H	14.75	14.00	14.40	3	1 9/16	1/2	1/16	7/8
BK160H	15.75	15.00	15.40	3	1 9/16	1/2	1/16	7/8
BK190H	18.75	18.00	18.40	3	1 9/16	1/2	1/16	7/8

BKH sheaves are precision machined from gray cast iron, statically balanced, epoxy powder coating and individually packaged.

### Stock H Bushings

Stock Bores	Keyseat
3/16"	None
1/8"	None
1/2"	1/8" x 1/16"
9/16"	1/8 x 1/16
5/8"	3/16 x 1/32
11/16"	3/16 x 1/32
3/4"	3/16 x 1/32
13/16"	3/16 x 1/32
7/8"	3/16 x 1/32
1 1/16"	1/4 x 1/8
1 1/8"	1/4 x 1/8
1 1/16"	1/4 x 1/8
1 1/4"	1/4 x 1/8
1 5/16"	1/16 x 1/16"
1 3/8"	1/16 x 1/16"
1 7/16"	3/8 x 1/16"
1 1/2"	3/8 x 1/16"

\*Indicates shallow keyseat-keystock is supplied with bushing

### Millimeter Bores

Stock Bores	Keyseat
10mm	None
11mm	None
14mm	5mm x 5mm
15mm	5mm x 5mm
16mm	5mm x 5mm
18mm	6mm x 6mm
19mm	6mm x 6mm
20mm	6mm x 6mm
22mm	6mm x 6mm
24mm	8mm x 7mm
25mm	8mm x 7mm
28mm	8mm x 7mm
30mm	8mm x 7mm
32mm	10mm x 7mm
35mm	10mm x 7mm
38mm	10mm x 7mm

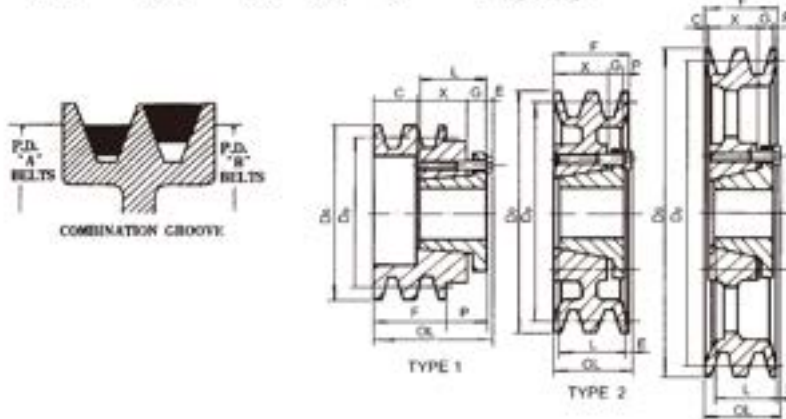




# SHEAVE

## Light Duty QD Sheaves

Two Groove Sheaves for  
"4L" "5L" "A" & "B" Belts



### Stock H Bushings

Stock Bores	Keyseat
3/8"	None
7/16"	None
1/2"	1/8" x 1/16"
9/16"	1/8 x 1/16
5/8"	3/16 x 3/32
11/16"	3/16 x 3/32
3/4"	3/16 x 3/32
13/16"	3/16 x 3/32
7/8"	3/16 x 3/32
15/16"	1/4 x 1/8
1"	1/4 x 1/8
1 1/16"	1/4 x 1/8
1 1/8"	1/4 x 1/8
1 1/4"	1/4 x 1/8
1 3/8"	1/4 x 1/8
1 1/2"	3/8 x 1/8
1 5/8"	3/8 x 1/8

\*Indicates shallow keyseat-  
keystock is supplied with bushing

For All Sheaves:

- F = 13/8
- L = 1 1/4
- X = 7/8
- G = 7/16
- E = 3/16

Part No.	Diameters(in.)		Type	Dimensions(in.)			
	D <sub>0</sub>	D <sub>p</sub>		O.L.	P	C	
		"4L+A"					"5L+B"
2BK32H	3.35	2.60	3.00	1	2 13/16	7/8	1 1/16
2BK34H	3.55	2.80	3.20	1	2 13/16	7/8	1 1/16
2BK36H	3.75	3.00	3.40	1	2 1/2	7/8	7/8
2BK40H	3.95	3.20	3.60	1	2 1/2	7/8	7/8
2BK45H	4.25	3.50	3.90	1	2 1/2	7/8	7/8
2BK47H	4.45	3.70	4.10	2	1 3/4	7/16	-
2BK50H	4.75	4.00	4.40	2	1 3/4	7/16	-
2BK52H	4.95	4.20	4.60	2	1 3/4	7/16	-
2BK55H	5.25	4.50	4.90	2	1 3/4	7/16	-
2BK57H	5.45	4.70	5.10	2	1 3/4	7/16	-
2BK60H	5.75	5.00	5.40	2	1 3/4	7/16	-
2BK62H	5.95	5.20	5.60	2	1 3/4	7/16	-
2BK65H	6.25	5.50	5.90	3	1 3/4	7/16	1/4
2BK67H	6.45	5.70	6.10	3	1 3/4	7/16	1/4
2BK70H	6.75	6.00	6.40	3	1 3/4	7/16	1/4
2BK80H	7.75	7.00	7.40	3	1 3/4	7/16	1/4
2BK90H	8.75	8.00	8.40	3	1 3/4	7/16	1/4
2BK100H	9.75	9.00	9.40	3	1 3/4	7/16	1/4
2BK110H	10.75	10.00	10.40	3	1 3/4	7/16	1/16
2BK120H	11.75	11.00	11.40	3	1 3/4	7/16	1/16
2BK130H	12.75	12.00	12.40	3	1 3/4	7/16	1/16
2BK140H	13.75	13.00	13.40	3	1 3/4	7/16	1/16
2BK160H	15.75	15.00	15.40	3	1 3/4	7/16	1/16
2BK190H	18.75	18.00	18.40	3	1 3/4	7/16	1/16

2BKH sheaves are precision machined from gray cast iron, statically balanced, epoxy powder coating and individually packaged.

### Millimeter Bores

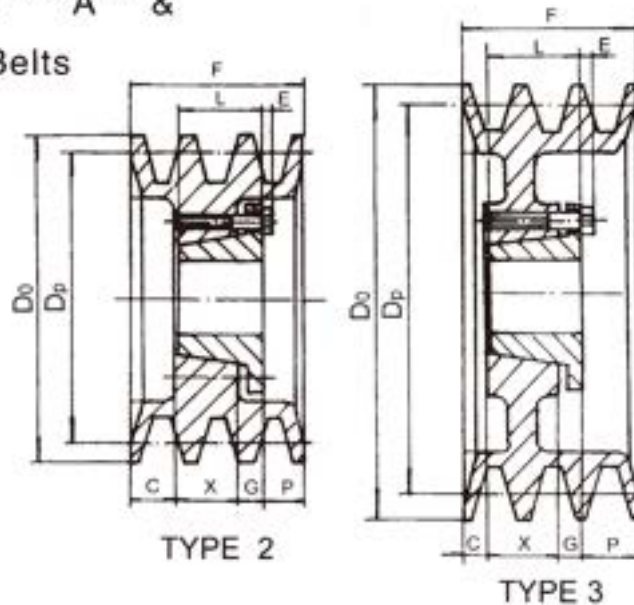
Stock Bores	Keyseat
10mm	None
11mm	None
14mm	5mm x 5mm
15mm	5mm x 5mm
16mm	5mm x 5mm
18mm	6mm x 6mm
19mm	6mm x 6mm
20mm	6mm x 6mm
22mm	6mm x 6mm
24mm	8mm x 7mm
25mm	8mm x 7mm
28mm	8mm x 7mm
30mm	8mm x 7mm
32mm	10mm x 7mm
35mm	10mm x 7mm
38mm	10mm x 7mm



# SHEAVE

## Light Duty QD Sheaves

Three Groove Sheaves for  
 "4 L" "5 L" "A" &  
 "B" Belts



Part No.	Diameters(in.)			Type	Dimensions(in.)							
	D <sub>0</sub>	D <sub>p</sub>			F	L	P	C	X	G	E	
		"4L+A"	"5L+B"									
3BK45H	4.25	3.50	3.90	2	2 1/2	1 1/4	1/2	1 1/16	7/8	7/16	3/16	
3BK47H	4.45	3.70	4.10	2	2 1/2	1 1/4	1/2	1 1/16	7/8	7/16	3/16	
3BK50H	4.75	4.00	4.40	2	2 1/2	1 1/4	1/2	1 1/16	7/8	7/16	3/16	
3BK52H	4.95	4.20	4.60	2	2 1/2	1 1/4	1/2	1 1/16	7/8	7/16	3/16	
3BK55H	5.25	4.50	4.90	2	2 1/2	1 1/4	1/2	1 1/16	7/8	7/16	3/16	
3BK57H	5.45	4.70	5.10	2	2 1/2	1 1/4	1/2	1 1/16	7/8	7/16	3/16	
3BK60H	5.75	5.00	5.40	3	2 1/2	1 1/4	1/2	1 1/16	7/8	7/16	3/16	
3BK62H	5.95	5.20	5.60	3	2 1/2	1 1/4	1/2	1 1/16	7/8	7/16	3/16	
3BK65H	6.25	5.50	5.90	3	2 1/2	1 1/4	29/32	9/32	7/8	7/16	3/16	
3BK67H	6.45	5.70	6.10	3	2 1/2	1 1/4	29/32	9/32	7/8	7/16	3/16	
3BK70H	6.75	6.00	6.40	3	2 1/2	1 1/4	29/32	9/32	7/8	7/16	3/16	
3BK80H	7.75	7.00	7.40	3	2 1/2	1 1/4	27/32	11/32	7/8	7/16	3/16	
3BK90H	8.75	8.00	8.40	3	2 1/2	1 1/4	27/32	11/32	7/8	7/16	3/16	
3BK100H	9.75	9.00	9.40	3	2 1/2	1 1/4	27/32	11/32	7/8	7/16	3/16	
3BK110H	10.75	10.00	10.40	3	2 1/2	1 1/4	27/32	11/32	7/8	7/16	3/16	
3BK120H	11.75	11.00	11.40	3	2 1/2	1 1/4	27/32	11/32	7/8	7/16	3/16	
3BK130H	12.75	12.00	12.40	3	2 1/2	1 1/4	29/32	13/32	7/8	7/16	3/16	
3BK140H	13.75	13.00	13.40	3	2 1/2	1 1/4	29/32	13/32	7/8	7/16	3/16	
3BK160H	15.75	15.00	15.40	3	2 1/2	1 1/4	29/32	13/32	7/8	7/16	3/16	
3BK190H	18.75	18.00	18.40	3	2 1/2	1 1/4	29/32	13/32	7/8	7/16	3/16	

3BKH sheaves are precision machined from gray cast iron, statically balanced, epoxy powder coating and individually packaged.

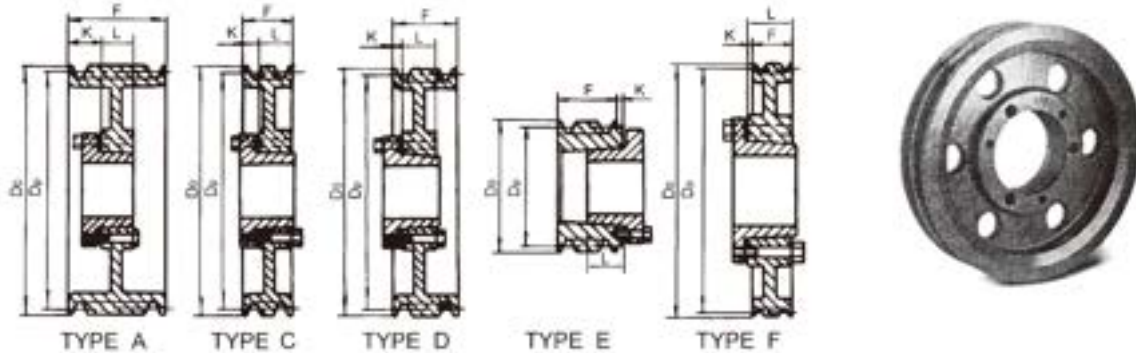




# S H E A V E

## Heavy Duty QD Sheaves

### One and Two Groove QD A-B Sheaves



D <sub>o</sub>	D <sub>p</sub>		1 Groove F=7/8 thru 1B64 SDS/F=1					2 Groove F=1				
	A	B	Part No.	Bush	Type*	K	L	Part No.	Bush	Type*	K	L
3.75"	3.00"	3.40"	1B34SH	SH	D-1	0"	1 1/16"	2B34SH	SH	E-1	0"	1 1/16"
3.95	3.20	3.60	1B36SH	SH	D-1	0	1 1/16	2B36SH	SH	D-1	3/16	1 1/16
4.15	3.40	3.80	1B38SH	SH	D-1	0	1 1/16	2B38SH	SH	D-1	3/16	1 1/16
4.35	3.60	4.00	1B40SH	SH	C-1	1/16	1 1/16	2B40SH	SH	A-1	11/16	1 1/16
4.55	3.80	4.20	1B42SH	SH	C-1	1/16	1 1/16	2B42SH	SH	A-1	11/16	1 1/16
4.75	4.00	4.40	1B44SH	SH	C-1	1/16	1 1/16	2B44SH	SH	A-1	11/16	1 1/16
4.95	4.20	4.60	1B46SDS	SDS	C-1	1/8	1 1/16	2B46SDS	SDS	A-1	11/16	1 1/16
5.15	4.40	4.80	1B48SDS	SDS	C-1	1/8	1 1/16	2B48SDS	SDS	A-1	11/16	1 1/16
5.35	4.60	5.00	1B50SDS	SDS	C-1	1/8	1 1/16	2B50SDS	SDS	A-1	11/16	1 1/16
5.55	4.80	5.20	1B52SDS	SDS	C-1	1/8	1 1/16	2B52SDS	SDS	A-1	11/16	1 1/16
5.75	5.00	5.40	1B54SDS	SDS	C-1	1/8	1 1/16	2B54SDS	SDS	A-1	11/16	1 1/16
5.95	5.20	5.60	1B56SDS	SDS	C-1	1/8	1 1/16	2B56SDS	SDS	A-1	11/16	1 1/16
6.15	5.40	5.80	1B58SDS	SDS	C-1	1/8	1 1/16	2B58SDS	SDS	A-1	11/16	1 1/16
6.35	5.60	6.00	1B60SDS	SDS	C-2	1/8	1 1/16	2B60SDS	SDS	A-2	11/16	1 1/16
6.55	5.80	6.20	1B62SDS	SDS	C-2	1/8	1 1/16	2B62SDS	SDS	A-2	11/16	1 1/16
6.75	6.00	6.40	1B64SDS	SDS	C-2	1/8	1 1/16	2B64SDS	SDS	A-2	11/16	1 1/16
6.95	6.20	6.60	1B66SDS	SDS	C-2	1/4	1 1/16	2B66SDS	SDS	A-2	11/16	1 1/16
7.15	6.40	6.80	1B68SDS	SDS	C-2	1/4	1 1/16	2B68SDS	SDS	A-2	11/16	1 1/16
7.35	6.60	7.00	1B70SDS	SDS	C-2	1/4	1 1/16	2B70SK	SK	D-2	7/16	1 1/16
7.75	7.00	7.40	1B74SDS	SDS	C-2	1/4	1 1/16	2B74SK	SK	D-2	7/16	1 1/16
8.35	7.60	8.00	1B80SDS	SDS	C-2	1/4	1 1/16	2B80SK	SK	D-2	7/16	1 1/16
8.95	8.20	8.60	1B86SDS	SDS	C-3	1/4	1 1/16	2B86SK	SK	D-3	7/16	1 1/16
9.75	9.00	9.40	1B94SDS	SDS	C-3	1/4	1 1/16	2B94SK	SK	D-3	7/16	1 1/16
11.35	10.60	11.00	1B110SDS	SDS	C-3	1/4	1 1/16	2B110SK	SK	D-3	7/16	1 1/16
12.75	12.00	12.40	1B124SDS	SDS	C-3	1/4	1 1/16	2B124SK	SK	D-3	7/16	1 1/16
13.95	13.20	13.60	1B136SDS	SDS	C-3	1/4	1 1/16	2B136SK	SK	D-3	7/16	1 1/16
15.75	15.00	15.40	1B154SK	SK	F-3	1/4	1 1/16	2B154SK	SK	D-3	7/16	1 1/16
16.35	15.60	16.00	1B160SK	SK	F-3	1/4	1 1/16	2B160SK	SK	D-3	7/16	1 1/16
18.75	18.00	18.40	1B184SK	SK	F-3	1/4	1 1/16	2B184SK	SK	D-3	7/16	1 1/16
20.35	19.60	20.00	1B200SK	SK	F-3	1/4	1 1/16	2B200SF	SF	D-3	3/8	2 1/16
25.35	24.60	25.00						2B250SF	SF	D-3	3/8	2 1/16
30.35	29.60	30.00						2B300SF	SF	D-3	3/8	2 1/16
38.35	37.60	38.00						2B380SF	SF	D-3	3/8	2 1/16

\*Suffix on Type indicates construction:  
1=Solid 2=Web 3=Arm/Spoke

sheaves are precision machined from gray cast iron, statically balanced, epoxy powder coating and individually packaged or lagged.

Order bushings separately from page B - 1.

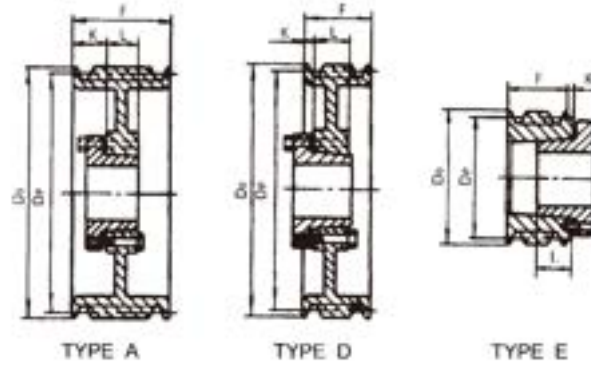




# SHEAVE

## Heavy Duty QD Sheaves

### Three and Four Groove QD A-B Sheaves



D <sub>0</sub>	D <sub>p</sub>		3 Groove F=2 1/2					4 Groove F=3 1/4				
	A	B	Part No.	Bush	Type*	K	L	Part No.	Bush	Type*	K	L
3.75"	3.00"	3.40"	3B34SH	SH	E-1	0"	1 1/16"	4B34SD	SD	E-1	5/16"	1 1/16"
3.95	3.20	3.60	3B36SH	SH	D-1	3/16	1 1/16	4B36SD	SD	E-1	1/16	1 1/16
4.15	3.40	3.80	3B38SH	SH	D-1	3/16	1 1/16	4B38SD	SD	E-1	1/16	1 1/16
4.35	3.60	4.00	3B40SH	SH	A-1	1 1/16	1 1/16	4B40SD	SD	E-1	0	1 1/16
4.55	3.80	4.20	3B42SH	SH	A-1	1 1/16	1 1/16	4B42SD	SD	E-1	0	1 1/16
4.75	4.00	4.40	3B44SH	SH	A-1	1 1/16	1 1/16	4B44SD	SD	E-1	0	1 1/16
4.95	4.20	4.60	3B46SD	SD	A-1	1 1/16	1 1/16	4B46SD	SD	A-1	1 1/16	1 1/16
5.15	4.40	4.80	3B48SD	SD	A-1	1 1/16	1 1/16	4B48SD	SD	A-1	1 1/16	1 1/16
5.35	4.60	5.00	3B50SD	SD	A-1	1 1/16	1 1/16	4B50SD	SD	A-1	1 1/16	1 1/16
5.55	4.80	5.20	3B52SD	SD	A-1	1 1/16	1 1/16	4B52SD	SD	A-1	1 1/16	1 1/16
5.75	5.00	5.40	3B54SD	SD	A-1	1 1/16	1 1/16	4B54SD	SD	A-1	1 1/16	1 1/16
5.95	5.20	5.60	3B56SD	SD	A-1	1 1/16	1 1/16	4B56SD	SD	A-1	1 1/16	1 1/16
6.15	5.40	5.80	3B58SD	SD	A-1	1 1/16	1 1/16	4B58SD	SD	A-1	1 1/16	1 1/16
6.35	5.60	6.00	3B60SD	SD	A-1	1 1/16	1 1/16	4B60SD	SD	A-1	1 1/16	1 1/16
6.55	5.80	6.20	3B62SD	SD	A-2	1 1/16	1 1/16	4B62SD	SD	A-2	1 1/16	1 1/16
6.75	6.00	6.40	3B64SD	SD	A-2	1 1/16	1 1/16	4B64SD	SD	A-2	1 1/16	1 1/16
6.95	6.20	6.60	3B66SD	SD	A-2	1 1/16	1 1/16	4B66SD	SD	A-2	1 1/16	1 1/16
7.15	6.40	6.80	3B68SD	SD	A-2	1 1/16	1 1/16	4B68SD	SD	A-2	1 1/16	1 1/16
7.35	6.60	7.00	3B70SK	SK	A-2	1 1/16	1 1/16	4B70SK	SK	A-2	1	1 1/16
7.75	7.00	7.40	3B74SK	SK	A-2	1 1/16	1 1/16	4B74SK	SK	A-2	1	1 1/16
8.35	7.60	8.00	3B80SK	SK	A-2	1 1/16	1 1/16	4B80SK	SK	A-2	1	1 1/16
8.95	8.20	8.60	3B86SK	SK	A-3	1 1/16	1 1/16	4B86SK	SK	A-2	1	1 1/16
9.75	9.00	9.40	3B94SK	SK	A-3	1 1/16	1 1/16	4B94SK	SK	A-3	1	1 1/16
11.35	10.60	11.00	3B110SK	SK	A-3	1 1/16	1 1/16	4B110SK	SK	A-3	1	1 1/16
12.75	12.00	12.40	3B124SK	SK	A-3	1 1/16	1 1/16	4B124SK	SK	A-3	1	1 1/16
13.95	13.20	13.60	3B136SK	SK	A-3	1 1/16	1 1/16	4B136SK	SK	A-3	1	1 1/16
15.75	15.00	15.40	3B154SK	SK	A-3	1 1/16	1 1/16	4B154SF	SF	A-3	1	2 1/16
16.35	15.60	16.00	3B160SK	SK	A-3	1 1/16	1 1/16	4B160SF	SF	A-3	1	2 1/16
18.75	18.00	18.40	3B184SK	SK	A-3	1 1/16	1 1/16	4B184SF	SF	A-3	1	2 1/16
20.35	19.60	20.00	3B200SF	SF	D-3	5/8	2 1/16	4B200SF	SF	A-3	1	2 1/16
25.35	24.60	25.00	3B250SF	SF	D-3	5/8	2 1/16	4B250E	E	A-3	1	2 1/4
30.35	29.60	30.00	3B300SF	SF	D-3	5/8	2 1/16	4B300E	E	A-3	1	2 1/4
38.35	37.60	38.00	3B380E	E	D-3	5/8	2 1/4	4B380E	E	A-3	1	2 1/4

\*Suffix on Type indicates construction:  
1=Solid 2=Web 3=Arm/Spoke

sheaves are precision machined from gray cast iron, statically balanced, epoxy powder coating and individually packaged or lagged.

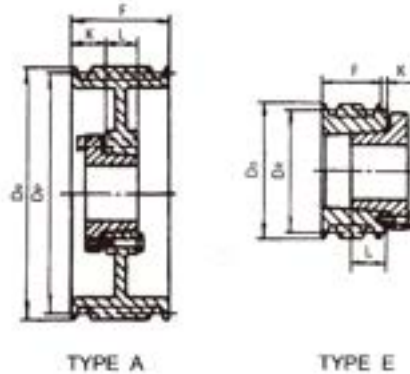
Order bushings separately from page B - 1.



# S H E A V E

## Heavy Duty QD Sheaves

### Five and Six Groove QD A-B Sheaves



D <sub>o</sub>	D <sub>p</sub>		5 Groove F=4					6 Groove F=43/4				
	A	B	Part No.	Bush	Type*	K	L	Part No.	Bush	Type*	K	L
3.75"	3.00"	3.40"	5B34SD	SD	E-1	1/16"	1 13/16"	6B34SD	SD	E-1	1/16"	1 13/16"
3.95	3.20	3.60	5B36SD	SD	E-1	1/16	1 13/16	6B36SD	SD	E-1	1/16	1 13/16
4.15	3.40	3.80	5B38SD	SD	E-1	1/16	1 13/16	6B38SD	SD	E-1	1/16	1 13/16
4.35	3.60	4.00	5B40SD	SD	E-1	0	1 13/16	6B40SD	SD	E-1	0	1 13/16
4.55	3.80	4.20	5B42SD	SD	E-1	0	1 13/16	6B42SD	SD	E-1	0	1 13/16
4.75	4.00	4.40	5B44SD	SD	E-1	0	1 13/16	6B44SD	SD	E-1	0	1 13/16
4.95	4.20	4.60	5B46SD	SD	A-1	1 1/16	1 13/16	6B46SD	SD	A-1	1 1/16	1 13/16
5.15	4.40	4.80	5B48SD	SD	A-1	1 1/16	1 13/16	6B48SD	SD	A-1	1 1/16	1 13/16
5.35	4.60	5.00	5B50SD	SD	A-1	1 1/16	1 13/16	6B50SD	SD	A-1	1 1/16	1 13/16
5.55	4.80	5.20	5B52SD	SD	A-1	1 1/16	1 13/16	6B52SD	SD	A-1	1 1/16	1 13/16
5.75	5.00	5.40	5B54SK	SK	A-1	1 1/16	1 13/16	6B54SK	SK	A-1	1 1/16	1 13/16
5.95	5.20	5.60	5B56SK	SK	A-1	1 1/16	1 13/16	6B56SK	SK	A-1	1 1/16	1 13/16
6.15	5.40	5.80	5B58SK	SK	A-1	1 1/16	1 13/16	6B58SK	SK	A-1	1 1/16	1 13/16
6.35	5.60	6.00	5B60SK	SK	A-1	1 1/16	1 13/16	6B60SK	SK	A-1	1 1/16	1 13/16
6.55	5.80	6.20	5B62SK	SK	A-1	1 1/16	1 13/16	6B62SK	SK	A-1	1 1/16	1 13/16
6.75	6.00	6.40	5B64SK	SK	A-1	1 1/16	1 13/16	6B64SK	SK	A-1	1 1/16	1 13/16
6.95	6.20	6.60	5B66SK	SK	A-1	1 1/16	1 13/16	6B66SK	SK	A-1	1 1/16	1 13/16
7.15	6.40	6.80	5B68SK	SK	A-1	1 1/16	1 13/16	6B68SK	SK	A-1	1 1/16	1 13/16
7.35	6.60	7.00	5B70SF	SF	A-1	1 1/16	2 1/16	6B70SF	SF	A-1	1 1/16	2 1/16
7.75	7.00	7.40	5B74SF	SF	A-1	1 1/16	2 1/16	6B74SF	SF	A-2	1 1/16	2 1/16
8.35	7.60	8.00	5B80SF	SF	A-2	1 1/16	2 1/16	6B80SF	SF	A-2	1 1/16	2 1/16
8.95	8.20	8.60	5B86SF	SF	A-2	1 1/16	2 1/16	6B86SF	SF	A-2	1 1/16	2 1/16
9.75	9.00	9.40	5B94SF	SF	A-2	1 1/16	2 1/16	6B94SF	SF	A-2	1 1/16	2 1/16
11.35	10.60	11.00	5B110SF	SF	A-3	1 1/16	2 1/16	6B110SF	SF	A-3	1 1/16	2 1/16
12.75	12.00	12.40	5B124SF	SF	A-3	1 1/16	2 1/16	6B124SF	SF	A-3	1 1/16	2 1/16
13.95	13.20	13.60	5B136SF	SF	A-3	1 1/16	2 1/16	6B136SF	SF	A-3	1 1/16	2 1/16
15.75	15.00	15.40	5B154SF	SF	A-3	1 1/16	2 1/16	6B154SF	SF	A-3	1 1/16	2 1/16
16.35	15.60	16.00	5B160SF	SF	A-3	1 1/16	2 1/16	6B160SF	SF	A-3	1 1/16	2 1/16
18.75	18.00	18.40	5B184SF	SF	A-3	1 1/16	2 1/16	6B184SF	SF	A-3	1 1/16	2 1/16
20.35	19.60	20.00	5B200E	E	A-3	1 1/4	2 3/4	6B200E	E	A-3	1 1/4	2 3/4
25.35	24.60	25.00	5B250E	E	A-3	1 1/4	2 3/4	6B250E	E	A-3	1 1/4	2 3/4
30.35	29.60	30.00	5B300E	E	A-3	1 1/4	2 3/4	6B300E	E	A-3	1 1/4	2 3/4
38.35	37.60	38.00	5B380E	E	A-3	1 1/4	2 3/4	6B380E	E	A-3	1 1/4	2 3/4

\*Suffix on Type indicates construction:  
1=Solid 2=Web 3=Arm/Spoke

sheaves are precision machined from gray cast iron, statically balanced, epoxy powder coating and individually packaged or lagged.

Order bushings separately from page B - 1.

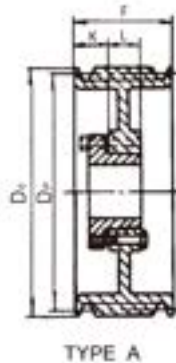




# S H E A V E

## Heavy Duty QD Sheaves

Eight and Ten Groove QD A-B Sheaves



D <sub>0</sub>	D <sub>p</sub>		8 Groove F=6 1/4				
	A	B	Part No.	Bush	Type*	K	L
5.75"	5.00"	5.40"	8B54SK	SK	A-1	1 13/16"	1 15/16"
5.95	5.20	5.60	8B56SK	SK	A-1	1 13/16	1 15/16
6.15	5.40	5.80	8B58SK	SK	A-1	1 13/16	1 15/16
6.35	5.60	6.00	8B60SK	SK	A-1	1 13/16	1 15/16
6.55	5.80	6.20	8B62SF	SF	A-1	1 13/16	2 1/16
6.75	6.00	6.40	8B64SF	SF	A-1	1 13/16	2 1/16
6.95	6.20	6.60	8B66SF	SF	A-1	1 13/16	2 1/16
7.15	6.40	6.80	8B68SF	SF	A-1	1 13/16	2 1/16
7.35	6.60	7.00	8B70SF	SF	A-1	1 13/16	2 1/16
7.75	7.00	7.40	8B74SF	SF	A-1	1 13/16	2 1/16
8.95	8.20	8.60	8B86E	E	A-1	2 3/4	2 3/4
9.75	9.00	9.40	8B94E	E	A-1	2 3/4	2 3/4
11.35	10.60	11.00	8B110E	E	A-2	2 3/4	2 3/4
12.75	12.00	12.40	8B124E	E	A-3	2 3/4	2 3/4
13.95	13.20	13.60	8B136E	E	A-3	2 3/4	2 3/4
15.75	15.00	15.40	8B154E	E	A-3	2 3/4	2 3/4
16.35	15.60	16.00	8B160E	E	A-3	2 3/4	2 3/4
18.75	18.00	18.40	8B184F	F	A-3	1 1/2	3 3/4
20.35	19.60	20.00	8B200F	F	A-3	1 1/2	3 3/4
25.35	24.60	25.00	8B250F	F	A-3	1 1/2	3 3/4
30.35	29.60	30.00	8B300F	F	A-3	1 1/2	3 3/4
38.35	37.60	38.00	8B380F	F	A-3	1 1/2	3 3/4

10 Groove F=7 3/4				
Part No.	Bush	Type*	K	L
10B54SK	SK	A-1	2 1/16"	1 15/16"
10B56SK	SK	A-1	2 1/16	1 15/16
10B58SK	SK	A-1	2 1/16	1 15/16
10B60SK	SK	A-1	2 1/16	1 15/16
10B62SF	SF	A-1	2 1/16	2 1/16
10B64SF	SF	A-1	2 1/16	2 1/16
10B66SF	SF	A-1	2 1/16	2 1/16
10B68SF	SF	A-1	2 1/16	2 1/16
10B70SF	SF	A-1	2 1/16	2 1/16
10B74SF	SF	A-1	2 1/16	2 1/16
10B86E	E	A-1	3 1/8	2 3/4
10B94E	E	A-2	3 1/8	2 3/4
10B110E	E	A-2	3 1/8	2 3/4
10B124E	E	A-3	3 1/8	2 3/4
10B136F	F	A-3	2 1/16	3 3/4
10B154F	F	A-3	2 1/16	3 3/4
10B160F	F	A-3	2 1/16	3 3/4
10B184F	F	A-3	2 1/16	3 3/4
10B200F	F	A-3	2 1/16	3 3/4
10B250F	F	A-3	2 1/16	3 3/4
10B300F	F	A-3	2 1/16	3 3/4
10B380J	J	A-3	1 1/2	4 1/2

\*Suffix on Type indicates construction:  
1=Solid 2=Web 3=Arm/Spoke

sheaves are precision machined from gray cast iron, statically balanced, epoxy powder coating and individually packaged or lagged.

Order bushings separately from page B - 1.

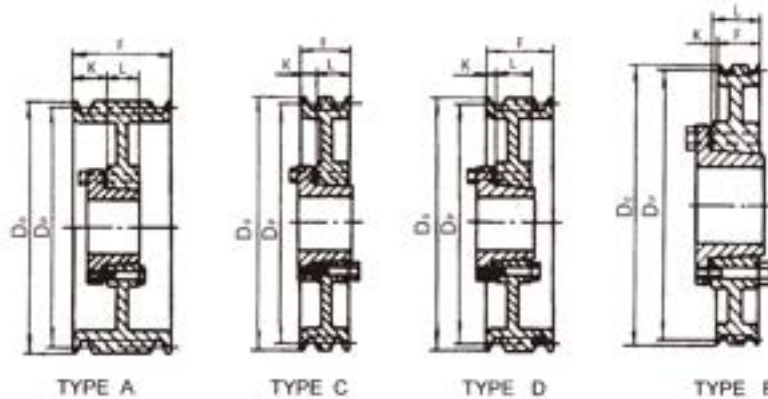




# SHEAVE

## Heavy Duty QD Sheaves

### One and Two Groove QD C Sheaves



Diameters		1 Groove F=13/8					2 Groove F=23/8				
D <sub>o</sub>	D <sub>p</sub>	Part No.	Bush	Type*	K	L	Part No.	Bush	Type*	K	L
6.40"	6.00"	1C60SK	SK	C-1	1/8"	1 11/16"	2C60SF	SF	A-1	1/8"	1 11/16"
7.40	7.00	1C70SF	SF	C-1	1/8	2 1/16	2C70SF	SF	A-1	13/16	2 1/16
7.90	7.50	1C75SF	SF	C-1	1/8	2 1/16	2C75SF	SF	A-1	13/16	2 1/16
8.40	8.00	1C80SF	SF	C-1	1/8	2 1/16	2C80SF	SF	A-1	13/16	2 1/16
8.90	8.50	1C85SF	SF	C-2	1/8	2 1/16	2C85SF	SF	A-2	13/16	2 1/16
9.40	9.00	1C90SF	SF	C-2	1/8	2 1/16	2C90SF	SF	A-2	13/16	2 1/16
9.90	9.50	1C95SF	SF	C-2	1/8	2 1/16	2C95SF	SF	A-2	13/16	2 1/16
10.40	10.00	1C100SF	SF	C-2	1/8	2 1/16	2C100SF	SF	A-2	13/16	2 1/16
10.90	10.50	1C105SF	SF	C-3	1/8	2 1/16	2C105SF	SF	A-3	13/16	2 1/16
11.40	11.00	1C110SF	SF	C-3	1/8	2 1/16	2C110SF	SF	A-3	13/16	2 1/16
12.40	12.00	1C120SF	SF	C-3	1/8	2 1/16	2C120SF	SF	D-3	9/16	2 1/16
13.40	13.00	1C130SF	SF	C-3	1/8	2 1/16	2C130SF	SF	D-3	9/16	2 1/16
14.40	14.00	1C140SF	SF	C-3	1/8	2 1/16	2C140SF	SF	D-3	9/16	2 1/16
15.40	15.00	1C150SF	SF	C-3	1/8	2 1/16	2C150SF	SF	D-3	9/16	2 1/16
16.40	16.00	1C160SF	SF	C-3	1/8	2 1/16	2C160SF	SF	D-3	9/16	2 1/16
18.40	18.00	1C180SF	SF	C-3	1/8	2 1/16	2C180SF	SF	D-3	9/16	2 1/16
20.40	20.00	1C200SF	SF	C-3	1/8	2 1/16	2C200SF	SF	D-3	9/16	2 1/16
24.40	24.00	1C240SF	SF	C-3	1/8	2 1/16	2C240SF	SF	D-3	9/16	2 1/16
27.40	27.00						2C270F	F	F-3	1/2	3 1/4
30.40	30.00						2C300F	F	F-3	1/2	3 1/4

\*Suffix on Type indicates construction:  
1=Solid 2=Web 3=Arm/Spoke

sheaves are precision machined from gray cast iron, statically balanced, epoxy powder coating and individually packaged or lagged.

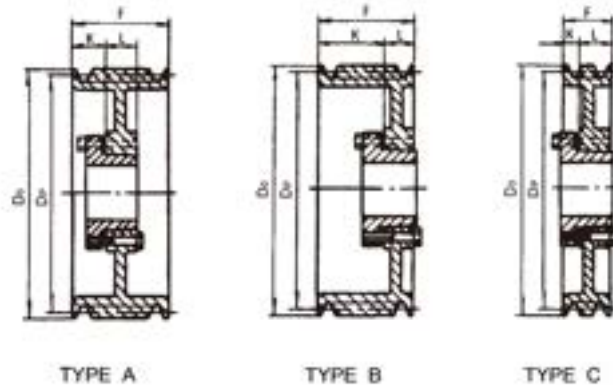
Order bushings separately from page B - 1.



# S H E A V E

## Heavy Duty QD Sheaves

### Three and Four Groove QD C Sheaves



Diameters		3 Groove F= 3 3/8					4 Groove F= 4 3/8				
D <sub>o</sub>	D <sub>p</sub>	Part No.	Bush	Type*	K	L	Part No.	Bush	Type*	K	L
5.40*	5.00*	3C50SD	SD	A-1	1 1/4"	1 13/16"	4C50SD	SD	A-1	1 1/4"	1 13/16"
5.80	5.40	3C54SD	SD	A-1	1 15/16	1 15/16	4C54SD	SD	A-1	1 15/16	1 15/16
5.90	5.50	3C55SD	SD	A-1	1 15/16	1 15/16	4C55SD	SD	A-1	1 15/16	1 15/16
6.00	5.60	3C56SD	SD	A-1	1 15/16	1 15/16	4C56SD	SD	A-1	1 15/16	1 15/16
6.40	6.00	3C60SF	SF	A-1	7/8	1 15/16	4C60SF	SF	A-1	7/8	1 15/16
7.40	7.00	3C70SF	SF	A-1	1 15/16	2 1/16	4C70SF	SF	A-1	1 15/16	2 1/16
7.90	7.50	3C75SF	SF	A-1	1 15/16	2 1/16	4C75SF	SF	A-1	1 15/16	2 1/16
8.40	8.00	3C80E	E	B-1	1 1/4	2 3/4	4C80E	E	A-1	2	2 3/4
8.90	8.50	3C85E	E	B-1	1 1/4	2 3/4	4C85E	E	A-1	2	2 3/4
9.40	9.00	3C90E	E	B-1	1 1/4	2 3/4	4C90E	E	A-1	2	2 3/4
9.90	9.50	3C95E	E	B-1	1 1/4	2 3/4	4C95E	E	A-1	2	2 3/4
10.40	10.00	3C100E	E	B-2	1 1/4	2 3/4	4C100E	E	A-2	2	2 3/4
10.90	10.50	3C105E	E	B-2	1 1/4	2 3/4	4C105E	E	A-2	2	2 3/4
11.40	11.00	3C110E	E	B-3	1 1/4	2 3/4	4C110E	E	A-3	2	2 3/4
12.40	12.00	3C120E	E	B-3	1 1/4	2 3/4	4C120E	E	A-3	2	2 3/4
13.40	13.00	3C130E	E	B-3	1 1/4	2 3/4	4C130E	E	A-3	2	2 3/4
14.40	14.00	3C140E	E	B-3	1 1/4	2 3/4	4C140E	E	A-3	2	2 3/4
15.40	15.00	3C150E	E	B-3	1 1/4	2 3/4	4C150E	E	A-3	2	2 3/4
16.40	16.00	3C160E	E	B-3	1 1/4	2 3/4	4C160E	E	A-3	2	2 3/4
18.40	18.00	3C180E	E	B-3	1 1/4	2 3/4	4C180E	E	A-3	2	2 3/4
20.40	20.00	3C200E	E	A-3	1	2 3/4	4C200E	E	A-3	1 1/2	2 3/4
24.40	24.00	3C240E	E	A-3	1	2 3/4	4C240F	F	A-3	1 1/16	3 3/4
27.40	27.00	3C270F	F	C-3	1 1/8	3 3/4	4C270F	F	A-3	1 1/16	3 3/4
30.40	30.00	3C300F	F	C-3	1 1/8	3 3/4	4C300F	F	A-3	1 1/16	3 3/4
36.40	36.00	3C360F	F	C-3	7/8	3 3/4	4C360F	F	A-3	1 1/16	3 3/4
44.40	44.00	3C440F	F	C-3	1 3/16	3 3/4	4C440J	J	A-3	1 1/16	4 5/8
50.40	50.00	3C500F	F	C-3	1 3/16	3 3/4	4C500J	J	A-3	1 1/16	4 5/8

\*Suffix on Type indicates construction:  
 1=Solid 2=Web 3=Arm/Spoke

sheaves are precision machined from gray cast iron, statically balanced, epoxy powder coating and individually packaged or lagged.

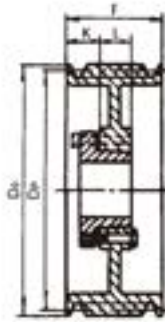
Order bushings separately from page B - 1.



# S H E A V E

## Heavy Duty QD Sheaves

### Five and Six Groove QD C Sheaves



TYPE A



Diameters		5 Groove F=5 <sup>3</sup> / <sub>8</sub>				
D <sub>o</sub>	D <sub>p</sub>	Part No.	Bush	Type*	K	L
6.40"	6.00"	5C60SF	SF	A-1	7/8"	1 <sup>1</sup> / <sub>16</sub> "
7.40	7.00	5C70SF	SF	A-1	1 <sup>1</sup> / <sub>16</sub>	2 <sup>1</sup> / <sub>16</sub>
7.90	7.50	5C75SF	SF	A-1	1 <sup>1</sup> / <sub>16</sub>	2 <sup>1</sup> / <sub>16</sub>
8.40	8.00	5C80E	E	A-1	2 <sup>1</sup> / <sub>16</sub>	2 <sup>1</sup> / <sub>16</sub>
8.90	8.50	5C85E	E	A-1	2 <sup>1</sup> / <sub>16</sub>	2 <sup>1</sup> / <sub>16</sub>
9.40	9.00	5C90E	E	A-1	2 <sup>1</sup> / <sub>16</sub>	2 <sup>1</sup> / <sub>16</sub>
9.90	9.50	5C95E	E	A-1	2 <sup>1</sup> / <sub>16</sub>	2 <sup>1</sup> / <sub>16</sub>
10.40	10.00	5C100E	E	A-2	2 <sup>1</sup> / <sub>16</sub>	2 <sup>1</sup> / <sub>16</sub>
10.90	10.50	5C105E	E	A-2	2 <sup>1</sup> / <sub>16</sub>	2 <sup>1</sup> / <sub>16</sub>
11.40	11.00	5C110E	E	A-3	2 <sup>1</sup> / <sub>16</sub>	2 <sup>1</sup> / <sub>16</sub>
12.40	12.00	5C120E	E	A-3	2 <sup>1</sup> / <sub>16</sub>	2 <sup>1</sup> / <sub>16</sub>
13.40	13.00	5C130E	E	A-3	2 <sup>1</sup> / <sub>16</sub>	2 <sup>1</sup> / <sub>16</sub>
14.40	14.00	5C140E	E	A-3	2 <sup>1</sup> / <sub>16</sub>	2 <sup>1</sup> / <sub>16</sub>
15.40	15.00	5C150E	E	A-3	2 <sup>1</sup> / <sub>16</sub>	2 <sup>1</sup> / <sub>16</sub>
16.40	16.00	5C160E	E	A-3	2 <sup>1</sup> / <sub>16</sub>	2 <sup>1</sup> / <sub>16</sub>
18.40	18.00	5C180E	E	A-3	2 <sup>1</sup> / <sub>16</sub>	2 <sup>1</sup> / <sub>16</sub>
20.40	20.00	5C200E	F	A-3	1 <sup>1</sup> / <sub>16</sub>	3 <sup>1</sup> / <sub>4</sub>
24.40	24.00	5C240E	F	A-3	1 <sup>1</sup> / <sub>16</sub>	3 <sup>1</sup> / <sub>4</sub>
27.40	27.00	5C270F	F	A-3	1 <sup>1</sup> / <sub>16</sub>	3 <sup>1</sup> / <sub>4</sub>
30.40	30.00	5C300F	F	A-3	1 <sup>1</sup> / <sub>16</sub>	3 <sup>1</sup> / <sub>4</sub>
36.40	36.00	5C360J	J	A-3	1 <sup>1</sup> / <sub>16</sub>	4 <sup>1</sup> / <sub>2</sub>
44.40	44.00	5C440J	J	A-3	1 <sup>1</sup> / <sub>16</sub>	4 <sup>1</sup> / <sub>2</sub>
50.40	50.00	5C500J	J	A-3	1 <sup>1</sup> / <sub>16</sub>	4 <sup>1</sup> / <sub>2</sub>

6 Groove F=6 <sup>3</sup> / <sub>8</sub>				
Part No.	Bush	Type*	K	L
6C60SF	SF	A-1	7/8"	1 <sup>1</sup> / <sub>16</sub> "
6C70SF	SF	A-1	1 <sup>1</sup> / <sub>16</sub>	2 <sup>1</sup> / <sub>16</sub>
6C75SF	SF	A-1	1 <sup>1</sup> / <sub>16</sub>	2 <sup>1</sup> / <sub>16</sub>
6C80E	E	A-1	2 <sup>1</sup> / <sub>16</sub>	2 <sup>1</sup> / <sub>16</sub>
6C85E	E	A-1	2 <sup>1</sup> / <sub>16</sub>	2 <sup>1</sup> / <sub>16</sub>
6C90F	F	A-1	1 <sup>7</sup> / <sub>16</sub>	3 <sup>1</sup> / <sub>4</sub>
6C95F	F	A-1	1 <sup>7</sup> / <sub>16</sub>	3 <sup>1</sup> / <sub>4</sub>
6C100F	F	A-1	1 <sup>7</sup> / <sub>16</sub>	3 <sup>1</sup> / <sub>4</sub>
6C105F	F	A-1	1 <sup>7</sup> / <sub>16</sub>	3 <sup>1</sup> / <sub>4</sub>
6C110F	F	A-2	1 <sup>7</sup> / <sub>16</sub>	3 <sup>1</sup> / <sub>4</sub>
6C120F	F	A-2	1 <sup>7</sup> / <sub>16</sub>	3 <sup>1</sup> / <sub>4</sub>
6C130F	F	A-3	1 <sup>7</sup> / <sub>16</sub>	3 <sup>1</sup> / <sub>4</sub>
6C140F	F	A-3	1 <sup>7</sup> / <sub>16</sub>	3 <sup>1</sup> / <sub>4</sub>
6C150F	F	A-3	1 <sup>7</sup> / <sub>16</sub>	3 <sup>1</sup> / <sub>4</sub>
6C160F	F	A-3	1 <sup>7</sup> / <sub>16</sub>	3 <sup>1</sup> / <sub>4</sub>
6C180F	F	A-3	1 <sup>7</sup> / <sub>16</sub>	3 <sup>1</sup> / <sub>4</sub>
6C200F	F	A-3	1 <sup>1</sup> / <sub>16</sub>	3 <sup>1</sup> / <sub>4</sub>
6C240F	F	A-3	1 <sup>1</sup> / <sub>16</sub>	3 <sup>1</sup> / <sub>4</sub>
6C270J	J	A-3	1 <sup>1</sup> / <sub>16</sub>	4 <sup>1</sup> / <sub>2</sub>
6C300J	J	A-3	1 <sup>1</sup> / <sub>16</sub>	4 <sup>1</sup> / <sub>2</sub>
6C360J	J	A-3	1 <sup>1</sup> / <sub>16</sub>	4 <sup>1</sup> / <sub>2</sub>
6C440J	J	A-3	1 <sup>1</sup> / <sub>16</sub>	4 <sup>1</sup> / <sub>2</sub>
6C500M	M	A-3	1 <sup>1</sup> / <sub>16</sub>	6 <sup>1</sup> / <sub>4</sub>

\*Suffix on Type indicates construction:  
 1=Solid 2=Web 3=Arm/Spoke

sheaves are precision machined from gray cast iron, statically balanced, epoxy powder coating and individually packaged or lagged.

Order bushings separately from page B · 1.

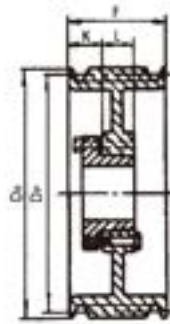




# S H E A V E

## Heavy Duty QD Sheaves

### Eight and Ten Groove QD C Sheaves



TYPE A



Diameters		8 Groove F = 8 <sup>3</sup> / <sub>8</sub>				
D <sub>0</sub>	D <sub>p</sub>	Part No.	Bush	Type*	K	L
7.40"	7.00"	8C705F	SF	A-1	3 <sup>1</sup> / <sub>2</sub> "	2 <sup>1</sup> / <sub>16</sub> "
8.40	8.00	8C80E	E	A-1	3 <sup>1</sup> / <sub>4</sub>	2 <sup>3</sup> / <sub>4</sub>
8.90	8.50	8C85E	E	A-1	3 <sup>1</sup> / <sub>4</sub>	2 <sup>3</sup> / <sub>4</sub>
9.40	9.00	8C90F	F	A-1	3 <sup>3</sup> / <sub>16</sub>	3 <sup>1</sup> / <sub>4</sub>
9.90	9.50	8C95F	F	A-1	3 <sup>3</sup> / <sub>16</sub>	3 <sup>1</sup> / <sub>4</sub>
10.40	10.00	8C100F	F	A-1	3 <sup>3</sup> / <sub>16</sub>	3 <sup>3</sup> / <sub>4</sub>
10.90	10.50	8C105F	F	A-1	3 <sup>3</sup> / <sub>16</sub>	3 <sup>3</sup> / <sub>4</sub>
11.40	11.00	8C110F	F	A-1	3 <sup>3</sup> / <sub>16</sub>	3 <sup>3</sup> / <sub>4</sub>
12.40	12.00	8C120F	F	A-2	3 <sup>3</sup> / <sub>16</sub>	3 <sup>3</sup> / <sub>4</sub>
13.40	13.00	8C130F	F	A-2	3 <sup>3</sup> / <sub>16</sub>	3 <sup>3</sup> / <sub>4</sub>
14.40	14.00	8C140F	F	A-2	3 <sup>3</sup> / <sub>16</sub>	3 <sup>3</sup> / <sub>4</sub>
15.40	15.00	8C150F	F	A-2	3 <sup>3</sup> / <sub>16</sub>	3 <sup>3</sup> / <sub>4</sub>
16.40	16.00	8C160F	F	A-3	3 <sup>3</sup> / <sub>16</sub>	3 <sup>3</sup> / <sub>4</sub>
18.40	18.00	8C180F	F	A-3	3 <sup>3</sup> / <sub>16</sub>	3 <sup>3</sup> / <sub>4</sub>
20.40	20.00	8C200J	J	A-3	1 <sup>1</sup> / <sub>16</sub>	4 <sup>1</sup> / <sub>16</sub>
24.40	24.00	8C240J	J	A-3	1 <sup>1</sup> / <sub>16</sub>	4 <sup>1</sup> / <sub>16</sub>
27.40	27.00	8C270J	J	A-3	1 <sup>1</sup> / <sub>16</sub>	4 <sup>1</sup> / <sub>16</sub>
30.40	30.00	8C300J	J	A-3	1 <sup>1</sup> / <sub>16</sub>	4 <sup>1</sup> / <sub>16</sub>
36.40	36.00	8C360M	M	A-3	1 <sup>1</sup> / <sub>16</sub>	6 <sup>1</sup> / <sub>16</sub>
44.40	44.00	8C440M	M	A-3	1 <sup>1</sup> / <sub>16</sub>	6 <sup>1</sup> / <sub>16</sub>
50.40	50.00	8C500M	M	A-3	1 <sup>1</sup> / <sub>16</sub>	6 <sup>1</sup> / <sub>16</sub>

10 Groove F = 10 <sup>3</sup> / <sub>8</sub>				
Part No.	Bush	Type*	K	L
10C80E	E	A-1	3 <sup>1</sup> / <sub>4</sub> "	2 <sup>3</sup> / <sub>4</sub> "
10C85E	E	A-1	3 <sup>1</sup> / <sub>4</sub>	2 <sup>3</sup> / <sub>4</sub>
10C90J	J	A-1	3 <sup>3</sup> / <sub>16</sub>	4 <sup>1</sup> / <sub>16</sub>
10C95J	J	A-1	3 <sup>3</sup> / <sub>16</sub>	4 <sup>1</sup> / <sub>16</sub>
10C100J	J	A-1	3 <sup>3</sup> / <sub>16</sub>	4 <sup>1</sup> / <sub>16</sub>
10C105J	J	A-1	3 <sup>3</sup> / <sub>16</sub>	4 <sup>1</sup> / <sub>16</sub>
10C110J	J	A-1	3 <sup>3</sup> / <sub>16</sub>	4 <sup>1</sup> / <sub>16</sub>
10C120J	J	A-1	3 <sup>3</sup> / <sub>16</sub>	4 <sup>1</sup> / <sub>16</sub>
10C130J	J	A-2	3 <sup>3</sup> / <sub>16</sub>	4 <sup>1</sup> / <sub>16</sub>
10C140J	J	A-2	3 <sup>3</sup> / <sub>16</sub>	4 <sup>1</sup> / <sub>16</sub>
10C150J	J	A-2	3 <sup>3</sup> / <sub>16</sub>	4 <sup>1</sup> / <sub>16</sub>
10C160J	J	A-3	3 <sup>3</sup> / <sub>16</sub>	4 <sup>1</sup> / <sub>16</sub>
10C180J	J	A-3	3 <sup>3</sup> / <sub>16</sub>	4 <sup>1</sup> / <sub>16</sub>
10C200J	J	A-3	3 <sup>3</sup> / <sub>16</sub>	4 <sup>1</sup> / <sub>16</sub>
10C240M	M	A-3	3 <sup>3</sup> / <sub>16</sub>	6 <sup>1</sup> / <sub>16</sub>
10C300M	M	A-3	1 <sup>1</sup> / <sub>16</sub>	6 <sup>1</sup> / <sub>16</sub>
10C360M	M	A-3	1 <sup>1</sup> / <sub>16</sub>	6 <sup>1</sup> / <sub>16</sub>
10C440M	M	A-3	1 <sup>1</sup> / <sub>16</sub>	6 <sup>1</sup> / <sub>16</sub>
10C500M	M	A-3	1 <sup>1</sup> / <sub>16</sub>	6 <sup>1</sup> / <sub>16</sub>

\*Suffix on Type indicates construction:  
1=Solid 2=Web 3=Arm/Spoke

sheaves are precision machined from gray cast iron, statically balanced, epoxy powder coating and individually packaged or lagged.

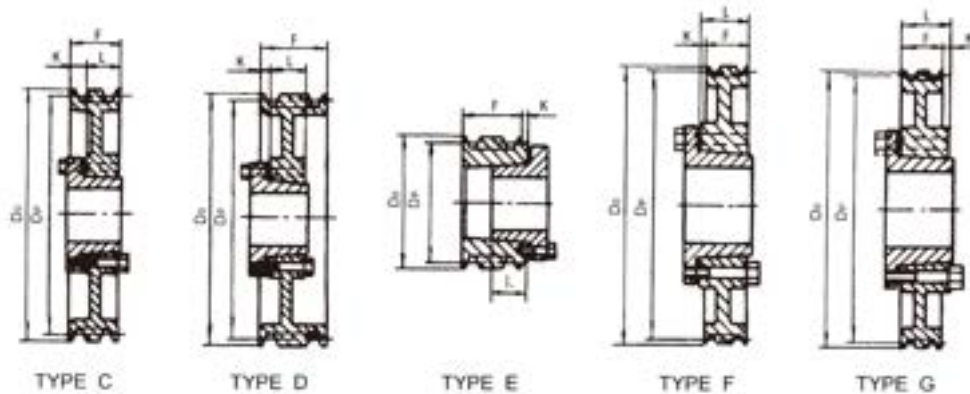
Order bushings separately from page B - 1.



# SHEAVE

## Heavy Duty QD Sheaves

### One and Two Groove QD 3V Sheaves



Diameters		1 Groove F = 11/16				
D <sub>0</sub>	D <sub>p</sub>	Part No.	Bush	Type*	K	L
2.20"	2.15"	1-3V220JA	JA	E-1	7/16"	1"
2.35	2.30	1-3V235JA	JA	E-1	7/16	1
2.50	2.45	1-3V250JA	JA	E-1	7/16	1
2.65	2.60	1-3V265JA	JA	C-1	1/2	1
2.80	2.75	1-3V280JA	JA	C-1	1/2	1
3.00	2.95	1-3V300JA	JA	C-1	1/2	1
3.15	3.10	1-3V315JA	JA	C-1	1/2	1
3.35	3.30	1-3V335JA	JA	C-1	1/2	1
3.65	3.60	1-3V365SH	SH	G-1	1/2	1 1/16
4.12	4.07	1-3V412SH	SH	G-1	1/2	1 1/16
4.50	4.45	1-3V450SH	SH	G-1	1/2	1 1/16
4.75	4.70	1-3V475SH	SH	G-1	1/2	1 1/16
5.00	4.90	1-3V500SH	SH	G-1	1/2	1 1/16
5.30	5.25	1-3V530SH	SH	G-2	1/2	1 1/16
5.60	5.55	1-3V560SH	SH	G-2	1/2	1 1/16
6.00	5.95	1-3V600SH	SH	G-2	1/2	1 1/16
6.50	6.45	1-3V650SH	SH	G-2	1/2	1 1/16
6.90	6.85	1-3V690SH	SH	G-3	1/2	1 1/16
8.00	7.95	1-3V800SDS	SDS	G-3	0	1 1/16
10.60	10.55	1-3V1060SDS	SDS	G-3	0	1 1/16
14.00	13.95	1-3V1400SK	SK	G-3	7/16	1 11/16
19.00	18.95	1-3V1900SK	SK	G-3	7/16	1 11/16
25.00	24.95					

2 Groove F = 13/32				
Part No.	Bush	Type*	K	L
2-3V220JA	JA	E-1	7/16"	1"
2-3V235JA	JA	E-1	7/16	1
2-3V250JA	JA	E-1	7/16	1
2-3V265JA	JA	D-1	1/2	1
2-3V280JA	JA	D-1	1/2	1
2-3V300JA	JA	D-1	1/2	1
2-3V315JA	JA	D-1	1/2	1
2-3V335SH	SH	D-1	5/16	1 1/16
2-3V365SH	SH	D-1	5/16	1 1/16
2-3V412SH	SH	D-1	5/16	1 1/16
2-3V450SH	SH	D-1	5/16	1 1/16
2-3V475SH	SH	D-1	5/16	1 1/16
2-3V500SH	SH	D-1	5/16	1 1/16
2-3V530SH	SH	D-1	5/16	1 1/16
2-3V560SH	SH	D-2	5/16	1 1/16
2-3V600SH	SH	D-2	5/16	1 1/16
2-3V650SDS	SDS	D-2	5/16	1 1/16
2-3V690SDS	SDS	D-2	5/16	1 1/16
2-3V800SDS	SDS	D-3	5/16	1 1/16
2-3V1060SK	SK	F-3	5/16	1 11/16
2-3V1400SK	SK	F-3	5/16	1 11/16
2-3V1900SK	SK	F-3	5/16	1 11/16
2-3V2500SF	SF	E-3	1/2	2 1/16

\*Suffix on Type indicates construction:  
1=Solid 2=Web 3=Arm/Spoke

sheaves are precision machined from gray cast iron, statically balanced, epoxy powder coating and individually packaged or lagged.

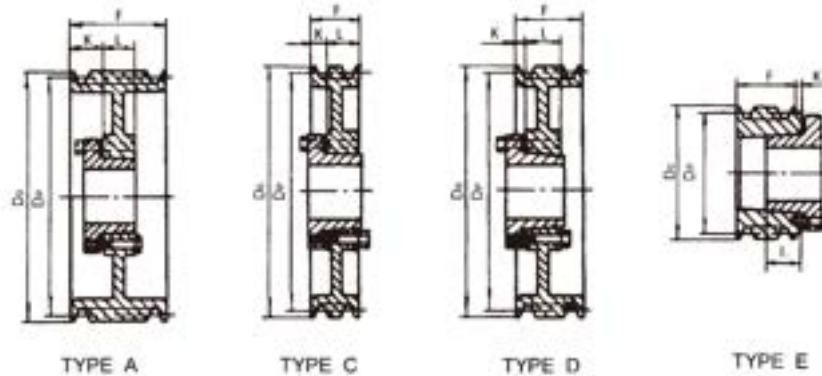
Order bushings separately from page B - 1.



# S H E A V E

## Heavy Duty QD Sheaves

### Three and Four Groove QD 3V Sheaves



Diameters		3 Groove F = 1 1/2				
D <sub>g</sub>	D <sub>p</sub>	Part No.	Bush	Type*	K	L
2.50"	2.45"	3-3V250JA	JA	E-1	7/16"	1"
2.65	2.60	3-3V265JA	JA	D-1	1/2	1
2.80	2.75	3-3V280JA	JA	D-1	1/2	1
3.00	2.95	3-3V300SH	SH	E-1	5/16	1 1/16
3.15	3.10	3-3V315SH	SH	E-1	5/16	1 1/16
3.35	3.30	3-3V335SH	SH	D-1	1/2	1 1/16
3.65	3.60	3-3V365SH	SH	D-1	1/2	1 1/16
4.12	4.07	3-3V412SH	SH	A-1	11/16	1 1/16
4.50	4.45	3-3V450SDS	SDS	A-1	11/16	1 1/16
4.75	4.70	3-3V475SDS	SDS	A-1	11/16	1 1/16
5.00	4.95	3-3V500SDS	SDS	A-1	11/16	1 1/16
5.30	5.25	3-3V530SDS	SDS	A-1	11/16	1 1/16
5.60	5.55	3-3V560SDS	SDS	A-1	11/16	1 1/16
6.00	5.95	3-3V600SDS	SDS	A-2	11/16	1 1/16
6.50	6.45	3-3V650SDS	SDS	A-2	11/16	1 1/16
6.90	6.85	3-3V690SDS	SDS	A-2	11/16	1 1/16
8.00	7.95	3-3V800SK	SK	C-3	1/4	1 15/16
10.60	10.55	3-3V1060SK	SK	C-3	1/4	1 15/16
14.00	13.95	3-3V1400SK	SK	C-3	1/4	1 15/16
19.00	18.95	3-3V1900SF	SF	C-3	1/4	2 1/16
25.00	24.95	3-3V2500SF	SF	C-3	1/4	2 1/16
33.50	33.45	3-3V3350SF	SF	C-3	1/4	2 1/16

4 Groove F = 1 29/32				
Part No.	Bush	Type*	K	L
4-3V265JA	JA	D-1	1/2"	1"
4-3V280JA	JA	D-1	1/2	1
4-3V300SH	SH	E-1	0	1 1/16
4-3V315SH	SH	E-1	0	1 1/16
4-3V335SH	SH	D-1	1/2	1 1/16
4-3V365SH	SH	D-1	1/2	1 1/16
4-3V412SH	SH	A-1	13/16	1 1/16
4-3V450SDS	SDS	A-1	13/16	1 1/16
4-3V475SDS	SDS	A-1	13/16	1 1/16
4-3V500SDS	SDS	A-1	13/16	1 1/16
4-3V530SDS	SDS	A-1	13/16	1 1/16
4-3V560SDS	SDS	A-1	13/16	1 1/16
4-3V600SK	SK	D-1	5/8	1 15/16
4-3V650SK	SK	D-2	5/8	1 15/16
4-3V690SK	SK	D-2	5/8	1 15/16
4-3V800SK	SK	D-3	5/8	1 15/16
4-3V1060SK	SK	D-3	5/8	1 15/16
4-3V1400SK	SK	D-3	5/8	1 15/16
4-3V1900SF	SF	C-3	7/32	2 1/16
4-3V2500SF	SF	C-3	7/32	2 1/16
4-3V3350E	E	C-3	9/32	2 1/4

\*Suffix on Type indicates construction:  
1=Solid 2=Web 3=Arm/Spoke

sheaves are precision machined from gray cast iron, statically balanced, epoxy powder coating and individually packaged or lagged.

Order bushings separately from page B - 1.

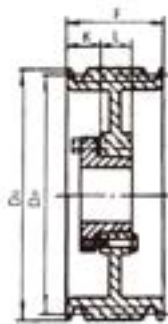




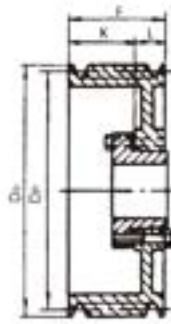
# SHEAVE

## Heavy Duty QD Sheaves

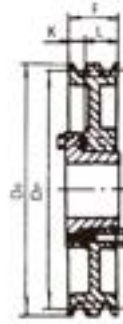
Five, Six, Eight and Ten Groove QD 3V Sheaves



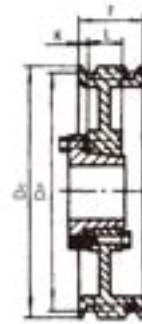
TYPE A



TYPE B



TYPE C



TYPE D

Diameters		5 Groove F = 2 5/16				
D <sub>o</sub>	D <sub>p</sub>	Part No.	Bush	Type*	K	L
4.75"	4.70"	5-3V475SDS	SDS	A-1	13/16"	1 1/16"
5.00	4.95	5-3V500SDS	SDS	A-1	13/16"	1 1/16"
5.30	5.25	5-3V530SK	SK	A-1	13/16"	1 1/16"
5.60	5.55	5-3V560SK	SK	A-1	13/16"	1 1/16"
6.00	5.95	5-3V600SK	SK	A-1	13/16"	1 1/16"
6.50	6.45	5-3V650SK	SK	A-1	13/16"	1 1/16"
6.90	6.85	5-3V690SK	SK	A-2	13/16"	1 1/16"
8.00	7.95	5-3V800SK	SK	A-2	13/16"	1 1/16"
10.60	10.55	5-3V1060SK	SK	A-3	13/16"	1 1/16"
14.00	13.95	5-3V1400SF	SF	A-3	7/8"	2 1/16"
19.00	18.95	5-3V1900SF	SF	A-3	7/8"	2 1/16"
25.00	24.95	5-3V2500E	E	C-3	1 1/16"	2 3/4"
33.50	33.45	5-3V3350E	E	C-3	1 1/16"	2 3/4"

Diameters		8 Groove F = 3 17/32				
D <sub>o</sub>	D <sub>p</sub>	Part No.	Bush	Type*	K	L
4.75"	4.70"	8-3V475SK	SK	D-1	1/8"	1 15/16"
5.00	4.95	8-3V500SK	SK	D-1	1/8"	1 15/16"
5.30	5.25	8-3V530SK	SK	A-1	1 1/16"	1 15/16"
5.60	5.55	8-3V560SK	SK	A-1	1 1/16"	1 15/16"
6.00	5.95	8-3V600SK	SK	A-1	1 1/16"	1 15/16"
6.50	6.45	8-3V650SK	SK	A-1	1 1/16"	1 15/16"
6.90	6.85	8-3V690SK	SK	A-2	1 1/16"	1 15/16"
8.00	7.95	8-3V800SF	SF	A-2	1 1/8"	2 1/16"
10.60	10.55	8-3V1060SF	SF	A-3	1 1/8"	2 1/16"
14.00	13.95	8-3V1400E	E	A-3	1 1/4"	2 3/4"
19.00	18.95	8-3V1900E	E	A-3	1 1/4"	2 3/4"
25.00	24.95	8-3V2500E	E	A-3	1 1/4"	2 3/4"
33.50	33.45	8-3V3350F	F	B-3	1 1/2"	3 3/4"

		6 Groove F = 2 23/32				
Part No.	Bush	Type*	K	L		
6-3V475SK	SK	D-1	1/8"	1 15/16"		
6-3V500SK	SK	D-1	1/8"	1 15/16"		
6-3V530SK	SK	A-1	1 1/16"	1 15/16"		
6-3V560SK	SK	A-1	1 1/16"	1 15/16"		
6-3V600SK	SK	A-1	1 1/16"	1 15/16"		
6-3V650SK	SK	A-1	1 1/16"	1 15/16"		
6-3V690SK	SK	A-2	1 1/16"	1 15/16"		
6-3V800SK	SK	A-2	1 1/16"	1 15/16"		
6-3V1060SF	SF	A-2	7/8"	2 1/16"		
6-3V1400SF	SF	A-3	7/8"	2 1/16"		
6-3V1900E	E	B-3	1 1/2"	2 3/4"		
6-3V2500E	E	B-3	1 1/2"	2 3/4"		
6-3V3350E	E	B-3	1 1/2"	2 3/4"		

		10 Groove F = 4 11/32				
Part No.	Bush	Type*	K	L		
10-3V475SK	SK	D-1	1/8"	1 15/16"		
10-3V500SK	SK	D-1	1/8"	1 15/16"		
10-3V530SK	SK	A-1	1 1/16"	1 15/16"		
10-3V560SK	SK	A-1	1 1/16"	1 15/16"		
10-3V600SK	SK	A-1	1 1/16"	1 15/16"		
10-3V650SK	SK	A-1	1 1/16"	1 15/16"		
10-3V690SK	SK	A-2	1 1/16"	1 15/16"		
10-3V800SF	SF	A-2	1 1/8"	2 1/16"		
10-3V1060E	E	A-2	1 1/4"	2 3/4"		
10-3V1400E	E	A-3	1 1/4"	2 3/4"		
10-3V1900E	E	A-3	1 1/4"	2 3/4"		
10-3V2500F	F	A-3	1 1/2"	3 3/4"		
10-3V3350F	F	A-3	1 1/2"	3 3/4"		

\*Suffix on Type indicates construction:

1=Solid 2=Web 3=Arm/Spoke

sheaves are precision machined from gray cast iron, statically balanced, epoxy powder coating and individually packaged or lagged.

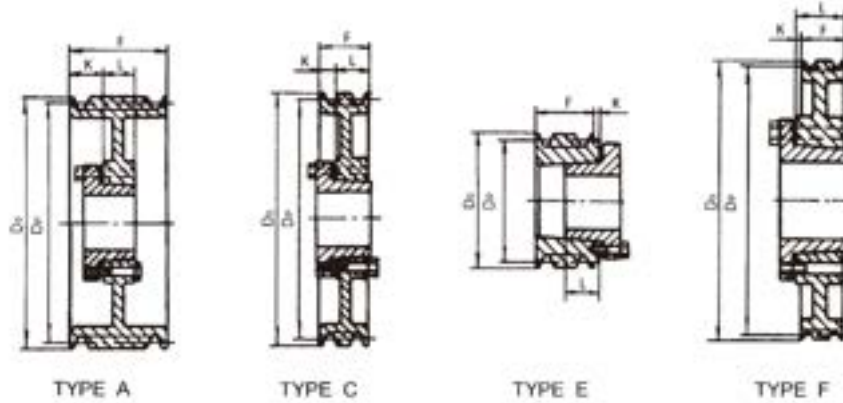
Order bushings separately from page B - 1.



# S H E A V E

## Heavy Duty QD Sheaves

### Two and Three Groove QD 5V Sheaves



Diameters		2 Groove F = 1 11/16					3 Groove F = 2 3/8				
D <sub>o</sub>	D <sub>p</sub>	Part No.	Bush	Type*	K	L	Part No.	Bush	Type*	K	L
4.40"	4.30"	2-5V440SH	SH	A-1	11/16"	1 1/16"	3-5V440SDS	SDS	E-1	0"	1 1/16"
4.65	4.55	2-5V465SDS	SDS	E-1	3/16	1 1/16	3-5V465SDS	SDS	E-1	0	1 1/16
4.90	4.80	2-5V490SDS	SDS	A-1	11/16	1 1/16	3-5V490SDS	SDS	A-1	1 1/16	1 1/16
5.20	5.10	2-5V520SDS	SDS	A-1	11/16	1 1/16	3-5V520SDS	SDS	A-1	1 1/16	1 1/16
5.50	5.40	2-5V550SDS	SDS	A-1	11/16	1 1/16	3-5V550SDS	SDS	A-1	1 1/16	1 1/16
5.90	5.80	2-5V590SDS	SDS	A-1	11/16	1 1/16	3-5V590SDS	SDS	A-1	1 1/16	1 1/16
6.30	6.20	2-5V630SK	SK	C-1	7/16	1 11/16	3-5V630SK	SK	A-1	1 1/16	1 11/16
6.70	6.60	2-5V670SK	SK	C-1	7/16	1 11/16	3-5V670SK	SK	A-1	1 1/16	1 11/16
7.10	7.00	2-5V710SK	SK	C-1	7/16	1 11/16	3-5V710SF	SF	A-1	1 1/16	2 1/16
7.50	7.40	2-5V750SK	SK	C-1	7/16	1 11/16	3-5V750SF	SF	A-1	1 1/16	2 1/16
8.00	7.90	2-5V800SK	SK	C-2	7/16	1 11/16	3-5V800SF	SF	A-1	1 1/16	2 1/16
8.50	8.40	2-5V850SK	SK	C-2	7/16	1 11/16	3-5V850SF	SF	A-2	1 1/16	2 1/16
9.00	8.90	2-5V900SK	SK	C-2	7/16	1 11/16	3-5V900SF	SF	A-2	1 1/16	2 1/16
9.25	9.15	2-5V925SK	SK	C-2	7/16	1 11/16	3-5V925SF	SF	A-2	1 1/16	2 1/16
9.75	9.65	2-5V975SK	SK	C-3	7/16	1 11/16	3-5V975SF	SF	A-2	1 1/16	2 1/16
10.30	10.20	2-5V1030SK	SK	C-3	7/16	1 11/16	3-5V1030SF	SF	A-2	1 1/16	2 1/16
10.90	10.80	2-5V1090SK	SK	C-3	7/16	1 11/16	3-5V1090SF	SF	A-2	1 1/16	2 1/16
11.30	11.20	2-5V1130SK	SK	C-3	7/16	1 11/16	3-5V1130SF	SF	A-3	1 1/16	2 1/16
11.80	11.70	2-5V1180SK	SK	C-3	7/16	1 11/16	3-5V1180SF	SF	A-3	1 1/16	2 1/16
12.50	12.40	2-5V1250SK	SK	C-3	7/16	1 11/16	3-5V1250E	E	C-3	3/4	2 1/4
13.20	13.10	2-5V1320SF	SF	C-3	7/16	2 1/16	3-5V1320E	E	C-3	3/4	2 1/4
14.00	13.90	2-5V1400SF	SF	C-3	7/16	2 1/16	3-5V1400E	E	C-3	3/4	2 1/4
15.00	14.90	2-5V1500SF	SF	C-3	7/16	2 1/16	3-5V1500E	E	C-3	3/4	2 1/4
16.00	15.90	2-5V1600SF	SF	C-3	7/16	2 1/16	3-5V1600E	E	C-3	3/4	2 1/4
18.70	18.60	2-5V1870SF	SF	C-3	7/16	2 1/16	3-5V1870E	E	C-3	3/4	2 1/4
21.20	21.10	2-5V2120SF	SF	C-3	7/16	2 1/16	3-5V2120E	E	C-3	3/4	2 1/4
23.60	23.50	2-5V2360E	E	C-3	1/16	2 1/4	3-5V2360E	E	C-3	3/4	2 1/4
28.00	27.90	2-5V2800E	E	C-3	1/16	2 1/4	3-5V2800E	E	C-3	3/4	2 1/4
31.50	31.40						3-5V3150F	F	F-3	1/8	3 3/4
37.50	37.40						3-5V3750F	F	F-3	1/8	3 3/4

\*Suffix on Type indicates construction:  
1=Solid 2=Web 3=Arm/Spoke

sheaves are precision machined from gray cast iron, statically balanced, epoxy powder coating and individually packaged or lagged.

Order bushings separately from page B · 1.

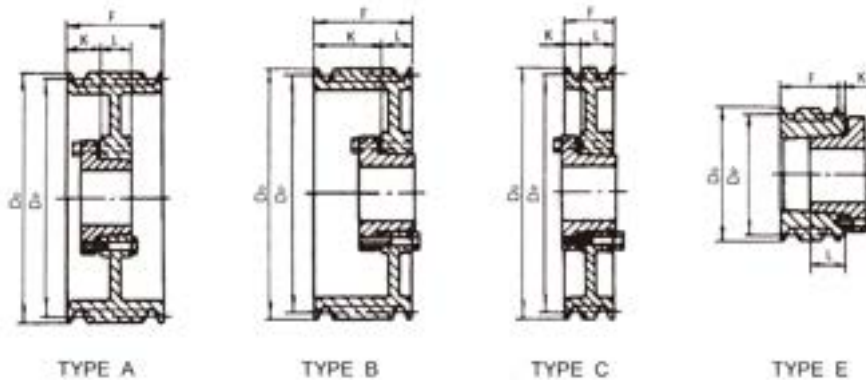




# S H E A V E

## Heavy Duty QD Sheaves

### Four and Five Groove QD 5V Sheaves



Diameters		4 Groove F = 3 1/16				
D <sub>o</sub>	D <sub>p</sub>	Part No.	Bush	Type*	K	L
4.40"	4.30"	4-5V440SD	SD	E-1	0"	1 13/16"
4.65	4.55	4-5V465SD	SD	E-1	0	1 13/16
4.90	4.80	4-5V490SD	SD	A-1	1 1/16	1 13/16
5.20	5.10	4-5V520SD	SD	A-1	1 1/16	1 13/16
5.50	5.40	4-5V550SD	SD	A-1	1 1/16	1 13/16
5.90	5.80	4-5V590SD	SD	A-1	1 1/16	1 13/16
6.30	6.20	4-5V630SK	SK	A-1	1 1/16	1 13/16
6.70	6.60	4-5V670SK	SK	A-1	1 1/16	1 13/16
7.10	7.00	4-5V710SF	SF	A-1	1 1/16	2 1/16
7.50	7.40	4-5V750SF	SF	A-1	1 1/16	2 1/16
8.00	7.90	4-5V800E	E	B-1	1 7/16	2 3/4
8.50	8.40	4-5V850E	E	B-1	1 7/16	2 3/4
9.00	8.90	4-5V900E	E	B-1	1 7/16	2 3/4
9.25	9.15	4-5V925E	E	B-1	1 7/16	2 3/4
9.75	9.65	4-5V975E	E	B-2	1 7/16	2 3/4
10.30	10.20	4-5V1030E	E	B-2	1 7/16	2 3/4
10.90	10.80	4-5V1090E	E	B-2	1 7/16	2 3/4
11.30	11.20	4-5V1130E	E	B-2	1 7/16	2 3/4
11.80	11.70	4-5V1180E	E	B-2	1 7/16	2 3/4
12.50	12.40	4-5V1250E	E	B-3	1 7/16	2 3/4
13.20	13.10	4-5V1320E	E	B-3	1 7/16	2 3/4
14.00	13.90	4-5V1400E	E	B-3	1 7/16	2 3/4
15.00	14.90	4-5V1500E	E	B-3	1 7/16	2 3/4
16.00	15.90	4-5V1600E	E	B-3	1 7/16	2 3/4
18.70	18.60	4-5V1870E	E	A-3	1 1/4	2 3/4
21.20	21.10	4-5V2120E	E	A-3	1 1/4	2 3/4
23.60	23.50	4-5V2360F	F	C-3	7/8	3 3/4
28.00	27.90	4-5V2800F	F	C-3	7/8	3 3/4
31.50	31.40	4-5V3150F	F	C-3	7/8	3 3/4
37.50	37.40	4-5V3750F	F	C-3	7/8	3 3/4

5 Groove F = 3 3/4				
Part No.	Bush	Type*	K	L
5-5V440SD	SD	E-1	0"	1 13/16"
5-5V465SD	SD	E-1	0	1 13/16
5-5V490SD	SD	A-1	1 1/16	1 13/16
5-5V520SD	SD	A-1	1 1/16	1 13/16
5-5V550SD	SD	A-1	1 1/16	1 13/16
5-5V590SK	SK	A-1	1 1/16	1 13/16
5-5V630SK	SK	A-1	1 1/16	1 13/16
5-5V670SF	SF	A-1	1 1/16	2 1/16
5-5V710SF	SF	A-1	1 1/16	2 1/16
5-5V750SF	SF	A-1	1 1/16	2 1/16
5-5V800E	E	A-1	1 3/4	2 3/4
5-5V850E	E	A-1	1 3/4	2 3/4
5-5V900E	E	A-1	1 3/4	2 3/4
5-5V925E	E	A-1	1 3/4	2 3/4
5-5V975E	E	A-2	1 3/4	2 3/4
5-5V1030E	E	A-2	1 3/4	2 3/4
5-5V1090E	E	A-2	1 3/4	2 3/4
5-5V1130E	E	A-2	1 3/4	2 3/4
5-5V1180E	E	A-2	1 3/4	2 3/4
5-5V1250E	E	A-3	1 3/4	2 3/4
5-5V1320E	E	A-3	1 3/4	2 3/4
5-5V1400E	E	A-3	1 3/4	2 3/4
5-5V1500E	E	A-3	1 3/4	2 3/4
5-5V1600E	E	A-3	1 3/4	2 3/4
5-5V1870F	F	B-3	1 1/4	3 3/4
5-5V2120F	F	B-3	1 1/4	3 3/4
5-5V2360F	F	B-3	1 1/4	3 3/4
5-5V2800F	F	B-3	1 1/4	3 3/4
5-5V3150J	J	C-3	7/8	4 1/2
5-5V3750J	J	C-3	7/8	4 1/2

\*Suffix on Type indicates construction:  
1=Solid 2=Web 3=Arm/Spoke

sheaves are precision machined from gray cast iron, statically balanced, epoxy powder coating and individually packaged or lagged.

Order bushings separately from page B - 1.

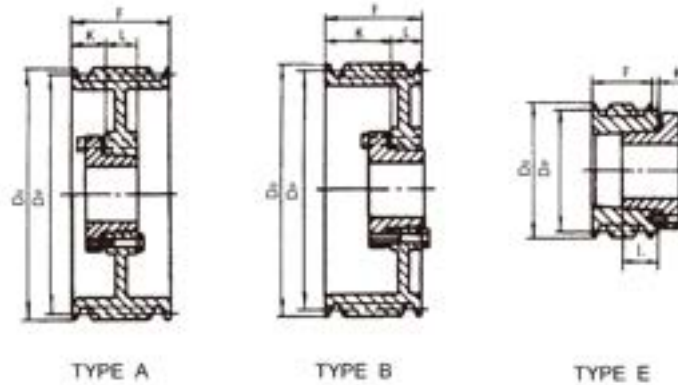




# S H E A V E

## Heavy Duty QD Sheaves

### Six and Eight Groove QD 5V Sheaves



Diameters		6 Groove F = 4 7/16				
D <sub>o</sub>	D <sub>p</sub>	Part No.	Bush	Type*	K	L
4.40"	4.30"	6-5V440SD	SD	E-1	0"	1 13/16"
4.65	4.55	6-5V465SD	SD	E-1	0	1 13/16
4.90	4.80	6-5V490SD	SD	A-1	1 1/16	1 13/16
5.20	5.10	6-5V520SD	SD	A-1	1 1/16	1 13/16
5.50	5.40	6-5V550SD	SD	A-1	1 1/16	1 13/16
5.90	5.80	6-5V590SK	SK	A-1	1 1/16	1 13/16
6.30	6.20	6-5V630SK	SK	A-1	1 1/16	1 13/16
6.70	6.60	6-5V670SF	SF	A-1	1 1/16	2 1/16
7.10	7.00	6-5V710SF	SF	A-1	1 1/16	2 1/16
7.50	7.40	6-5V750SF	SF	A-1	1 1/16	2 1/16
8.00	7.90	6-5V800E	E	A-1	2	2 1/4
8.50	8.40	6-5V850E	E	A-1	2	2 1/4
9.00	8.90	6-5V900E	E	A-1	2	2 1/4
9.25	9.15	6-5V925E	E	A-1	2	2 1/4
9.75	9.65	6-5V975E	E	A-2	2	2 1/4
10.30	10.20	6-5V1030E	E	A-2	2	2 1/4
10.90	10.80	6-5V1090E	E	A-2	2	2 1/4
11.30	11.20	6-5V1130E	E	A-2	2	2 1/4
11.80	11.70	6-5V1180E	E	A-2	2	2 1/4
12.50	12.40	6-5V1250F	F	B-3	1 1/16	3 1/4
13.20	13.10	6-5V1320F	F	B-3	1 1/16	3 1/4
14.00	13.90	6-5V1400F	F	B-3	1 1/16	3 1/4
15.00	14.90	6-5V1500F	F	B-3	1 1/16	3 1/4
16.00	15.90	6-5V1600F	F	B-3	1 1/16	3 1/4
18.70	18.60	6-5V1870F	F	A-3	1 1/16	3 1/4
21.20	21.10	6-5V2120F	F	A-3	1 1/16	3 1/4
23.60	23.50	6-5V2360J	J	B-3	1 1/4	4 1/8
28.00	27.90	6-5V2800J	J	B-3	1 1/4	4 1/8
31.50	31.40	6-5V3150J	J	B-3	1 1/4	4 1/8
37.50	37.40	6-5V3750J	J	B-3	1 1/4	4 1/8

8 Groove F = 5 13/16				
Part No.	Bush	Type*	K	L
8-5V710SF	SF	A-1	2 1/8"	2 1/16"
8-5V750SF	SF	A-1	2 1/8	2 1/16
8-5V800E	E	A-1	2 1/2	2 1/4
8-5V850E	E	A-1	2 1/2	2 1/4
8-5V900E	E	A-1	2 1/2	2 1/4
8-5V925F	F	A-1	2 1/16	3 1/4
8-5V975F	F	A-1	2 1/16	3 1/4
8-5V1030F	F	A-1	2 1/16	3 1/4
8-5V1090F	F	A-2	2 1/16	3 1/4
8-5V1130F	F	A-2	2 1/16	3 1/4
8-5V1180F	F	A-2	2 1/16	3 1/4
8-5V1250F	F	A-2	2 1/16	3 1/4
8-5V1320F	F	A-3	2 1/16	3 1/4
8-5V1400F	F	A-3	2 1/16	3 1/4
8-5V1500F	F	A-3	2 1/16	3 1/4
8-5V1600F	F	A-3	2 1/16	3 1/4
8-5V1870J	J	A-3	1 1/16	4 1/8
8-5V2120J	J	A-3	1 1/16	4 1/8
8-5V2360J	J	A-3	1 1/16	4 1/8
8-5V2800J	J	A-3	1 1/16	4 1/8
8-5V3150M	M	B-3	1/8	6 1/4
8-5V3750M	M	B-3	1/8	6 1/4

\*Suffix on Type indicates construction:  
1=Solid 2=Web 3=Arm/Spoke

sheaves are precision machined from gray cast iron, statically balanced, epoxy powder coating and individually packaged or lagged.

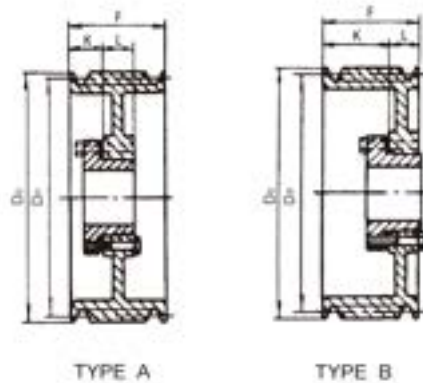
Order bushings separately from page B - 1.



# S H E A V E

## Heavy Duty QD Sheaves

### Ten Groove QD 5V Sheaves



Diameters		10 Groove F = 7 3/16				
D <sub>o</sub>	D <sub>p</sub>	Part No.	Bush	Type*	K	L
8.00*	7.90*	10-5V800E	E	A-1	3/4"	2 1/4"
8.50	8.40	10-5V850E	E	A-1	3/4"	2 1/4"
9.00	8.90	10-5V900F	F	A-1	3/16	3 1/4"
9.25	9.15	10-5V925F	F	A-1	3/16	3 1/4"
9.75	9.65	10-5V975F	F	A-1	3/16	3 1/4"
10.30	10.20	10-5V1030F	F	A-1	3/16	3 1/4"
10.90	10.80	10-5V1090F	F	A-2	3/16	3 1/4"
11.30	11.20	10-5V1130F	F	A-2	3/16	3 1/4"
11.80	11.70	10-5V1180F	F	A-2	3/16	3 1/4"
12.50	12.40	10-5V1250J	J	A-2	3/16	4 1/8"
13.20	13.10	10-5V1320J	J	A-2	3/16	4 1/8"
14.00	13.90	10-5V1400J	J	A-2	3/16	4 1/8"
15.00	14.90	10-5V1500J	J	A-2	3/16	4 1/8"
16.00	15.90	10-5V1600J	J	A-3	3/16	4 1/8"
18.70	18.60	10-5V1870J	J	A-3	1 1/16	4 1/8"
21.20	21.10	10-5V2120J	J	A-3	1 1/16	4 1/8"
23.60	23.50	10-5V2360M	M	B-3	1 1/16	6 3/4"
28.00	27.90	10-5V2800M	M	B-3	1 1/16	6 3/4"
31.50	31.40	10-5V3150M	M	B-3	1 1/16	6 3/4"
37.50	37.40	10-5V3750M	M	B-3	1 1/16	6 3/4"
50.00	49.40	10-5V5000M	M	B-3	1 1/16	6 3/4"

\*Suffix on Type indicates construction:  
 1=Solid 2=Web 3=Arm/Spoke

sheaves are precision machined from gray cast iron, statically balanced, epoxy powder coating and individually packaged or lagged.

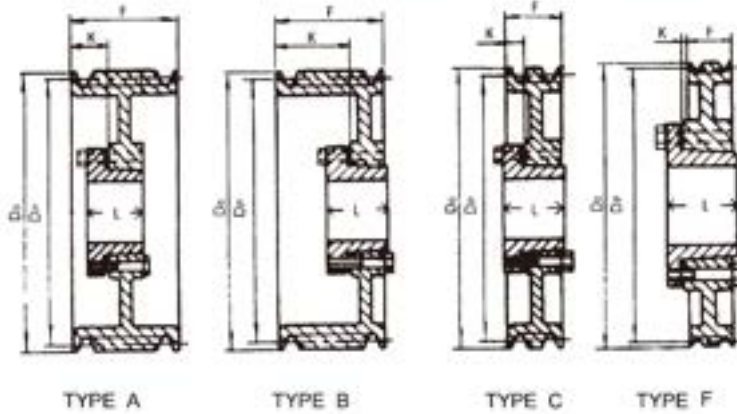
Order bushings separately from page B - 1.



# SHEAVE

## Heavy Duty QD Sheaves

### Four, Five, Six & Eight Groove QD 8V Sheaves



Diameters		4 Groove F = 4 7/8				
D <sub>o</sub>	D <sub>p</sub>	Part No.	Bush	Type*	K	L
12.50"	12.30"	4-8V1250F	F	A-1	1 3/16"	3 1/4"
13.20	13.00	4-8V1320F	F	A-2	1 1/16	3 1/4
14.00	13.80	4-8V1400F	F	A-2	1 1/16	3 1/4
15.00	14.80	4-8V1500F	F	A-2	1 1/16	3 1/4
16.00	15.80	4-8V1600F	F	A-2	1 1/16	3 1/4
17.00	16.80	4-8V1700F	F	A-3	1 1/16	3 1/4
18.00	17.80	4-8V1800F	F	A-3	1 1/16	3 1/4
19.00	18.80	4-8V1900F	F	A-2	1 1/16	3 1/4
20.00	19.80	4-8V2000J	J	A-3	1 7/16	4 1/8
21.20	21.00	4-8V2120J	J	A-3	1 7/16	4 1/8
22.40	22.20	4-8V2240J	J	A-3	1 7/16	4 1/8
24.80	24.60	4-8V2480M	M	F-3	5/16	6 1/4
30.00	29.80	4-8V3000M	M	F-3	5/16	6 1/4
35.50	35.30	4-8V3550M	M	F-3	5/16	6 1/4
40.00	39.80	4-8V4000M	M	F-3	5/16	6 1/4
Diameters		6 Groove F = 7 1/8				
D <sub>o</sub>	D <sub>p</sub>	Part No.	Bush	Type*	K	L
12.50"	12.30"	6-8V1250F	F	A-1	2 1/16"	3 3/4"
13.20	13.00	6-8V1320F	F	A-1	2 1/16	3 3/4
14.00	13.80	6-8V1400F	F	A-1	2 1/16	3 3/4
15.00	14.80	6-8V1500J	J	A-1	2 1/16	4 1/8
16.00	15.80	6-8V1600J	J	A-1	2 1/16	4 1/8
17.00	16.80	6-8V1700J	J	A-2	2 1/16	4 1/8
18.00	17.80	6-8V1800J	J	A-2	2 1/16	4 1/8
19.00	18.80	6-8V1900J	J	A-2	2 1/16	4 1/8
20.00	19.80	6-8V2000M	M	B-2	1 1/16	6 1/4
21.20	21.00	6-8V2120M	M	B-2	1 1/16	6 1/4
22.40	22.20	6-8V2240M	M	B-3	1 1/16	6 1/4
24.80	24.60	6-8V2480M	M	B-3	1 1/16	6 1/4
30.00	29.80	6-8V3000M	M	B-3	1 1/16	6 1/4
35.50	35.30	6-8V3550N	N	C-3	1 1/8	8 1/8
40.00	39.80	6-8V4000N	N	C-3	1 1/8	8 1/8

		5 Groove F = 6				
Part No.	Bush	Type*	K	L		
5-8V1250F	F	A-1	2 1/16"	3 1/4"		
5-8V1320F	F	A-2	2 1/16	3 1/4		
5-8V1400F	F	A-2	2 1/16	3 1/4		
5-8V1500F	F	A-2	2 1/16	3 1/4		
5-8V1600F	F	A-2	2 1/16	3 1/4		
5-8V1700J	J	A-3	2	4 1/8		
5-8V1800J	J	A-3	2	4 1/8		
5-8V1900J	J	A-3	2	4 1/8		
5-8V2000J	J	A-3	2	4 1/8		
5-8V2120J	J	A-3	2	4 1/8		
5-8V2240M	M	B-3	1 1/16	6 1/4		
5-8V2480M	M	B-3	1 1/16	6 1/4		
5-8V3000M	M	B-3	1 1/16	6 1/4		
5-8V3550M	M	B-3	1 1/16	6 1/4		
5-8V4000M	M	B-3	1 1/16	6 1/4		
		8 Groove F = 9 3/8				
Part No.	Bush	Type*	K	L		
8-8V1250J	J	A-1	3 1/16"	4 1/8"		
8-8V1320J	J	A-1	3 1/16	4 1/8		
8-8V1400J	J	A-1	3 1/16	4 1/8		
8-8V1500J	J	A-1	3 1/16	4 1/8		
8-8V1600J	J	A-1	3 1/16	4 1/8		
8-8V1700M	M	A-2	3 1/16	6 1/4		
8-8V1800M	M	A-2	3 1/16	6 1/4		
8-8V1900M	M	A-2	3 1/16	6 1/4		
8-8V2000M	M	A-2	3 1/16	6 1/4		
8-8V2120M	M	A-2	3 1/16	6 1/4		
8-8V2240M	M	A-3	3 1/16	6 1/4		
8-8V2480N	N	A-3	2 1/4	8 1/8		
8-8V3000N	N	A-3	2 1/4	8 1/8		
8-8V3550N	N	A-3	2 1/4	8 1/8		
8-8V4000N	N	A-3	2 1/4	8 1/8		

\*Suffix on Type indicates construction:  
1=Solid 2=Web 3=Arm/Spoke

sheaves are precision machined from gray cast iron, statically balanced, epoxy powder coating and individually packaged or lagged.

Order bushings separately from page B - 1.

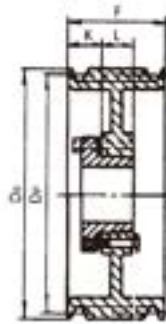




# S H E A V E

## Heavy Duty QD Sheaves

Ten Groove QD 8V Sheaves



TYPE A



Diameters		10 Groove F = 7 3/16				
D <sub>0</sub>	D <sub>p</sub>	Part No.	Bush	Type*	K	L
12.50"	12.30"	10-8V1250J	J	A-1	3 1/16"	4 1/8"
13.20	13.00	10-8V1320J	J	A-1	3 1/16	4 1/8
14.00	13.80	10-8V1400J	J	A-1	3 1/16	6 1/4
15.00	14.80	10-8V1500M	M	A-1	3 1/16	6 1/4
16.00	15.80	10-8V1600M	M	A-2	3 1/16	6 1/4
17.00	16.80	10-8V1700M	M	A-2	3 1/16	6 1/4
18.00	17.80	10-8V1800M	M	A-2	3 1/16	6 1/4
19.00	18.80	10-8V1900M	M	A-2	3 1/16	6 1/4
20.00	19.80	10-8V2000M	M	A-2	3 1/16	6 1/4
21.20	21.00	10-8V2120M	M	A-2	3 1/16	6 1/4
22.40	22.20	10-8V2240N	N	A-2	2 1/4	8 1/8
24.80	24.60	10-8V2480N	N	A-2	2 1/4	8 1/8
30.00	29.80	10-8V3000N	N	A-2	2 1/4	8 1/8

\*Suffix on Type indicates construction:  
1=Solid 2=Web 3=Arm/Spoke

sheaves are precision machined from gray cast iron, statically balanced, epoxy powder coating and individually packaged or lagged.

Order bushings separately from page B - 1.