

# WEG Standard Product Catalog

Washdown Motors | Fractional | Air Handling



Register to keep your  
catalog up-to-date



## THREE -PHASE

### HYDRODUTY™ - STAINLESS STEEL

TEFC - Three-Phase - C-Face Foot Mount	A-137
TENV - Three-Phase - C-Face Foot Mount	A-137
TEFC – Three-Phase C-Face Footless	A-138
TENV – Three-Phase C-Face Footless	A-138
C-Face Foot Mount Optimal Match CFW08 Washdown Drive	A-139
C-Face Footless Optimal Match CFW08 Washdown Drive	A-140

### PICKERPLUS™ - WHITE EPOXY

TEFC - Three-Phase - C-Face Foot Mount	A-141
TEFC – Three-Phase C-Face Footless	A-141

### SHARK™ - STAINLESS STEEL

TEFC / TENV - Three-Phase - C-Face Foot Mount	A-142
TEFC / TENV – Three-Phase C-Face Footless	A-144
C-Face Foot Mount Optimal Match CFW08 Washdown Drive	A-145
C-Face Footless Optimal Match CFW08 Washdown Drive	A-146

### HYDROWASH™ - WHITE EPOXY

TEFC / TENV - Three-Phase - C-Face Foot Mount	A-148
TEFC & TENV – Three-Phase C-Face Footless	A-149
TEFC – Three-Phase C-Face Rigid Base	A-149
C-Face Foot Mount Optimal Match CFW08 Washdown Drive	A-150
C-Face Footless Optimal Match CFW08 Washdown Drive	A-151
C-Face Rigid Base Optimal Match CFW08 Washdown Drive	A-151

### WASHDOWN DUTY VARIABLE FREQUENCY DRIVE

CFW500 - N4X/IP66 w/o Disconnect Switch	A-153
CFW500 - N4X/IP66 w/ Disconnect Switch	A-154
CFW500 Options and Accessories	A-155
CFW500 Technical Data	A-156

Need help crossing your existing Leeson or ABB washdown motors to WEG? Here is a list you can use.

Catalog#	HP	RPM	Frame	Volts	Leeson	ABB
1321087115	0.5	1800	56C	230/460	117119.00	CFSWDM3538-E
1323087110	0.75	3600	56C	230/460	117120.00	CFSWDM3541-E
1321087113	0.75	1800	56C	230/460	117121.00	CFSWDM3542-E
1313087161	1	3600	56C	230/460	117130.00	CFSWDM3545-E
1321087112	1	1800	56C	230/460	119973.00	CFSWDM3546-E
1321087119	1	1800	143TC	230/460	119512.00	CFSWDM3546T-E
1311087138	1	1200	56C	230/460	119492.00	CFSWDM3556-E
1313087154	1.5	3600	56C	230/460	121874.00	CFSWDM3550-E
1311087110	1.5	1800	56C	230/460	119494.00	CFSWDM3554-E
1311087111	1.5	1800	145TC	230/460	121875.00	CFSWDM3554T-E
1313087152	2	3600	56C	230/460	191562.00	CFSWDM3555-E
1313087153	2	3600	145TC	230/460	121876.00	CFSWDM3555T-E
1311087113	2	1800	145TC	230/460	121877.00	CFSWDM3558T-E
1311087114	2	1800	56C	230/460	119495.00	CFSWDM3558-E
00336ET3EHD182TC	3	3600	182TC	230/460	132646.00	CFSWDMN3610T-E
00318ET3EHD182TC	3	1800	182TC	230/460	132647.00	CFSWDM3611T-E
00536ET3EHD184TC	5	3600	184TC	230/460	132648.00	CFSWDM3613T-E
00518ET3EHD184TC	5	1800	184TC	230/460	132649.00	CFSWDM3615T-E
00736ET3EHD213TC	7.5	3600	213TC	230/460	141409.00	CFSWDM3709T-E
00718ET3EHD213TC	7.5	1800	213TC	230/460	141410.00	CFSWDM3710T-E
01036ET3EHD215TC	10	3600	215TC	230/460	141411.00	CFSWDM3711T-E
01018ET3EHD215TC	10	1800	215TC	230/460	141412.00	CFSWDM3714T-E

## Encapsulated Washdown Motors

THREE -PHASE

Encapsulated winding and a patented sealing system to ensure they will “standup” in the most severe applications.

### HydroDuty™



### Our Ultimate Washdown Motor

- This is our ultimate stainless steel waterproof motor. It has been proven to provide 75% more cycles than other brands through extreme environment testing.
- Significantly reduces motor replacement and downtime costs
- Meets NEMA MG1 Part 31 for InverterDuty operation; 10:1 CT; 10:1 VT

**Extreme Expansion  
Now up to 10 HP!**

#### Performance Specifications

- 1/2 to 10 hp, 860, 1140, 1725 or 3450 RPM
- TENV or TEFC enclosures
- NEMA Frames 56C, 143TC, 145TC and 182TC
- Metric Frame 80-B5 and 100L
- Meets IP69K enclosure protection

### PickerPlus™



### Severe Duty Feather Picker Motor

- Withstands frequent sanitizing with high pressure sprays and caustic fluids.
- Designed to withstand extreme side loading requirements
- Inverter Duty operation; 5:1 CT 10:1 VT

#### Performance Specifications

- 3 hp, 1725 RPM
- TEFC enclosure
- 145TC NEMA or 100L Metric Frames
- Footless or Base Mounted
- C-Face
- Meets IP69K enclosure protection

Wash Down Duty

## General Purpose Washdown Motors

### Shark™



### Stainless Steel Washdown Motor

- For use in food processing, pharmaceutical and other applications requiring extreme cleanliness
- Class F epoxy insulation
- Meets NEMA MG1 Part 31 for Inverter Duty operation; 6:1 CT; 10:1 VT

**Now up to 30 HP!**

#### Performance Specifications

- 1-10 hp NEMA Premium
- 1800 and 3600 RPM
- TEFC enclosures
- Frames 143TC to 215TC
- Base Mounted
- Meets IP56 enclosure protection

### HydroWash™



### White Painted Washdown Motor

- Designed for long service life in general purpose washdown applications
- It provides extended service life that can reduce your downtime costs for motor replacement
- Meets NEMA MG1 Part 31 for Inverter Duty operation; 6:1 CT; 10:1 VT

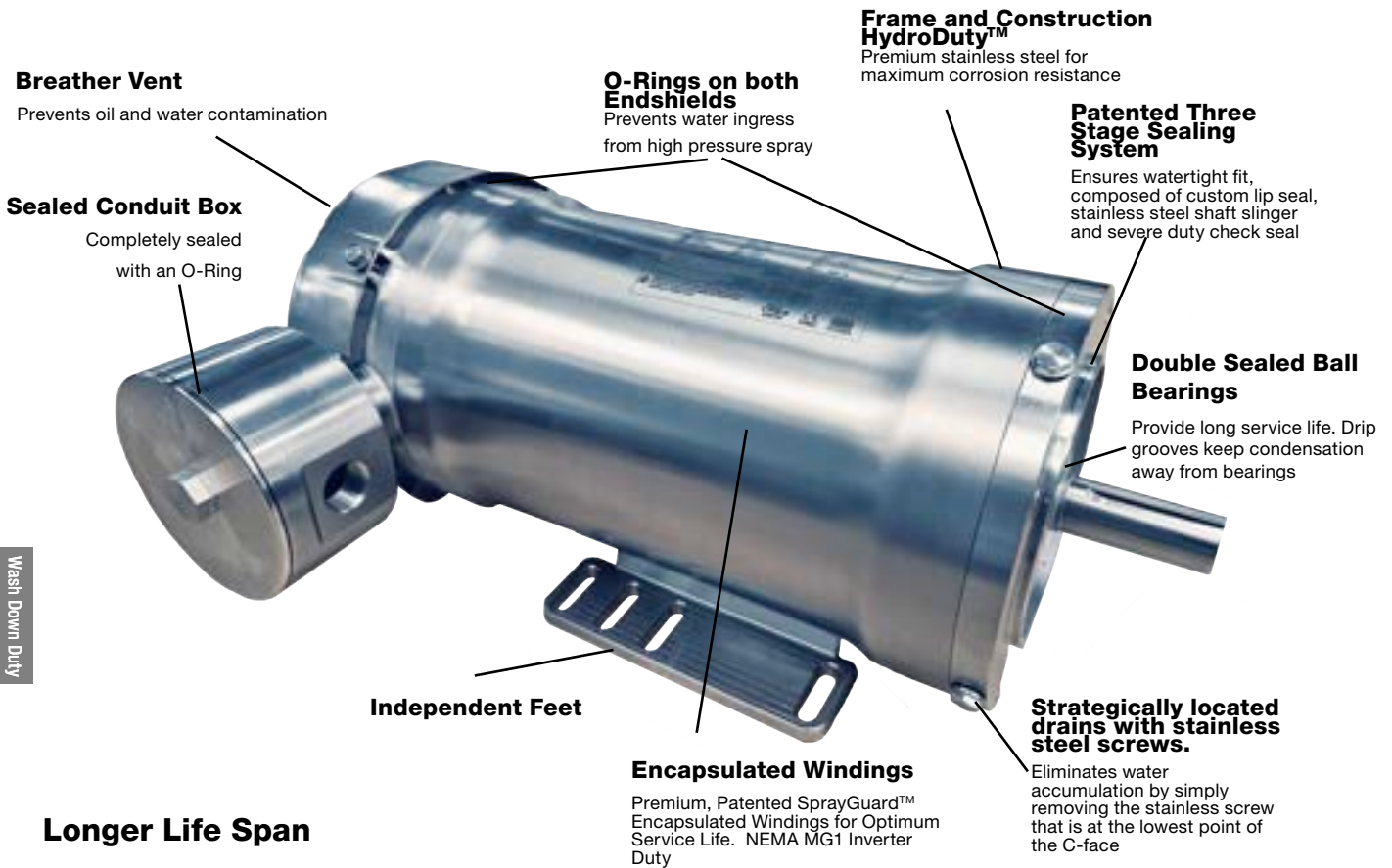
#### Performance Specifications

- 1/2 to 25hp
- TENV or TEFC enclosures
- NEMA Frames 56C - 256TC
- Footless or Base Mounted
- Meets IP56 enclosure protection

Please refer to inside back cover for description of “NOTES”

For detailed specifications, data sheets, drawings and performance curves visit [http:// www.weg.net](http://www.weg.net)

### HydroDuty - Food Safe Construction



### Longer Life Span

### HydroDuty General features

Applicable for the complete line

- Available from 0.5HP up to 10 HP
- TENV or TEFC enclosures
- NEMA Frames 56C, 143/5TC, 183/4TC and 210TC
- Independent Feet
- Food Safe Construction
- IP69K Certified
- Inverter Rated
- Internal Aegis Shaft Grounding ring available upon inquiry
- Warranty Includes Water Ingress for 12 months after installation.
- If water causes the motor to fail WEG considers this a defect in materials and workmanship.
- NEMA Premium design
- This is our ultimate stainless steel waterproof motor. It has been proven to provide 75% more cycles than other brands through extreme environment testing.
- Significantly reduces motor replacement and downtime costs
- EZ-Connect available for 56, 143/5TC
- 300 Stainless Steel Series Construction



Please refer to back cover for description of "NOTES" inside

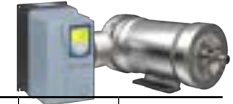
For detailed specifications, data sheets, drawings and performance curves visit <http://www.weg.net>



# Encapsulated Wash Down Duty

THREE -PHASE

Optimal Match - page 139



## HydroDuty™ - Stainless Steel - TEFC - C-Face - Foot Mount

HP	kW	RPM	Frame	Model Number	List Price	Mult. Symbol	Approx. Shipping Weight (lbs)	Service Factor	FL Amps @ High	FL Eff (%)	"C" Dimension Standard/EZ Model	Voltage (V)	Notes
0.5	0.37	1200	56C	<a href="#">1311087133</a>	<b>\$1,694</b>	S3	52	1.15	1.10	75.5	13.99/13.88	230/460	21;41
		1800	56C	<a href="#">1311087121</a>	<b>\$1,544</b>	S3	46	1.15	1.30	81.5	13.24/13.88	230/460	21;41
0.75	0.55	900	56C	<a href="#">1311087159</a>	<b>\$1,794</b>	S3	61	1.00	2.70	70.0	15.42/15.63	230/460	1;21
		3600	56C	<a href="#">1313087156</a>	<b>\$1,601</b>	S3	48	1.15	1.50	77.0	13.24/13.88	460	21;41
1	0.75	1800	56C	<a href="#">1311087115</a>	<b>\$1,619</b>	S3	53	1.15	1.60	85.5	14.49/14.63	230/460	21;41
		1800	143TC	<a href="#">1311087124</a>	<b>\$1,642</b>	S3	53	1.15	1.60	85.5	14.60/14.69	230/460	21;41
		1200	56C	<a href="#">1311087138</a>	<b>\$1,875</b>	S3	62	1.15	1.90	82.5	15.49/15.63	230/460	21;41
		1200	145TC	<a href="#">1311087130</a>	<b>\$1,868</b>	S3	62	1.15	1.90	82.5	15.56/15.69	230/460	21;41
1.5	1.1	3600	56C	<a href="#">1313087154</a>	<b>\$1,658</b>	S3	49	1.15	2.30	84.0	13.24/13.88	230/460	21;41
		1800	56C	<a href="#">1311087110</a>	<b>\$1,683</b>	S3	55	1.15	2.20	84.0	15.49/15.63	230/460	21;41
		1800	145TC	<a href="#">1311087111</a>	<b>\$1,706</b>	S3	55	1.15	2.20	84.0	15.56/15.69	230/460	21;41
2	1.5	3600	56C	<a href="#">1313087152</a>	<b>\$1,958</b>	S3	54	1.15	2.90	85.5	13.99/14.63	230/460	21;41
		3600	145TC	<a href="#">1313087153</a>	<b>\$1,976</b>	S3	54	1.15	2.90	85.5	14.06/14.69	230/460	21;41
		1800	56C	<a href="#">1311087114</a>	<b>\$1,981</b>	S3	62	1.15	2.80	86.5	15.49/15.63	230/460	21;41
		1800	145TC	<a href="#">1311087113</a>	<b>\$2,005</b>	S3	62	1.15	2.80	86.5	15.56/15.69	230/460	21;41
3	2.2	1800	184TC	<a href="#">H311007111<sup>1</sup></a>	<b>\$2,905</b>	S3	113	1.15	4.30	89.5	19.09	230/460	1;21
5	3.7	1800	184TC	<a href="#">H311007110<sup>1</sup></a>	<b>\$3,305</b>	S3	121	1.00	6.70	89.5	19.09	230/460	1;21
3	2.2	3600	182TC	<a href="#">00336ET3EHD182TC</a>	<b>\$2,915</b>	S3	90	1.15	3.8	86.5	15.78	230/460	21, 45
3	2.2	1800	182TC	<a href="#">00318ET3EHD182TC</a>	<b>\$2,875</b>	S3	85	1.15	3.9	89.5	15.78	230/460	21, 45
5	3.7	3600	184TC	<a href="#">00536ET3EHD184TC</a>	<b>\$3,500</b>	S3	103	1.15	6.2	88.5	15.78	230/460	21, 45
5	3.7	1800	184TC	<a href="#">00518ET3EHD184TC</a>	<b>\$3,305</b>	S3	160	1.15	6.3	89.5	15.78	230/460	21, 45
7.5	5.5	3600	213TC	<a href="#">00736ET3EHD213TC</a>	<b>\$4,151</b>	S3	203	1.15	9.3	89.5	19.18	230/460	21, 45
7.5	5.5	1800	213TC	<a href="#">00718ET3EHD213TC</a>	<b>\$4,280</b>	S3	173	1.15	9.6	91.7	19.18	230/460	21, 45
10	7.5	3600	215TC	<a href="#">01036ET3EHD215TC</a>	<b>\$4,693</b>	S3	213	1.15	11.8	90.2	19.18	230/460	21, 45
10	7.5	1800	215TC	<a href="#">01018ET3EHD215TC</a>	<b>\$4,968</b>	S3	205	1.15	13.2	91.7	19.18	230/460	21, 45

Wash Down Duty

## HydroDuty™ - Stainless Steel - TENV - C-Face - Foot Mount

HP	kW	RPM	Frame	EZ Connect Model Number	List Price	Mult. Symbol	Approx. Shipping Weight (lbs)	Service Factor	FL Amps @ High	FL Eff (%)	"C" Dimension Standard/EZ Model	Voltage (V)	Notes
0.5	0.37	3600	56C			S3	46	1.15	0.80	74.0	11.4	230/460	21;41
		1800	56C	<a href="#">1321087115</a>	<b>\$1,439</b>	S3	45	1.00	0.90	78.5	11.40/12.87	230/460	1;21;41
0.75	0.55	3600	56C	<a href="#">1323087110</a>	<b>\$1,460</b>	S3	52	1.15	1.10	77.0	12.15/12.87	230/460	21;41
		1800	56C	<a href="#">1321087113</a>	<b>\$1,483</b>	S3	50	1.00	1.20	81.5	12.15/12.87	230/460	1;21;41
1	1.75	1800	56C	<a href="#">1321087112</a>	<b>\$1,591</b>	S3	58	1.00	1.60	85.5	13.15/13.62	230/460	1;21;41
		1800	56C	<a href="#">1321087139**</a>	<b>\$1,696</b>	S3	58	1.00	1.60	85.5	13.15/13.62	230/460	21;41
		1800	143TC/56C <sup>2</sup>	<a href="#">1321087119</a>	<b>\$1,615</b>	S3	58	1.00	1.60	85.5	13.22/13.68	230/460	1;21;41

\*\*Low temperature ratings

All ratings are 208-230/460; 40° C ambient; Class F insulation

56 and 145 Frame models also rated 230/460, 50Hz, 1.0SF

<sup>1</sup> Regular terminal box

<sup>2</sup> EZ-Connect model is 56C frame.

Notes:

1) 1.0 service factor

21) Stainless Steel B

41) Also rated 230/460V 50Hz 1.0

45) Also rated 380V 50Hz

# Encapsulated Wash Down Duty

THREE -PHASE



Find the Optimal Match for your HydroDuty™ Motor on page 140



## HydroDuty™ - Stainless Steel - TEFC - C-Face - Footless

HP	kW	RPM	Frame	EZ Connect Model Number	List Price	Mult. Symbol	Approx. Shipping Weight (lbs)	Service Factor	FL Amps @ High	FL Eff (%)	"C" Dimension Standard/EZ Model	Voltage (V)	Notes
0.75	0.55	1725	56C	<a href="#">1311087122</a>	\$1,526	S3	45	1.15	1.30	81.5	13.24/13.88	230/460	1;20;21
1	0.75	3450	56C	<a href="#">1313087161</a>	\$1,581	S3	47	1.15	1.50	77.0	13.24/13.88	230/460	20;21;41
		1725	56C	<a href="#">1311087123</a>	\$1,601	S3	52	1.15	1.60	85.5	14.49/14.63	230/460	1;20;21
		1725	143TC	<a href="#">1311087125</a>	\$1,626	S3	52	1.15	1.60	85.5	14.56/14.69	230/460	1;20;21
1.5	1.1	1725	56C	<a href="#">1311087117</a>	\$1,663	S3	54	1.15	2.20	86.5	15.49/15.63	230/460	1;20;21
		1725	145TC	<a href="#">1311087118</a>	\$1,688	S3	54	1.15	2.20	86.5	15.56/15.69	230/460	1;20;21
2	1.5	1725	56C	<a href="#">1311087119</a>	\$1,962	S3	61	1.15	2.80	86.5	15.49/15.63	230/460	1;20;21
		1725	145TC	<a href="#">1311087120</a>	\$1,985	S3	61	1.15	2.80	86.5	15.56	230/460	1;20;21
3	2.2	1725	184TC	<a href="#">H311007113</a> <sup>(1)</sup>	\$2,805	S3	112	1.15	4.30	89.5	19.09	230/460	1;20;21
5	3.7	1725	184TC	<a href="#">H311007112</a> <sup>(1)</sup>	\$3,295	S3	120	1.00	6.70	89.5	19.09	230/460	1;20;21

Wash Down Duty

## HydroDuty™ - Stainless Steel - TENV - C-Face - Footless

HP	kW	RPM	Frame	EZ Connect Model Number	List Price	Mult. Symbol	Approx. Shipping Weight (lbs)	Service Factor	FL Amps @ High	FL Eff (%)	"C" Dimension Standard/EZ Model	Voltage (V)	Notes
0.5	0.37	1725	56C	<a href="#">1321087121</a>	\$1,421	S3	44	1.00	0.85	81.5	11.40/12.8	230/460	1;20;21;41
0.75	0.55	3450	56C	<a href="#">1323087114</a>	\$1,443	S3	51	1.15	1.10	77.0	12.15/12.8	230/460	1;20;21
		1725	56C	<a href="#">1321087117</a>	\$1,465	S3	49	1.00	1.20	81.5	12.15/12.8	230/460	1;20;21;41
1	0.75	1725	56C	<a href="#">1321087125</a>	\$1,572	S3	57	1.00	1.60	85.5	13.15/13.62	230/460	1;20;21;41
		1725	56C	<a href="#">1321087140**</a>	\$1,676	S3	58	1.00	1.60	85.5	13.15/13.62	230/460	1;20;21;41
		1725	143TC	<a href="#">1321087124</a>	\$1,595	S3	57	1.00	1.60	85.5	13.22/13.68	230/460	1;20;21;41
		1725	100L	<a href="#">1321087158</a>	\$1,891	S3	52	1.00	1.60	85.5	13.44/13.91	230/460	1;20;21

\*\*Low temperature ratings

All ratings are 208-230/460; 40° C ambient; Class F insulation

56 and 145 Frame models also rated 230/460, 50HZ, 1.0SF

<sup>1</sup> Regular terminal box



1. Insert the incoming power leads thru the waterproof Seal.



1

2. Grommets automatically align the leads to the correct slot.



2

3. Push the levers closed.



3

Please refer to inside back cover for description of "NOTES"

For detailed specifications, data sheets, drawings and performance curves visit <http://www.weg.net>



## HydroDuty™ Motor and CFW500 Washdown Drive Quick Selection Guide

### C-Face Foot Mount

HP	RPM	Volts	EZ Connect Model	Motor List Price	FL Amps @ high	230V Drive	Drive List Price	460V Drive	Drive List Price
0.5	3600	230/460		\$1,416	0.80	<a href="#">CFW500A02P6B2DB66G2</a>	\$800	<a href="#">CFW500A01P0T4DB66G2</a>	\$950
	1800	230/460	<a href="#">1321087115</a>	\$1,439	0.90	<a href="#">CFW500A02P6B2DB66G2</a>	\$800	<a href="#">CFW500A01P0T4DB66G2</a>	\$950
0.75	1200	230/460	<a href="#">1311087133</a>	\$1,694	1.10	<a href="#">CFW500A02P6B2DB66G2</a>	\$800	<a href="#">CFW500A01P6T4DB66G2</a>	\$975
	3600	230/460	<a href="#">1323087110</a>	\$1,460	1.10	<a href="#">CFW500A02P6B2DB66G2</a>	\$800	<a href="#">CFW500A01P6T4DB66G2</a>	\$975
	1800	230/460	<a href="#">1321087113</a>	\$1,483	1.20	<a href="#">CFW500A02P6B2DB66G2</a>	\$800	<a href="#">CFW500A01P6T4DB66G2</a>	\$975
	1800	230/460	<a href="#">1311087121</a>	\$1,544	1.30	<a href="#">CFW500A02P6B2DB66G2</a>	\$800	<a href="#">CFW500A01P6T4DB66G2</a>	\$975
1	900	460	<a href="#">1311087159</a>	\$1,794	2.70			<a href="#">CFW500A04P3T4DB66G2</a>	\$1,175
	3600	230/460	<a href="#">1313087156</a>	\$1,601	1.50	<a href="#">CFW500A04P3B2DB66G2</a>	\$850	<a href="#">CFW500A01P6T4DB66G2</a>	\$975
	1800	230/460	<a href="#">1321087112</a>	\$1,591	1.60	<a href="#">CFW500A04P3B2DB66G2</a>	\$850	<a href="#">CFW500A01P6T4DB66G2</a>	\$975
	1800	230/460	<a href="#">1311087115</a>	\$1,619	1.60	<a href="#">CFW500A04P3B2DB66G2</a>	\$850	<a href="#">CFW500A01P6T4DB66G2</a>	\$975
	1800	230/460	<a href="#">1321087139</a>	\$1,696	1.60	<a href="#">CFW500A04P3B2DB66G2</a>	\$850	<a href="#">CFW500A01P6T4DB66G2</a>	\$975
	1800	230/460	<a href="#">1321087119</a>	\$1,615	1.60	<a href="#">CFW500A04P3B2DB66G2</a>	\$850	<a href="#">CFW500A01P6T4DB66G2</a>	\$975
	1800	230/460	<a href="#">1311087124</a>	\$1,642	1.60	<a href="#">CFW500A04P3B2DB66G2</a>	\$850	<a href="#">CFW500A01P6T4DB66G2</a>	\$975
	1200	230/460	<a href="#">1311087138</a>	\$1,875	1.90	<a href="#">CFW500A04P3B2DB66G2</a>	\$850	<a href="#">CFW500A02P6T4DB66G2</a>	\$990
1.5	1200	230/460	<a href="#">1311087130</a>	\$1,886	1.90	<a href="#">CFW500A04P3B2DB66G2</a>	\$850	<a href="#">CFW500A02P6T4DB66G2</a>	\$990
	3600	230/460	<a href="#">1313087154</a>	\$1,658	2.30	<a href="#">CFW500A07P3B2DB66G2</a>	\$1,015	<a href="#">CFW500A02P6T4DB66G2</a>	\$990
	1800	230/460	<a href="#">1311087110</a>	\$1,683	2.20	<a href="#">CFW500A07P3B2DB66G2</a>	\$1,015	<a href="#">CFW500A02P6T4DB66G2</a>	\$990
	1800	230/460	<a href="#">1311087111</a>	\$1,706	2.20	<a href="#">CFW500A07P3B2DB66G2</a>	\$1,015	<a href="#">CFW500A02P6T4DB66G2</a>	\$990
2	3600	230/460	<a href="#">1313087152</a>	\$1,958	2.90	<a href="#">CFW500A07P3B2DB66G2</a>	\$1,015	<a href="#">CFW500A04P3T4DB66G2</a>	\$1,175
	3600	230/460	<a href="#">1313087153</a>	\$1,976	2.90	<a href="#">CFW500A07P3B2DB66G2</a>	\$1,015	<a href="#">CFW500A04P3T4DB66G2</a>	\$1,175
	1800	230/460	<a href="#">1311087114</a>	\$1,981	2.80	<a href="#">CFW500A07P3B2DB66G2</a>	\$1,015	<a href="#">CFW500A04P3T4DB66G2</a>	\$1,175
	1800	230/460	<a href="#">1311087113</a>	\$2,005	2.80	<a href="#">CFW500A07P3B2DB66G2</a>	\$1,015	<a href="#">CFW500A04P3T4DB66G2</a>	\$1,175
3	1800	230/460	<a href="#">H311007111</a>	\$4,210	4.30	<a href="#">CFW500A10P0B2DB66G2</a>	\$1,095	<a href="#">CFW500A04P3T4DB66G2</a>	\$1,175
5	1800	230/460	<a href="#">H311007110</a>	\$4,953	6.70	<a href="#">CFW500A16P0T2DB66G2</a>	\$1,350	<a href="#">CFW500A10P0T4DB66G2</a>	\$1,650

Wash Down Duty

Please refer to inside back cover for description of "NOTES"

For detailed specifications, data sheets, drawings and performance curves visit [http:// www.weg.net](http://www.weg.net)

Data subject to change without notice.



## HydroDuty™ Motor and CFW500 Washdown Drive Quick Selection Guide

### C-Face Footless

HP	RPM	Volts	EZ Connect Model	Motor List Price	460V Amps	230V Drive	Drive List Price	460V Drive	Drive List Price
0.50	1800	230/460	<a href="#">1321087121</a>	\$1,421	0.85	<a href="#">CFW500A02P6B2DB66G2</a>	\$800	<a href="#">CFW500A01P0T4DB66G2</a>	\$950
0.75	3600	230/460	<a href="#">1323087114</a>	\$1,443	1.10	<a href="#">CFW500A02P6B2DB66G2</a>	\$800	<a href="#">CFW500A01P6T4DB66G2</a>	\$975
	1800	230/460	<a href="#">1321087117</a>	\$1,465	1.20	<a href="#">CFW500A02P6B2DB66G2</a>	\$800	<a href="#">CFW500A01P6T4DB66G2</a>	\$975
		230/460	<a href="#">1311087122</a>	\$1,526	1.30	<a href="#">CFW500A02P6B2DB66G2</a>	\$800	<a href="#">CFW500A01P6T4DB66G2</a>	\$975
	1	3600	230/460	<a href="#">1313087161</a>	\$1,581	1.50	<a href="#">CFW500A04P3B2DB66G2</a>	\$850	<a href="#">CFW500A01P6T4DB66G2</a>
230/460			<a href="#">1321087125</a>	\$1,572	1.60	<a href="#">CFW500A04P3B2DB66G2</a>	\$850	<a href="#">CFW500A01P6T4DB66G2</a>	\$975
1800		230/460	<a href="#">1321087140</a>	\$1,676	1.60	<a href="#">CFW500A04P3B2DB66G2</a>	\$850	<a href="#">CFW500A01P6T4DB66G2</a>	\$975
		230/460	<a href="#">1311087123</a>	\$1,601	1.60	<a href="#">CFW500A04P3B2DB66G2</a>	\$850	<a href="#">CFW500A01P6T4DB66G2</a>	\$975
		230/460	<a href="#">1321087124</a>	\$1,595	1.60	<a href="#">CFW500A04P3B2DB66G2</a>	\$850	<a href="#">CFW500A01P6T4DB66G2</a>	\$975
		230/460	<a href="#">1311087125</a>	\$1,626	1.60	<a href="#">CFW500A04P3B2DB66G2</a>	\$850	<a href="#">CFW500A01P6T4DB66G2</a>	\$975
		230/460	<a href="#">1321087158</a>	\$1,891	1.60	<a href="#">CFW500A04P3B2DB66G2</a>	\$850	<a href="#">CFW500A01P6T4DB66G2</a>	\$975
		230/460	<a href="#">1311087117</a>	\$1,663	2.20	<a href="#">CFW500A07P3B2DB66G2</a>	\$1,015	<a href="#">CFW500A02P6T4DB66G2</a>	\$990
1.5	1800	230/460	<a href="#">1311087118</a>	\$1,688	2.20	<a href="#">CFW500A07P3B2DB66G2</a>	\$1,015	<a href="#">CFW500A02P6T4DB66G2</a>	\$990
		230/460	<a href="#">1311087119</a>	\$1,962	2.80	<a href="#">CFW500A07P3B2DB66G2</a>	\$1,015	<a href="#">CFW500A04P3T4DB66G2</a>	\$1,175
2	1800	230/460	<a href="#">1311087120</a>	\$1,985	2.80	<a href="#">CFW500A07P3B2DB66G2</a>	\$1,015	<a href="#">CFW500A04P3T4DB66G2</a>	\$1,175
		230/460	<a href="#">H311007113</a>	\$4155	4.30	<a href="#">CFW500A10P0B2DB66G2</a>	\$1,095	<a href="#">CFW500A04P3T4DB66G2</a>	\$1,175
3	1800	230/460	<a href="#">H311007112</a>	\$4294	6.70	<a href="#">CFW500A16P0T2DB66G2</a>	\$1,350	<a href="#">CFW500A10P0T4DB66G2</a>	\$1,650

Please refer to inside back cover for description of "NOTES"

For detailed specifications, data sheets, drawings and performance curves visit <http://www.weg.net>





# Encapsulated Wash Down Duty

THREE -PHASE

## PickerPlus™ - White Epoxy - TEFC - C-Face - Foot Mount

HP	kW	RPM	Frame	Catalog Number	List Price	Mult. Symbol	Approx. Shipping Weight (lbs)	Service Factor	FL Amps @ High	FL. Eff (%)	"C" Dimension (in)	Voltage (V)	Notes
3	2.2	1800	145TC	<a href="#">1311017192</a>	<b>\$1,736</b>	S3	68	1.00	4.40	81.5	15.560	230/460	1;9
3	2.2	1800	100L	<a href="#">1311017196</a>	<b>\$1,852</b>	S3	68	1.00	4.40	81.5	15.780	230/460	1;9



## PickerPlus™ - White Epoxy - TEFC - C-Face - Footless

HP	kW	RPM	Frame	Catalog Number	List Price	Mult. Symbol	Approx. Shipping Weight (lbs)	Service Factor	FL Amps @ High	FL. Eff (%)	"C" Dimension (in)	Voltage (V)	Notes
3	2.2	1800	100L-B14	<a href="#">1311017195</a>	<b>\$1,803</b>	S3	66	1.00	4.40	81.5	15.780	230/460	1;9;20
3	2.2	1800	100L-B5	<a href="#">1311017191</a>	<b>\$1,820</b>	S3	71	1.00	4.40	81.5	16.180	230/460	1;9;20

Wash Down Duty

Please refer to inside back cover for description of "NOTES"

For detailed specifications, data sheets, drawings and performance curves visit [http:// www.weg.net](http://www.weg.net)

Data subject to change without notice.

Can't find what you are looking for? Call **1-800-ASK-4WEG (275-4934)** **A-141**

# General Purpose Wash Down Duty



THREE-PHASE

Find the Optimal Match for your Shark™ Motor on page 145



New Ratings - Now up to 30 HP



## Shark™ - Stainless Steel - TEFC & TENV - C-Face - Foot Mount

Wash Down Duty

HP	kW	RPM	Frame	Catalog Number	List Price	Mult. Symbol	Approx. Shipping Weight (lbs)	Enclosure	Service Factor	FL Amps @ High	FL Eff (%)	"C" Dimension (in)	Voltage (V)	Notes
0.33	0.25	1800	56C	.3318NP3ESS56C	\$675	S1	29	TENV	1.15	0.53	79.8	11.250	230/460	17;21
		3600	56C	.3336NP3ESS56C	\$675	S1	25	TENV	1.15	0.54	71	10.236	230/460	21, 17
0.50	0.37	3600	56C	.5036EP3ESS56C	\$618	S1	30	TENV	1.15	0.65	78.3	11.250	230/460	17;21
		1800	56C	.5018EP3ESS56C	\$696	S1	33	TENV	1.15	0.73	81.2	11.250	230/460	17;21
		1200	56C	.5012EP3ESS56C	\$760	S1	34	TENV	1.15	0.86	79.1	11.670	230/460	17;21
0.75	0.55	3600	56C	.7536EP3ESS56C	\$681	S1	30	TENV	1.15	1.02	81.9	11.250	230/460	17;21
		1800	56C	.7518EP3ESS56C	\$798	S1	34	TENV	1.15	1.06	81.3	11.250	230/460	17;21
		1200	56HC	.7512EP3ESS56C	\$868	S1	41	TENV	1.15	1.22	82.9	11.670	230/460	17;21
1	0.75	3600	56HC	00136ET3ESS56C	\$836	S1	38	TEFC	1.15	1.45	77.0	14.000	230/460	21
		3600	56HC	00136NT3HSS56C	\$912	S1	34	TENV	1.15	1.16	77	11.772	575	21, 17
		3600	56HC	00136NT3ESS56C	\$912	S1	39	TENV	1.15	1.45	77.0	11.940	230/460	17;21
		1800	56HC	00118ET3ESS56C	\$994	S1	38	TEFC	1.15	1.46	85.5	14.000	230/460	21
		1800	56HC	00118NT3ESS56C	\$834	S1	38	TENV	1.15	1.46	85.5	11.940	230/460	17;21
		1800	56HC	00118NT3HSS56C	\$845	S1	34	TENV	1.15	1.17	85.5	11.772	575	21, 17
		1800	143TC	00118ET3ESS143TC	\$1,042	S1	38	TEFC	1.15	1.46	85.5	13.400	230/460	21
		1800	143TC	00118NT3ESS143TC	\$1,026	S1	38	TENV	1.15	1.46	85.5	11.210	230/460	17;21
		1200	56HC	00112ET3ESS56C	\$1,070	S1	44	TEFC	1.15	1.67	82.5	14.016	230/460	21
		1200	143TC	00112ET3ESS143TC	\$1,110	S1	45	TEFC	1.15	1.67	82.5	14.134	230/460	21
1.5	1.1	3600	56HC	00156ET3ESS56C	\$1,023	S1	41	TEFC	1.15	1.99	84.0	14.000	230/460	21
		1800	56HC	00158ET3ESS56C	\$1,041	S1	44	TEFC	1.15	2.06	86.5	14.000	230/460	21
		1800	145TC	00158ET3ESS145TC	\$1,082	S1	43	TEFC	1.15	2.06	86.5	14.200	230/460	21
2	1.5	3600	56HC	00236ET3ESS56C	\$1,146	S1	47	TEFC	1.15	2.55	85.5	14.000	230/460	21
		3600	145TC	00236ET3ESS145TC	\$1,290	S1	45	TEFC	1.15	2.55	85.5	14.200	230/460	21
		3600	56HC	00236ET3HSS56C	\$1,146	S1	45	TEFC	1.15	2.04	85.5	14.016	575	21
		1800	56HC	00218ET3ESS56C	\$1,164	S1	51	TEFC	1.15	2.71	86.5	14.000	230/460	21
		1800	56C	00218ET3HSS56C	\$1,164	S1	48	TEFC	1.15	2.16	86.5	14.016	575	21
		1800	145TC	00218ET3ESS145TC	\$1,257	S1	52	TEFC	1.15	2.78	86.5	13.600	230/460	21
3	2.2	3600	182TC	00336ET3ESS182TC	\$1,989	S1	100	TEFC	1.15	3.73	86.5	17.300	230/460	21
		3600	182TC	00336ET3HSS182TC	\$1,989	S1	84	TEFC	1.15	2.99	86.5	17.244	575	21
		1800	182TC	00318ET3HSS182TC	\$1,908	S1	86	TEFC	1.15	3.14	89.5	17.244	575	21
		1800	182TC	00318ET3ESS182TC	\$1,908	S1	113	TEFC	1.15	3.92	89.5	17.100	230/460	21

continued on next page

Please refer to inside back cover for description of "NOTES"

For detailed specifications, data sheets, drawings and performance curves visit <http://www.weg.net>

### Shark™ - Stainless Steel - TEFC & TENV - C-Face - Foot Mount

HP	kW	RPM	Frame	Catalog Number	List Price	Mult. Symbol	Approx. Shipping Weight (lbs)	Enclosure	Service Factor	FL Amps @ High	FL. Eff (%)	"C" Dimension (in)	Voltage (V)	Notes
5	3.7	3600	184TC	00536ET3ESS184TC	\$2,298	S1	111	TEFC	1.15	6.01	88.5	17.900	230/460	21
		3600	184TC	00536ET3HSS184TC	\$2,298	S1	92	TEFC	1.15	4.81	88.5	17.835	575	21
		1800	184TC	00518ET3HSS184TC	\$2,230	S1	93	TEFC	1.15	5.23	89.5	17.835	575	21
		1800	184TC	00518ET3ESS184TC	\$2,230	S1	120	TEFC	1.15	6.54	89.5	17.900	230/460	21
7.5	5.5	3600	213TC	00736ET3ESS213TC	\$3,377	S1	158	TEFC	1.15	8.82	89.5	20.500	230/460	21
		3600	213TC	00736ET3HSS213TC	\$3,377	S1	137	TEFC	1.15	7.05	89.5	20.276	575	21
		1800	213TC	00718ET3HSS213TC	\$3,228	S1	148	TEFC	1.15	7.29	91.7	20.276	575	21
		1800	213TC	00718ET3ESS213TC	\$3,228	S1	173	TEFC	1.15	9.12	91.7	20.500	230/460	21
10	7.5	3600	215TC	01036ET3ESS215TC	\$3,625	S1	177	TEFC	1.15	11.5	90.2	22.000	230/460	21
		1800	215TC	01018ET3ESS215TC	\$3,499	S1	208	TEFC	1.15	12.2	91.7	22.000	230/460	21
15	11	3600	254TC	01536ET3ESS254TC	\$5,990	S1	238	TEFC	1.15	17.34	91	23.661	230/460	21
		1800	254TC	01518ET3ESS254TC	\$5,980	S1	256	TEFC	1.15	18.31	92.4	23.661	230/460	21
20	15	3600	256TC	02036ET3ESS256TC	\$6,550	S1	278	TEFC	1.15	22.87	91	25.236	230/460	21
		1800	256TC	02018ET3ESS256TC	\$6,470	S1	300	TEFC	1.15	23.97	93	25.236	230/460	21
25	19	3600	284TSC	02536ET3ESS284TC	\$7,950	S1	370	TEFC	1.15	28.68	91.7	25.315	230/460	21
		1800	284TC	02518ET3ESS284TC	\$7,750	S1	390	TEFC	1.15	29.08	93.6	26.693	230/460	21
30	22	3600	286TSC	03036ET3ESS286TC	\$8,310	S1	410	TEFC	1.15	34.42	91.7	26.299	230/460	21
		1800	286TC	03018ET3ESS286TC	\$8,200	S1	417	TEFC	1.15	34.9	93.6	27.677	230/460	21

Wash Down Duty



Please refer to inside back cover for description of "NOTES"

For detailed specifications, data sheets, drawings and performance curves visit <http://www.weg.net>

Data subject to change without notice.

# General Purpose Wash Down Duty



THREE -PHASE



Find the Optimal Match for your Shark™ Motor on page 146



## Shark™ - Stainless Steel - TEFC & TENV - C-Face - Footless

HP	kW	RPM	Frame	Catalog Number	List Price	Mult. Symbol	Enclosure	Approx. Shipping Weight (lbs)	Service Factor	FL Amps @ High	FL. Eff (%)	"C" Dimension (in)	Voltage (V)	Notes
0.33	0.25	1800	56C	.3318EP3ESS56CFL	\$667	S1	TENV	28	1.15	0.53	79.8	11.250	230/460	17;20;21
0.50	0.37	3600	56C	.5036EP3ESS56CFL	\$611	S1	TENV	29	1.15	0.65	78.3	11.250	230/460	17;20;21
		1800	56C	.5018EP3ESS56CFL	\$689	S1	TENV	32	1.15	0.73	81.2	11.250	230/460	17;20;21
		1200	56C	.5012EP3ESS56CFL	\$752	S1	TENV	33	1.15	0.86	79.1	11.670	230/460	17;20;21
0.75	0.55	3600	56C	.7536EP3ESS56CFL	\$674	S1	TENV	29	1.15	1.02	81.9	11.250	230/460	17;20;21
		1800	56C	.7518EP3ESS56CFL	\$787	S1	TENV	33	1.15	1.06	81.3	11.250	230/460	17;20;21
		1200	56C	.7512EP3ESS56CFL	\$862	S1	TENV	40	1.15	1.22	82.9	11.670	230/460	17;20;21
1	0.75	3600	56HC	00136ET3ESS56CFL	\$827	S1	TEFC	37	1.15	1.45	77.0	14.000	230/460	20;21
		3600	56HC	00136NT3ESS56CFL	\$898	S1	TENV	38	1.15	1.45	77.0	11.940	230/460	17;20;21
		1800	56HC	00118ET3ESS56CFL	\$981	S1	TEFC	37	1.15	1.46	85.5	14.000	230/460	20;21
		1800	56HC	00118NT3ESS56CFL	\$824	S1	TENV	38	1.15	1.46	85.5	11.940	230/460	17;20;21
		1800	143TC	00118ET3ESS143TCFL	\$1,028	S1	TEFC	38	1.15	1.46	85.5	13.400	230/460	20;21
		1800	143TC	00118NT3ESS143TCFL	\$1013.65	S1	TENV	38	1.15	1.46	85.5	11.210	230/460	17;20;21
1.5	1.1	3600	56HC	00156ET3ESS56CFL	\$1,017	S1	TEFC	40	1.15	1.99	84.0	14.000	230/460	20;21
		3600	143TC	00156ET3ESS143TCFL	\$1,117	S1	TEFC	41	1.15	1.99	84.0	13.400	230/460	20;21
		1800	56HC	00158ET3ESS56CFL	\$1,034	S1	TEFC	43	1.15	2.06	86.5	14.000	230/460	20;21
		1800	145TC	00158ET3ESS145TCFL	\$1,066	S1	TEFC	43	1.15	2.06	86.5	14.200	230/460	20;21
2	1.5	3600	56HC	00236ET3ESS56CFL	\$1,139	S1	TEFC	45	1.15	2.55	85.5	14.000	230/460	20;21
		3600	145TC	00236ET3ESS145TCFL	\$1,275	S1	TEFC	45	1.15	2.55	85.5	14.200	230/460	20;21
		1800	56HC	00218ET3ESS56CFL	\$1,154	S1	TEFC	49	1.15	2.71	86.5	14.000	230/460	20;21
		1800	145TC	00218ET3ESS145TCFL	\$1,198	S1	TEFC	52	1.15	2.78	86.5	13.600	230/460	20;21
3	2.2	3600	145TC	00336ET3ESS145TCFL	\$1,858	S1	TEFC	59	1.15	3.78	86.5	16.200	230/460	20;21
		3600	182TC	00336ET3ESS182TCFL	\$1,974	S1	TEFC	98	1.15	3.73	86.5	17.300	230/460	20;21
		1800	182TC	00318ET3ESS182TCFL	\$1,892	S1	TEFC	111	1.15	3.92	89.5	17.100	230/460	20;21
5	3.7	3600	184TC	00536ET3ESS184TCFL	\$2,282	S1	TEFC	109	1.15	6.01	88.5	17.900	230/460	20;21
		1800	184TC	00518ET3ESS184TCFL	\$2,215	S1	TEFC	118	1.15	6.54	89.5	17.900	230/460	20;21
7.5	5.5	3600	213TC	00736ET3ESS213TCFL	\$3,356	S1	TEFC	155	1.15	8.82	89.5	20.500	230/460	20;21
		1800	213TC	00718ET3ESS213TCFL	\$3,207	S1	TEFC	170	1.15	9.12	91.7	20.500	230/460	20;21
10	7.5	3600	215TC	01036ET3ESS215TCFL	\$3,604	S1	TEFC	174	1.15	11.5	90.2	22.000	230/460	20;21
		1800	215TC	01018ET3ESS215TCFL	\$3,477	S1	TEFC	205	1.15	12.2	91.7	22.000	230/460	20;21

Please refer to inside back cover for description of "NOTES"

For detailed specifications, data sheets, drawings and performance curves visit <http://www.weg.net>

### Shark™ Motor and CFW500 Washdown Drive Quick Selection Guide



#### Shark™ - Stainless Steel - TEFC & TENV - C-Face - Foot Mount

HP	RPM	Volts	Model	Motor List Price	Enclosure	460V Amps	SF Amps @230V	230V Drive	Drive List Price	SF Amps @460V	460V Drive	Drive List Price
0.33	1800	230/460	.3318EP3ESS56C	\$675	TENV	0.53	1.22	CFW500A01P6B2DB66G2	\$775	0.61	CFW500A01P0T4DB66G2	\$950
	3600	230/460	.5036EP3ESS56C	\$618	TENV	0.65	1.50	CFW500A01P6B2DB66G2	\$775	0.75	CFW500A01P0T4DB66G2	\$950
0.5	1800	230/460	.5018EP3ESS56C	\$696	TENV	0.73	1.68	CFW500A02P6B2DB66G2	\$800	0.84	CFW500A01P6T4DB66G2	\$975
	1200	230/460	.5012EP3ESS56C	\$760	TENV	0.86	1.98	CFW500A02P6B2DB66G2	\$800	0.99	CFW500A01P6T4DB66G2	\$975
0.75	3600	230/460	.7536EP3ESS56C	\$681	TENV	1.02	2.35	CFW500A02P6B2DB66G2	\$800	1.17	CFW500A01P6T4DB66G2	\$975
	1800	230/460	.7518EP3ESS56C	\$798	TENV	1.06	2.44	CFW500A02P6B2DB66G2	\$800	1.22	CFW500A01P6T4DB66G2	\$975
	1200	230/460	.7512EP3ESS56C	\$868	TENV	1.22	2.80	CFW500A04P3B2DB66G2	\$850	1.4	CFW500A01P6T4DB66G2	\$975
1	3600	230/460	00136ET3ESS56C	\$836	TEFC	1.45	3.34	CFW500A04P3B2DB66G2	\$850	1.67	CFW500A02P6T4DB66G2	\$990
	3600	230/460	00136NT3ESS56C	\$912	TENV	1.45	3.34	CFW500A04P3B2DB66G2	\$850	1.67	CFW500A02P6T4DB66G2	\$990
	1800	230/460	00118ET3ESS56C	\$994	TEFC	1.46	3.36	CFW500A04P3B2DB66G2	\$850	1.68	CFW500A02P6T4DB66G2	\$990
	1800	230/460	00118NT3ESS56C	\$834	TENV	1.46	3.36	CFW500A04P3B2DB66G2	\$850	1.68	CFW500A02P6T4DB66G2	\$990
	1800	230/460	00118ET3ESS143TC	\$1,042	TEFC	1.46	3.36	CFW500A04P3B2DB66G2	\$850	1.68	CFW500A02P6T4DB66G2	\$990
	1800	230/460	00118NT3ESS143TC	\$1,026	TENV	1.46	3.36	CFW500A04P3B2DB66G2	\$850	1.68	CFW500A02P6T4DB66G2	\$990
1.5	3600	230/460	00156ET3ESS56C	\$1,023	TEFC	1.99	4.58	CFW500A07P3B2DB66G2	\$1,015	2.29	CFW500A02P6T4DB66G2	\$990
	1800	230/460	00158ET3ESS56C	\$1,041	TEFC	2.06	4.74	CFW500A07P3B2DB66G2	\$1,015	2.37	CFW500A02P6T4DB66G2	\$990
	1800	230/460	00158ET3ESS145TC	\$1,082	TEFC	2.06	4.74	CFW500A07P3B2DB66G2	\$1,015	2.37	CFW500A02P6T4DB66G2	\$990
2	3600	230/460	00236ET3ESS56C	\$1,146	TEFC	2.55	5.87	CFW500A07P3B2DB66G2	\$1,015	2.93	CFW500A04P3T4DB66G2	\$1,175
	3600	230/460	00236ET3ESS145TC	\$1,290	TEFC	2.55	5.87	CFW500A07P3B2DB66G2	\$1,015	2.93	CFW500A04P3T4DB66G2	\$1,175
	1800	230/460	00218ET3ESS56C	\$1,164	TEFC	2.71	6.23	CFW500A07P3B2DB66G2	\$1,015	3.12	CFW500A04P3T4DB66G2	\$1,175
	1800	230/460	00218ET3ESS145TC	\$1,257	TEFC	2.78	6.39	CFW500A07P3B2DB66G2	\$1,015	3.2	CFW500A04P3T4DB66G2	\$1,175
3	3600	230/460	00336ET3ESS182TC	\$1,989	TEFC	3.73	8.58	CFW500A10P0B2DB66G2	\$1,095	4.29	CFW500A04P3T4DB66G2	\$1,175
	1800	230/460	00318ET3ESS182TC	\$1,908	TEFC	3.92	9.02	CFW500A10P0B2DB66G2	\$1,095	4.51	CFW500A06P5T4DB66G2	\$1,400
5	3600	230/460	00536ET3ESS184TC	\$2,298	TEFC	6.01	13.82	CFW500A16P0T2DB66G2	\$1,350	6.91	CFW500A10P0T4DB66G2	\$1,650
	1800	230/460	00518ET3ESS184TC	\$2,230	TEFC	6.54	15.04	CFW500A16P0T2DB66G2	\$1,350	7.52	CFW500A10P0T4DB66G2	\$1,650
7.5	3600	230/460	00736ET3ESS213TC	\$3,377	TEFC	8.82	20.29	CFW500B24P0T2DB66G2	\$1,950	10.14	CFW500B14P0T4DB66G2	\$2,050
	1800	230/460	00718ET3ESS213TC	\$3,228	TEFC	9.12	20.98	CFW500B24P0T2DB66G2	\$1,950	10.49	CFW500B14P0T4DB66G2	\$2,050
10	3600	230/460	01036ET3ESS215TC	\$3,625	TEFC	11.50	26.45	CFW500B28P0T2DB66G2	\$2,275	13.23	CFW500B14P0T4DB66G2	\$2,050
	1800	230/460	01018ET3ESS215TC	\$3,499	TEFC	12.20	28.06	CFW500B28P0T2DB66G2	\$2,275	14.03	CFW500B14P0T4DB66G2	\$2,050

Wash Down Duty

Please refer to inside back cover for description of "NOTES"

 For detailed specifications, data sheets, drawings and performance curves visit [http:// www.weg.net](http://www.weg.net)

Data subject to change without notice.

THREE -PHASE

## Shark™ Motor and CFW500 Washdown Drive Quick Selection Guide



### Shark™ - Stainless Steel - TEFC & TENV - C-Face - Footless

HP	RPM	Volts	Model	Enclosure	Motor List Price	460V Amps	SF Amps @230V	230V Drive	List Price	SF Amps @460V	460V Drive	List Price
0.33	1800	230/460	.3318EP3ESS56CFL	TENV	\$667	0.53	1.22	CFW500A01P6B2DB66G2	\$775	0.61	CFW500A01POT4DB66G2	\$950
	3600	230/460	.5036EP3ESS56CFL	TENV	\$611	0.65	1.50	CFW500A01P6B2DB66G2	\$775	0.75	CFW500A01POT4DB66G2	\$950
0.5	1800	230/460	.5018EP3ESS56CFL	TENV	\$689	0.73	1.68	CFW500A02P6B2DB66G2	\$800	0.84	CFW500A01POT4DB66G2	\$950
	1200	230/460	.5012EP3ESS56CFL	TENV	\$752	0.86	1.98	CFW500A02P6B2DB66G2	\$800	0.99	CFW500A01POT4DB66G2	\$950
0.75	3600	230/460	.7536EP3ESS56CFL	TENV	\$674	1.02	2.35	CFW500A02P6B2DB66G2	\$800	1.17	CFW500A01P6T4DB66G2	\$975
	1800	230/460	.7518EP3ESS56CFL	TENV	\$787	1.06	2.44	CFW500A02P6B2DB66G2	\$800	1.22	CFW500A01P6T4DB66G2	\$975
	1200	230/460	.7512EP3ESS56CFL	TENV	\$862	1.22	2.80	CFW500A04P3B2DB66G2	\$850	1.4	CFW500A01P6T4DB66G2	\$975
1	3600	230/460	00136ET3ESS56CFL	TEFC	\$827	1.45	3.34	CFW500A04P3B2DB66G2	\$850	1.67	CFW500A02P6T4DB66G2	\$990
	3600	230/460	00136NT3ESS56CFL	TENV	\$898	1.45	3.34	CFW500A04P3B2DB66G2	\$850	1.67	CFW500A02P6T4DB66G2	\$990
	1800	230/460	00118ET3ESS56CFL	TEFC	\$981	1.46	3.36	CFW500A04P3B2DB66G2	\$850	1.68	CFW500A02P6T4DB66G2	\$990
	1800	230/460	00118NT3ESS56CFL	TENV	\$824	1.46	3.36	CFW500A04P3B2DB66G2	\$850	1.68	CFW500A02P6T4DB66G2	\$990
	1800	230/460	00118ET3ESS143TCFL	TEFC	\$1,028	1.46	3.36	CFW500A04P3B2DB66G2	\$850	1.68	CFW500A02P6T4DB66G2	\$990
	1800	230/460	00118NT3ESS143TCFL	TENV	\$1,014	1.46	3.36	CFW500A04P3B2DB66G2	\$850	1.68	CFW500A02P6T4DB66G2	\$990
1.5	3600	230/460	00156ET3ESS56CFL	TEFC	\$1,017	1.99	4.58	CFW500A07P3B2DB66G2	\$1,015	2.29	CFW500A02P6T4DB66G2	\$990
	3600	230/460	00156NT3ESS143TCFL	TEFC	\$1,117	1.99	4.58	CFW500A07P3B2DB66G2	\$1,015	2.29	CFW500A02P6T4DB66G2	\$990
	1800	230/460	00158ET3ESS56CFL	TEFC	\$1,034	2.06	4.74	CFW500A07P3B2DB66G2	\$1,015	2.37	CFW500A02P6T4DB66G2	\$990
	1800	230/460	00158NT3ESS145TCFL	TEFC	\$1,066	2.06	4.74	CFW500A07P3B2DB66G2	\$1,015	2.37	CFW500A02P6T4DB66G2	\$990
2	3600	230/460	00236ET3ESS56CFL	TEFC	\$1,139	2.55	5.87	CFW500A07P3B2DB66G2	\$1,015	2.93	CFW500A04P3T4DB66G2	\$1,175
	3600	230/460	00236NT3ESS145TCFL	TEFC	\$1,275	2.55	5.87	CFW500A07P3B2DB66G2	\$1,015	2.93	CFW500A04P3T4DB66G2	\$1,175
	1800	230/460	00218ET3ESS56CFL	TEFC	\$1,154	2.71	6.23	CFW500A07P3B2DB66G2	\$1,015	3.12	CFW500A04P3T4DB66G2	\$1,175
	1800	230/460	00218NT3ESS145TCFL	TEFC	\$1,198	2.78	6.39	CFW500A07P3B2DB66G2	\$1,015	3.2	CFW500A04P3T4DB66G2	\$1,175
3	3600	230/460	00336ET3ESS145TCFL	TEFC	\$1,858	3.78	8.69	CFW500A10P0B2DB66G2	\$1,095	4.35	CFW500A04P3T4DB66G2	\$1,175
	3600	230/460	00336NT3ESS182TCFL	TEFC	\$1,974	3.73	8.58	CFW500A10P0B2DB66G2	\$1,095	4.29	CFW500A04P3T4DB66G2	\$1,175
	1800	230/460	00318ET3ESS182TCFL	TEFC	\$1,892	3.92	9.02	CFW500A10P0B2DB66G2	\$1,095	4.51	CFW500A06P5T4DB66G2	\$1,400
5	3600	230/460	00536ET3ESS184TCFL	TEFC	\$2,282	6.01	13.82	CFW500A16POT2DB66G2	\$1,350	6.91	CFW500A10POT4DB66G2	\$1,650
	1800	230/460	00518ET3ESS184TCFL	TEFC	\$2,215	6.54	15.04	CFW500A16POT2DB66G2	\$1,350	7.52	CFW500A10POT4DB66G2	\$1,650
7.5	3600	230/460	00736ET3ESS213TCFL	TEFC	\$3,356	8.82	20.29	CFW500B24POT2DB66G2	\$1,950	10.14	CFW500B14POT4DB66G2	\$2,050
	1800	230/460	00718ET3ESS213TCFL	TEFC	\$3,207	9.12	20.98	CFW500B24POT2DB66G2	\$1,950	10.49	CFW500B14POT4DB66G2	\$2,050
10	3600	230/460	01036ET3ESS215TCFL	TEFC	\$3,604	11.50	26.45	CFW500B28POT2DB66G2	\$2,275	13.23	CFW500B14POT4DB66G2	\$2,050
	1800	230/460	01018ET3ESS215TCFL	TEFC	\$3,477	12.20	28.06	CFW500B28POT2DB66G2	\$2,275	14.03	CFW500B14POT4DB66G2	\$2,050

Please refer to inside back cover for description of "NOTES"

For detailed specifications, data sheets, drawings and performance curves visit <http://www.weg.net>

### HydroWash™

The Washdown line was designed to meet the requirements of industries where there is a constant need for hygiene and cleanliness of the environment through high pressure water jets and/or chemical products. Washdown motors are applied in food, beverage and pharmaceutical industries.



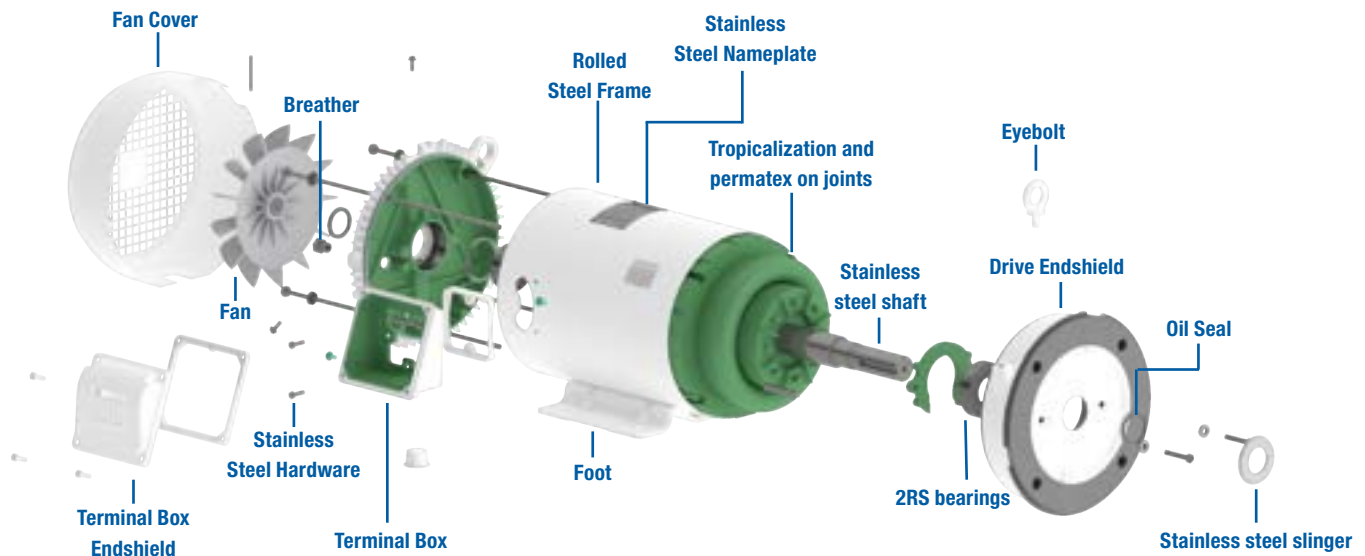
#### Standard Features

- Output: 1/2 up to 25 HP
- Frames: 56 up to 254/6T
- Number of poles: 2 up to 6
- Certification CSA/UL
- Efficiency: NEMA Standard and NEMA Premium
- Voltage:
  - Frames 56 and 145T - 208-230/460 V with 9 leads
  - Frames 182/4T and 213/5T - 208-230/460//190-220/380-415 V with 9 leads
  - Frames 254/6T - 208-230/460//190-220/380-415 V with 12 leads
- Service factor: 1.15
- Mounting: F-1
- Insulation class "F" ( $\Delta T$  80 K)
- Degree of protection: IP56
- Shaft material: Stainless Steel (AISI 304)
- Bearing type: Shielded (2RS)
- Permatex on joints for frames 182/4T and above
- Viton O'Ring on joints for frames 56 and 145T
- Color: Porcelain White - Munsell N 9.5
- Coating NOBAC® for frames 180 and above
- Internal painting: Tropicalized (Epoxy for frames 180 and above)
- Breather on non drive endshield
- Vibration: Grade A
- Drive end bearing seal:
  - Frames 56 and 145T - Oil seal stainless steel spring + slinger (stainless steel)
  - Frames from 182/4T and above - Oil seal stainless steel spring + slinger (stainless steel)
- Non drive end bearing seal:
  - Frames 56 and 145T - Oil seal stainless steel spring
  - Frames from 182/4T and above - Oil seal stainless steel
- Type of grease: Mobil Polyrex EM
- Fan material: plastic
- Aluminium flanges
- Terminal box material: Aluminium
- External screws and key: Stainless Steel

#### Options:

- Other mountings
- Voltage: 575 V with 6 leads
- Space heaters
- Thermal protection
- Cable glands
- Threaded center hole (shaft)
- Vibration: Grade B
- SGR shaft grounding ring (Inverter use)
- Shaft material: Stainless Steel (AISI 316)

Wash Down Duty



Please refer to inside back cover for description of "NOTES"

For detailed specifications, data sheets, drawings and performance curves visit [http:// www.weg.net](http://www.weg.net)

Data subject to change without notice.

# General Purpose Wash Down Duty



THREE -PHASE



Find the Optimal Match for your HydroWash™ Motor on page 149



## C-Face - Foot Mount

Wash Down Duty

HP	RPM	Frame	Catalog Number	List Price	Mult. Symbol	Enclosure	HZ	SF	FL Amps @ high	C Dim	kVA Code	Appr. Ship. Wt (lbs)
0.5	1725	56C	<a href="#">.5018NT3EHW56C</a>	<b>\$644</b>	S2	TENV	60	1.15	0.80	10.230	L	27
0.75	1725	56C	<a href="#">.7518NT3EHW56C</a>	<b>\$720</b>	S2	TENV	60	1.15	1.20	10.990	M	33
1	1725	56C	<a href="#">00118NT3EHW56C</a>	<b>\$843</b>	S2	TENV	60	1.15	1.50	11.980	K	40
	1725	145TC	<a href="#">00118NT3EHW143TC</a>	<b>\$859</b>	S2	TENV	60	1.15	1.50	12.040	K	40
1.5	1725	56C	<a href="#">00158ET3EHW56C</a>	<b>\$860</b>	S2	TEFC	60	1.15	2.20	14.460	K	42
	1725	145TC	<a href="#">00158ET3EHW145TC</a>	<b>\$880</b>	S2	TEFC	60	1.15	2.20	14.570	K	42
2	1725	56C	<a href="#">00218ET3EHW56C</a>	<b>\$1,035</b>	S2	TEFC	60	1.15	2.80	14.550	K	49
	1725	145TC	<a href="#">00218ET3EHW145TC</a>	<b>\$1,060</b>	S2	TEFC	60	1.15	2.80	14.550	K	49
	1200	182/4TC	<a href="#">00212ET3EHW184TC-S</a>	<b>\$1,410</b>	S2	TEFC	60	1.15	3.0	17.126	K	91
3	3600	182/4TC	<a href="#">00336ET3EHW182TC-S</a>	<b>\$1,409</b>	S2	TEFC	60	1.15	3.7	15.511	K	77
	1800	182/4TC	<a href="#">00318ET3EHW182TC-S</a>	<b>\$1,421</b>	S2	TEFC	60	1.15	3.8	17.913	K	94
	1200	213/5TC	<a href="#">00312ET3EHW213TC-S</a>	<b>\$1,850</b>	S2	TEFC	60	1.15	4.2	19.291	H	144
5	3600	182/4TC	<a href="#">00536ET3EHW184TC-S</a>	<b>\$1,700</b>	S2	TEFC	60	1.15	5.9	16.693	J	92
	1800	182/4TC	<a href="#">00518ET3EHW184TC-S</a>	<b>\$1,728</b>	S2	TEFC	60	1.15	6.5	17.913	J	88
	1200	213/5TC	<a href="#">00512ET3EHW215TC-S</a>	<b>\$2,185</b>	S2	TEFC	60	1.15	6.7	20.079	H	156
7.5	3600	182/4TC	<a href="#">00736ET3EHW184TC-S</a>	<b>\$2,082</b>	S2	TEFC	60	1.15	8.6	17.126	H	96
	3600	213/5TC	<a href="#">00736ET3EHW213TC-S</a>	<b>\$2,214</b>	S2	TEFC	60	1.15	8.7	18.897	H	145
	1800	213/5TC	<a href="#">00718ET3EHW213TC-S</a>	<b>\$2,230</b>	S2	TEFC	60	1.15	9.1	18.898	H	136
	1200	254/6TC	<a href="#">00712ET3EHW254TC-S</a>	<b>\$3,795</b>	S2	TEFC	60	1.15	10.0	22.559	G	239
10	3600	213/5TC	<a href="#">01036ET3EHW215TC-S</a>	<b>\$2,650</b>	S2	TEFC	60	1.15	11.5	20.079	H	175
	1800	213/5TC	<a href="#">01018ET3EHW215TC-S</a>	<b>\$2,568</b>	S2	TEFC	60	1.15	12.2	19.291	H	147
	1200	254/6TC	<a href="#">01012ET3EHW256TC-S</a>	<b>\$4,345</b>	S2	TEFC	60	1.15	13.8	23.346	G	269
15	3600	213/5TC	<a href="#">01536ET3EHW215TC-S</a>	<b>\$3,250</b>	S2	TEFC	60	1.15	17.0	21.654	J	171
	3600	254/6TC	<a href="#">01536ET3EHW254TC-S</a>	<b>\$4,859</b>	S2	TEFC	60	1.15	17.4	22.559	G	210
	1800	254/6TC	<a href="#">01518ET3EHW254TC-S</a>	<b>\$4,826</b>	S2	TEFC	60	1.15	18.2	22.559	G	242
20	3600	254/6TC	<a href="#">02036ET3EHW256TC-S</a>	<b>\$5,772</b>	S2	TEFC	60	1.15	22.7	23.346	G	248
	1800	254/6TC	<a href="#">02018ET3EHW256TC-S</a>	<b>\$5,830</b>	S2	TEFC	60	1.15	24.7	23.346	H	271
25	3600	254/6TC	<a href="#">02536ET3EHW256TC-S</a>	<b>\$6,887</b>	S2	TEFC	60	1.15	28.5	23.346	J	258

Please refer to inside back cover for description of "NOTES"

For detailed specifications, data sheets, drawings and performance curves visit [http:// www.weg.net](http://www.weg.net)





Find the Optimal Match for your HydroWash™ Motor on page 150

### C-Face - Foot Mount and Footless

HP	RPM	Frame	Catalog Number	List Price	Mult. Symbol	Enclosure	HZ	SF	FL Amps @ high	C Dim	kVA Code	Appr. Ship. Wt (lbs)
0.5	1725	56C	<a href="#">.5018NT3EHWS56CFL</a>	<b>\$625</b>	S2	TENV	60	1.15	0.80	10.230	L	27
0.75	1725	56C	<a href="#">.7518NT3EHWS56CFL</a>	<b>\$699</b>	S2	TENV	60	1.15	1.11	10.990	L	33
1	1725	56C	<a href="#">00118NT3EHW56CFL</a>	<b>\$815</b>	S2	TENV	60	1.15	1.50	11.980	K	40
	1725	145TC	<a href="#">00118NT3EHW143TC</a>	<b>\$830</b>	S2	TENV	60	1.15	1.50	12.040	K	40
1.5	1725	56C	<a href="#">00158ET3EHW56CFL</a>	<b>\$830</b>	S2	TEFC	60	1.15	2.20	14.460	K	42
	1725	145TC	<a href="#">00158ET3EHW145TC</a>	<b>\$850</b>	S2	TEFC	60	1.15	2.20	14.530	K	42
2	1725	56C	<a href="#">00218ET3EHW56CFL</a>	<b>\$995</b>	S2	TEFC	60	1.15	2.80	14.550	K	49
	1725	145TC	<a href="#">00218ET3EHW145TC</a>	<b>\$1,020</b>	S2	TEFC	60	1.15	2.80	14.550	K	49
3	1800	182/4TC	<a href="#">00318ET3EHW182TC-S</a>	<b>\$1,259</b>	S2	TEFC	60	1.15	3.81	17.913	K	94
5	3600	182/4TC	<a href="#">00536ET3EHW182TC-S</a>	<b>\$1,600</b>	S2	TEFC	60	1.15	5.90	16.693	J	92
	1800	182/4TC	<a href="#">00518ET3EHW184TC-S</a>	<b>\$1,592</b>	S2	TEFC	60	1.15	6.49	17.913	J	87
7.5	3600	213/5TC	<a href="#">00736ET3EHW213TC-S</a>	<b>\$2,010</b>	S2	TEFC	60	1.15	8.67	18.898	H	151
	1800	213/5TC	<a href="#">00718ET3EHW213TC-S</a>	<b>\$2,011</b>	S2	TEFC	60	1.15	9.07	18.898	H	137
10	3600	213/5TC	<a href="#">01036ET3EHW215TC-S</a>	<b>\$2,442</b>	S2	TEFC	60	1.15	11.50	20.079	H	180
	1800	213/5TC	<a href="#">01018ET3EHW215TC-S</a>	<b>\$2,394</b>	S2	TEFC	60	1.15	12.20	19.291	H	147
15	3600	213/5TC	<a href="#">01536ET3EHW215TC-S</a>	<b>\$3,052</b>	S2	TEFC	60	1.15	17.00	21.654	J	176

Wash Down Duty



### Rigid Base

HP	RPM	Frame	Catalog Number	List Price	Mult. Symbol	Enclosure	HZ	SF	FL Amps @ high	C Dim	kVA Code	Appr. Ship. Wt (lbs)
3	3600	182/4T	<a href="#">00336ET3EHW182T-S</a>	<b>\$1,340</b>	S2	TEFC	60	1.15	3.7	15.511	K	67
	1800	182/4T	<a href="#">00318ET3EHW182T-S</a>	<b>\$1,315</b>	S2	TEFC	60	1.15	3.8	17.913	K	89
5	3600	182/4T	<a href="#">00536ET3EHW184T-S</a>	<b>\$1,628</b>	S2	TEFC	60	1.15	5.9	16.693	J	87
	1800	182/4T	<a href="#">00518ET3EHW184T-S</a>	<b>\$1,640</b>	S2	TEFC	60	1.15	6.5	17.913	J	82
7.5	3600	182/4T	<a href="#">00736ET3EHW184T-S</a>	<b>\$1,978</b>	S2	TEFC	60	1.15	8.6	17.126	H	91
	3600	213/5T	<a href="#">00736ET3EHW213T-S</a>	<b>\$2,040</b>	S2	TEFC	60	1.15	8.7	20.079	H	145
	1800	213/5T	<a href="#">00718ET3EHW213T-S</a>	<b>\$2,046</b>	S2	TEFC	60	1.15	9.1	18.898	H	133
10	1800	213/5T	<a href="#">01018ET3EHW215T-S</a>	<b>\$2,350</b>	S2	TEFC	60	1.15	12.2	19.291	H	140
15	1800	254/6T	<a href="#">01518ET3EHW254T-S</a>	<b>\$4,602</b>	S2	TEFC	60	1.15	18.2	22.559	G	236
20	1800	254/6T	<a href="#">02018ET3EHW256T-S</a>	<b>\$5,571</b>	S2	TEFC	60	1.15	24.7	23.346	H	266

Please refer to inside back cover for description of "NOTES"

For detailed specifications, data sheets, drawings and performance curves visit [http:// www.weg.net](http://www.weg.net)

Data subject to change without notice.

THREE -PHASE

## HydroWash™ Motor and CFW500 Washdown Drive Quick Selection Guide

Optimal Match



### HydroWash™ - White Epoxy - TEFC - C-Face - Foot Mount

HP	RPM	Volts	Catalog Number	Motor List Price	FL Amps @ high	230V Drive	Drive List Price	460V Drive	Drive List Price
0.5	1800	230/460	.5018NT3EHW56C*	\$644	0.80	CFW500A01P6B2DB66G2	\$775	CFW500A01P0T4DB66G2	\$950
0.75	1800	230/460	.7518NT3EHW56C*	\$720	1.20	CFW500A02P6B2DB66G2	\$800	CFW500A01P6T4DB66G2	\$975
1	1800	230/460	00118NT3EHW56C*	\$843	1.50	CFW500A04P3B2DB66G2	\$850	CFW500A01P6T4DB66G2	\$975
		230/460	00118NT3EHW143TC*	\$859	1.50	CFW500A04P3B2DB66G2	\$850	CFW500A01P6T4DB66G2	\$975
1.5	1800	230/460	00158ET3EHW56C	\$860	2.20	CFW500A07P3B2DB66G2	\$1,015	CFW500A02P6T4DB66G2	\$990
		230/460	00158ET3EHW145TC	\$880	2.20	CFW500A07P3B2DB66G2	\$1,015	CFW500A02P6T4DB66G2	\$990
2	1800	230/460	00218ET3EHW56C	\$1,035	2.80	CFW500A07P3B2DB66G2	\$1,015	CFW500A04P3T4DB66G2	\$1,175
		230/460	00218ET3EHW145TC	\$1,060	2.80	CFW500A07P3B2DB66G2	\$1,015	CFW500A04P3T4DB66G2	\$1,175
2	1200	230/460	00212ET3EHW184TC-S	\$1,410	3.0	CFW500A07P3B2DB66G2	\$1,015	CFW500A04P3T4DB66G2	\$1,175
3	3600	230/460	00336ET3EHW182TC-S	\$1,409	3.7	CFW500A10P0B2DB66G2	\$1,095	CFW500A04P3T4DB66G2	\$1,175
3	1800	230/460	00318ET3EHW182TC-S	\$1,380	3.8	CFW500A10P0B2DB66G2	\$1,095	CFW500A04P3T4DB66G2	\$1,175
3	1200	230/460	00312ET3EHW213TC-S	\$1,850	4.2	CFW500A10P0B2DB66G2	\$1,095	CFW500A04P3T4DB66G2	\$1,175
5	3600	230/460	00536ET3EHW184TC-S	\$1,700	5.9	CFW500A16P0T2DB66G2	\$1,350	CFW500A06P5T4DB66G2	\$1,400
5	1800	230/460	00518ET3EHW184TC-S	\$1,728	6.5	CFW500A16P0T2DB66G2	\$1,350	CFW500A06P5T4DB66G2	\$1,400
5	1200	230/460	00512ET3EHW215TC-S	\$2,185	6.7	CFW500A16P0T2DB66G2	\$1,350	CFW500A10P0T4DB66G2	\$1,650
7.5	3600	230/460	00736ET3EHW184TC-S	\$2,082	8.6	CFW500B24P0T2DB66G2	\$1,950	CFW500A10P0T4DB66G2	\$1,650
7.5	3600	230/460	00736ET3EHW213TC-S	\$2,214	8.7	CFW500B24P0T2DB66G2	\$1,950	CFW500A10P0T4DB66G2	\$1,650
7.5	1800	230/460	00718ET3EHW213TC-S	\$2,230	9.1	CFW500B24P0T2DB66G2	\$1,950	CFW500A10P0T4DB66G2	\$1,650
7.5	1200	230/460	00712ET3EHW254TC-S	\$3,795	10.0	CFW500B24P0T2DB66G2	\$1,950	CFW500A10P0T4DB66G2	\$1,650
10	3600	230/460	01036ET3EHW215TC-S	\$2,650	11.5	CFW500B24P0T2DB66G2	\$1,950	CFW500B14P0T4DB66G2	\$2,050
10	1800	230/460	01018ET3EHW215TC-S	\$2,568	12.2	CFW500B28P0T2DB66G2	\$2,275	CFW500B14P0T4DB66G2	\$2,050
10	1200	230/460	01012ET3EHW256TC-S	\$4,345	13.8	CFW500B28P0T2DB66G2	\$2,275	CFW500B14P0T4DB66G2	\$2,050
15	3600	230/460	01536ET3EHW215TC-S	\$3,250	17.0			CFW500B24P0T4DB66G2	\$3,025
15	3600	230/460	01536ET3EHW254TC-S	\$4,859	17.4			CFW500B24P0T4DB66G2	\$3,025
15	1800	230/460	01518ET3EHW254TC-S	\$4,826	18.2			CFW500B24P0T4DB66G2	\$3,025
20	3600	230/460	02036ET3EHW256TC-S	\$5,772	22.7			CFW500B24P0T4DB66G2	\$3,025
20	1800	230/460	02018ET3EHW256TC-S	\$5,830	24.7			CFW500B31P0T4DB66G2	\$3,650
25	3600	230/460	02536ET3EHW256TC-S	\$6,887	28.5			CFW500B31P0T4DB66G2	\$3,650

\* TENV

continued on next page

Please refer to inside back cover for description of "NOTES"

For detailed specifications, data sheets, drawings and performance curves visit <http://www.weg.net>



# General Purpose Wash Down Duty

THREE -PHASE



Optimal Match

## HydroWash™ - White Epoxy - TEFC - C-Face - Foot Mount and Footless

HP	RPM	Volts	Catalog Number	Motor List Price	460V Amps	230V Drive	Drive List Price	460V Drive	Drive List Price
0.5	1800	230/460	.5018NT3EHW56CFL*	\$510	0.80	CFW500A01P6B2DB66G2	\$775	CFW500A01P0T4DB66G2	\$950
0.75	1800	230/460	.7518NT3EHW56CFL*	\$553	1.20	CFW500A02P6B2DB66G2	\$800	CFW500A01P6T4DB66G2	\$975
1	1800	230/460	00118NT3EHW56CFL*	\$599	1.50	CFW500A04P3B2DB66G2	\$850	CFW500A01P6T4DB66G2	\$975
		230/460	00118NT3EHW143TC*	\$628	1.50	CFW500A04P3B2DB66G2	\$850	CFW500A01P6T4DB66G2	\$975
1.5	1800	230/460	00158ET3EHW56CFL	\$830	2.20	CFW500A07P3B2DB66G2	\$1,015	CFW500A02P6T4DB66G2	\$990
		230/460	00158ET3EHW145TC	\$850	2.20	CFW500A07P3B2DB66G2	\$1,015	CFW500A02P6T4DB66G2	\$990
2	1800	230/460	00218ET3EHW56CFL	\$995	2.80	CFW500A07P3B2DB66G2	\$1,015	CFW500A04P3T4DB66G2	\$1,175
		230/460	00218ET3EHW145TCZ	\$1,020	2.80	CFW500A07P3B2DB66G2	\$1,015	CFW500A04P3T4DB66G2	\$1,175
3	1800	230/460	00318ET3EHW182TC-S	\$1,259	3.81	CFW500A10P0B2DB66G2	\$1,095	CFW500A04P3T4DB66G2	\$1,175
5	3600	230/460	00536ET3EHW182TC-S	\$1,600	5.90	CFW500A16P0T2DB66G2	\$1,350	CFW500A06P5T4DB66G2	\$1,400
5	1800	230/460	00518ET3EHW184TC-S	\$1,592	6.49	CFW500A16P0T2DB66G2	\$1,350	CFW500A06P5T4DB66G2	\$1,400
7.5	3600	230/460	00736ET3EHW213TC-S	\$2,010	8.67	CFW500B24P0T2DB66G2	\$1,950	CFW500A10P0T4DB66G2	\$1,650
7.5	1800	230/460	00718ET3EHW213TC-S	\$2,011	9.07	CFW500B24P0T2DB66G2	\$1,950	CFW500A10P0T4DB66G2	\$1,650
10	3600	230/460	01036ET3EHW215TC-S	\$2,442	11.50	CFW500B24P0T2DB66G2	\$1,950	CFW500B14P0T4DB66G2	\$2,050
10	1800	230/460	01018ET3EHW215TC-S	\$2,394	12.20	CFW500B28P0T2DB66G2	\$2,275	CFW500B14P0T4DB66G2	\$2,050
15	3600	230/460	01536ET3EHW215TC-S	\$3,052	17.00			CFW500B24P0T4DB66G2	\$3,025

Wash Down Duty

\*TENV



## HydroWash™ - White Epoxy - TEFC - Rigid Base

HP	RPM	Volts	Catalog Number	Motor List Price	460V Amps	230V Drive	Drive List Price	460V Drive	Drive List Price
3	3600	230/460	00336ET3EHW182T-S	\$1,340	3.7	CFW500A10P0B2DB66G2	\$1,095	CFW500A04P3T4DB66G2	\$1,175
3	1800	230/460	00318ET3EHW182T-S	\$1,315	3.8	CFW500A10P0B2DB66G2	\$1,095	CFW500A04P3T4DB66G2	\$1,175
5	3600	230/460	00536ET3EHW184T-S	\$1,628	5.9	CFW500A16P0T2DB66G2	\$1,350	CFW500A06P5T4DB66G2	\$1,400
5	1800	230/460	00518ET3EHW184T-S	\$1,640	6.5	CFW500A16P0T2DB66G2	\$1,350	CFW500A06P5T4DB66G2	\$1,400
7.5	3600	230/460	00736ET3EHW184T-S	\$1,978	8.6	CFW500B24P0T2DB66G2	\$1,950	CFW500A10P0T4DB66G2	\$1,650
7.5	3600	230/460	00736ET3EHW213T-S	\$2,040	8.7	CFW500B24P0T2DB66G2	\$1,950	CFW500A10P0T4DB66G2	\$1,650
7.5	1800	230/460	00718ET3EHW213T-S	\$2,046	9.1	CFW500B24P0T2DB66G2	\$1,950	CFW500A10P0T4DB66G2	\$1,650
10	1800	230/460	01018ET3EHW215T-S	\$2,350	12.2	CFW500B28P0T2DB66G2	\$2,275	CFW500B14P0T4DB66G2	\$2,050
15	1800	230/460	01518ET3EHW254T-S	\$4,602	18.2			CFW500B24P0T4DB66G2	\$3,025
20	1800	230/460	02018ET3EHW256T-S	\$5,571	24.7			CFW500B31P0T4DB66G2	\$3,650

Please refer to inside back cover for description of "NOTES"

For detailed specifications, data sheets, drawings and performance curves visit [http:// www.weg.net](http://www.weg.net)

Data subject to change without notice.

Can't find what you are looking for? Call 1-800-ASK-4WEG (275-4934) **A-151**

## CFW500-N4X/IP66 WASHDOWN DRIVE

The WEG CFW500 Wash series is a redesign of our most successful CFW500 series product line. Engineer improvements have produced one of the most compact and full featured washdown drive in the market.

The new version with IP66/NEMA 4X protection rating increases the product robustness, ensuring protection against the ingress of dust and water jets from any direction, which allows its use and installation both indoors and outdoors. The new IP66 models of the CFW500 line have the following characteristics.

For Indoor / Outdoor Use



### Standard Features

- Same programming as other WEG VFDs including CFW500-IP20.
- Built-in SoftPLC.
- Scalar, Vector Control (Senseless and closed loop with encoder feedback) & VVW PM (suitable for fan, Pump and compressor).
- NEMA 4X(IP66) Enclosure.
- Available with and without disconnect switch.
- Suitable for indoor and Outdoor use.
- 200-240V, 380-480V or 500-600 input voltage.
- Heavy Duty rated - 150% current overload capacity.
- 0 to 500 Hz output frequency.
- 2.5 to 15 kHz adjustable switching frequency (5 kHz standard)
- Built-in 24Vdc Power supply (max. 150 mA).
- Built-in RS-485 (Modbus RTU) communication.
- Four isolated programmable digital inputs.
- One programmable relay output (1NO, 1NC, 240vac 0.5A).
- One programmable transistor output.
- One isolated programmable analog input (0-10V, 0/4-20mA).
- One isolated programmable analog output (0-10V, 0/4-20mA).
- Protective features: Over current (Phase-Phase short circuit in the output or phase-ground short circuit in the output), Under/overvoltage, overtemperature in heatsink, motor overload, IGBT overload and external fault.
- Control features: Linear and "S" ramp acceleration and deceleration, local/remote control, DC braking, torque boost, motor slip compensation, electronic pot, preset speeds, adjustable V/Hz profile, maximum and minimum adjustable frequency limits, two skip frequencies, adjustable output current limit, JOG, ride-thru, flying start and PID regulator.
- Same keypad with backlight as of CFW500 product line with Main display line, secondary display line and bar graph display.
- Ambient: 14°F (-10°C) to 104°F (40°C), 3300ft (1000m) altitude, 5-95% humidity, non-condensing.
- WLP and WPS (only 230VAC and 460VAC Models) compatible.

### Applications NEMA 4X

- Pumps
- Fans
- Blowers
- Conveyors
- Rollout tables
- Agitators
- Mixers
- Any washdown applications

Please refer to back cover for description of "NOTES"

For detailed specifications, data sheets, drawings and performance curves visit <http://www.weg.net>

# CFW500 - N4X/IP66 VFD W/O DISCONNECT SWITCH

Motor Voltage	HD - Motor HP <sup>1</sup>	HD - Drive Amps <sup>2</sup>	Catalog Number	Braking Transistor	Frame Size <sup>4</sup>	Dimensions (in.) HxWxD	Approx. Weight (lbs.)	List Price	Multiplier New (Old)	
230 Vac / 3 Phase	Input Power Supply: Single or Three-Phase 200-240 Vac									
	1/3	1.6	<a href="#">CFW500A01P6B2DB66G2</a>	Yes	A	10.4 x 6.5 x 8.9	22.0	\$775	V1G (V1)	
	3/4	2.6	<a href="#">CFW500A02P6B2DB66G2</a>	Yes	A	10.4 x 6.5 x 8.9	22.0	\$800	V1G (V1)	
	1 1/2	4.3	<a href="#">CFW500A04P3B2DB66G2</a>	Yes	A	10.4 x 6.5 x 8.9	22.0	\$850	V1G (V1)	
	2	7.3	<a href="#">CFW500A07P3B2DB66G2</a>	Yes	A	10.4 x 6.5 x 8.9	22.0	\$1,015	V1G (V1)	
	3	10.0	<a href="#">CFW500A10P0B2DB66G2</a>	Yes	A	10.4 x 6.5 x 8.9	22.0	\$1,095	V1G (V1)	
	Input Power Supply: Three-Phase 200-240 Vac									
	5	16	<a href="#">CFW500A16P0T2DB66G2</a>	Yes	A	10.4 x 6.5 x 8.9	22.0	\$1,350	V1G (V1)	
	7 1/2	24	<a href="#">CFW500B24P0T2DB66G2</a>	Yes	B	13.4 x 8.5 x 8.9	26.5	\$1,950	V1G (V1)	
	10	28	<a href="#">CFW500B28P0T2DB66G2</a>	Yes	B	13.4 x 8.5 x 8.9	26.5	\$2,275	V1G (V1)	
	10	33	<a href="#">CFW500B33P0T2DB66G2</a>	Yes	B	13.4 x 8.5 x 8.9	26.5	\$2,675	V1G (V1)	
	460 Vac / 3 Phase	Input Power Supply: Three-Phase 380-480 Vac								
		1/2	1.0	<a href="#">CFW500A01P0T4DB66G2</a>	Yes	A	10.4 x 6.5 x 8.9	22.0	\$950	V1G (V1)
		1	1.6	<a href="#">CFW500A01P6T4DB66G2</a>	Yes	A	10.4 x 6.5 x 8.9	22.0	\$975	V1G (V1)
2		2.6	<a href="#">CFW500A02P6T4DB66G2</a>	Yes	A	10.4 x 6.5 x 8.9	22.0	\$990	V1G (V1)	
3		4.3	<a href="#">CFW500A04P3T4DB66G2</a>	Yes	A	10.4 x 6.5 x 8.9	22.0	\$1,175	V1G (V1)	
5		6.5	<a href="#">CFW500A06P5T4DB66G2</a>	Yes	A	10.4 x 6.5 x 8.9	22.0	\$1,400	V1G (V1)	
7 1/2		10	<a href="#">CFW500A10P0T4DB66G2</a>	Yes	A	10.4 x 6.5 x 8.9	22.0	\$1,650	V1G (V1)	
10		14	<a href="#">CFW500B14P0T4DB66G2</a>	Yes	B	13.4 x 8.5 x 8.9	26.5	\$2,050	V1G (V1)	
10		16	<a href="#">CFW500B16P0T4DB66G2</a>	Yes	B	13.4 x 8.5 x 8.9	26.5	\$2,275	V1G (V1)	
15		24	<a href="#">CFW500B24P0T4DB66G2</a>	Yes	B	13.4 x 8.5 x 8.9	26.5	\$3,025	V1G (V1)	
25		31	<a href="#">CFW500B31P0T4DB66G2</a>	Yes	B	13.4 x 8.5 x 8.9	26.5	\$3,650	V1G (V1)	
575 Vac / 3 Phase <sup>3</sup>		Input Power Supply: Three-Phase 500-600 Vac								
	1 1/2	1.7	<a href="#">CFW500B01P7T5DB66</a>	Yes	B	13.4 x 8.5 x 8.9	26.5	\$1,590	V1G (V1)	
	3	3.0	<a href="#">CFW500B03P0T5DB66</a>	Yes	B	13.4 x 8.5 x 8.9	26.5	\$1,670	V1G (V1)	
	3	4.3	<a href="#">CFW500B04P3T5DB66</a>	Yes	B	13.4 x 8.5 x 8.9	26.5	\$1,890	V1G (V1)	
	7 1/2	7.0	<a href="#">CFW500B07P0T5DB66</a>	Yes	B	13.4 x 8.5 x 8.9	26.5	\$2,115	V1G (V1)	
	10	10.0	<a href="#">CFW500B10P0T5DB66</a>	Yes	B	13.4 x 8.5 x 8.9	26.5	\$2,330	V1G (V1)	
	10	12.0	<a href="#">CFW500B12P0T5DB66</a>	Yes	B	13.4 x 8.5 x 8.9	26.5	\$2,615	V1G (V1)	

Wash Down Duty

**Notes:**

- 1) HP rating based on WEG W22 motors average FLA values. Use as a guide only.
- 2) Motor FLA may vary with speed and manufacturer. ALWAYS compare motor FLA to Nominal AMPS of drive.
- 3) All 575V drives are non-stocked items and are still Generation-1 drives, consult WEG for availability.
- 4) Frame Size A & B are rated for 40°C ambient temperature.

Please refer to back cover for description of "NOTES"

 For detailed specifications, data sheets, drawings and performance curves visit [http:// www.weg.net](http://www.weg.net)

Data subject to change without notice.

 Can't find what you are looking for? Call **1-800-ASK-4WEG (275-4934)** **A-153**

## CFW500 - N4X/IP66 VFD With DISCONNECT SWITCH

Motor Voltage	HD - Motor HP <sup>1</sup>	HD - Drive Amps <sup>2</sup>	Catalog Number	Braking Transistor	Frame Size <sup>4</sup>	Dimensions (in.) HxWxD	Approx. Weight (lbs.)	List Price	Multiplier New (Old)		
230 Vac / 3 Phase	Input Power Supply: Single or Three-Phase 200-240 Vac										
	1/3	1.6	<a href="#">CFW500A01P6B2DB66DSG2</a>	Yes	A	10.4 x 6.5 x 9.9	22.0	\$895	V1G (V1)		
	3/4	2.6	<a href="#">CFW500A02P6B2DB66DSG2</a>	Yes	A	10.4 x 6.5 x 9.9	22.0	\$920	V1G (V1)		
	1 1/2	4.3	<a href="#">CFW500A04P3B2DB66DSG2</a>	Yes	A	10.4 x 6.5 x 9.9	22.0	\$980	V1G (V1)		
	2	7.3	<a href="#">CFW500A07P3B2DB66DSG2</a>	Yes	A	10.4 x 6.5 x 9.9	22.0	\$1,170	V1G (V1)		
	3	10.0	<a href="#">CFW500A10P0B2DB66DSG2</a>	Yes	A	10.4 x 6.5 x 9.9	22.0	\$1,255	V1G (V1)		
	Input Power Supply: Three-Phase 200-240 Vac										
	5	16	<a href="#">CFW500A16P0T2DB66DSG2</a>	Yes	A	10.4 x 6.5 x 9.9	22.0	\$1,555	V1G (V1)		
	7 1/2	24	<a href="#">CFW500B24P0T2DB66DSG2</a>	Yes	B	13.4 x 8.5 x 9.9	26.5	\$2,245	V1G (V1)		
	10	28	<a href="#">CFW500B28P0T2DB66DSG2</a>	Yes	B	13.4 x 8.5 x 9.9	26.5	\$2,620	V1G (V1)		
	10	33	<a href="#">CFW500B33P0T2DB66DSG2</a>	Yes	B	13.4 x 8.5 x 9.9	26.5	\$3,080	V1G (V1)		
	460 Vac / 3 Phase	Input Power Supply: Three-Phase 380-480 Vac									
		1/2	1.0	<a href="#">CFW500A01P0T4DB66DSG2</a>	Yes	A	10.4 x 6.5 x 9.9	22.0	\$1,095	V1G (V1)	
		1	1.6	<a href="#">CFW500A01P6T4DB66DSG2</a>	Yes	A	10.4 x 6.5 x 9.9	22.0	\$1,125	V1G (V1)	
2		2.6	<a href="#">CFW500A02P6T4DB66DSG2</a>	Yes	A	10.4 x 6.5 x 9.9	22.0	\$1,140	V1G (V1)		
3		4.3	<a href="#">CFW500A04P3T4DB66DSG2</a>	Yes	A	10.4 x 6.5 x 9.9	22.0	\$1,350	V1G (V1)		
5		6.5	<a href="#">CFW500A06P5T4DB66DSG2</a>	Yes	A	10.4 x 6.5 x 9.9	22.0	\$1,610	V1G (V1)		
7 1/2		10	<a href="#">CFW500A10P0T4DB66DSG2</a>	Yes	A	10.4 x 6.5 x 9.9	22.0	\$1,900	V1G (V1)		
10		14	<a href="#">CFW500B14P0T4DB66DSG2</a>	Yes	B	13.4 x 8.5 x 9.9	26.5	\$2,360	V1G (V1)		
10		16	<a href="#">CFW500B16P0T4DB66DSG2</a>	Yes	B	13.4 x 8.5 x 9.9	26.5	\$2,620	V1G (V1)		
15		24	<a href="#">CFW500B24P0T4DB66DSG2</a>	Yes	B	13.4 x 8.5 x 9.9	26.5	\$3,480	V1G (V1)		
25		31	<a href="#">CFW500B31P0T4DB66DSG2</a>	Yes	B	13.4 x 8.5 x 9.9	26.5	\$4,200	V1G (V1)		
575 Vac / 3 Phase 3	Input Power Supply: Three-Phase 500-600 Vac										
	1 1/2	1.7	<a href="#">CFW500B01P7T5DB66DS</a>	Yes	B	13.4 x 8.5 x 9.9	26.5	\$1,830	V1G (V1)		
	3	3.0	<a href="#">CFW500B03P0T5DB66DS</a>	Yes	B	13.4 x 8.5 x 9.9	26.5	\$1,925	V1G (V1)		
	3	4.3	<a href="#">CFW500B04P3T5DB66DS</a>	Yes	B	13.4 x 8.5 x 9.9	26.5	\$2,175	V1G (V1)		
	7 1/2	7.0	<a href="#">CFW500B07P0T5DB66DS</a>	Yes	B	13.4 x 8.5 x 9.9	26.5	\$2,435	V1G (V1)		
	10	10.0	<a href="#">CFW500B10P0T5DB66DS</a>	Yes	B	13.4 x 8.5 x 9.9	26.5	\$2,680	V1G (V1)		
	10	12.0	<a href="#">CFW500B12P0T5DB66DS</a>	Yes	B	13.4 x 8.5 x 9.9	26.5	\$3,005	V1G (V1)		

## Notes:

- 1) HP rating based on WEG W22 motors average FLA values. Use as a guide only.
- 2) Motor FLA may vary with speed and manufacturer. ALWAYS compare motor FLA to Nominal AMPS of drive.
- 3) All 575V drives are non-stocked items and are still Generation-1 drives, consult WEG for availability.
- 4) Frame Size A & B are rated for 40°C ambient temperature.

Please refer to back cover for description of "NOTES"

For detailed specifications, data sheets, drawings and performance curves visit <http://www.weg.net>

## Options and Accessories

Type	CATALOG NUMBER	Description	Apprx. Shpg. Wt. (lbs.)
I/O	<a href="#">CFW500-IOS</a> <sup>1</sup>	CFW500 I/O Module; 4 DI, 1 AI, 1 AO, 1 DOR, 1 DOT, 1 RS485, 10vdc, 24vdc	0.2
I/O	<a href="#">CFW500-IOD</a>	CFW500 I/O Module; 8 DI, 1 AI, 1 AO, 1 DOR, 4 DOT, 1 RS485, 10vdc, 24vdc	0.2
I/O	<a href="#">CFW500-IOAD</a>	CFW500 I/O Module; 6 DI, 3 AI, 2 AO, 1 DOR, 3 DOT, 1 RS485, 10vdc, 24vdc	0.2
I/O	<a href="#">CFW500-IOR-B</a>	CFW500 I/O Module; 5 DI, 1 AI, 1 AO, 4 DOR, 1 DOT, 1 RS485, 10vdc, 24vdc	0.2
Encoder Input	<a href="#">CFW500-ENC</a>	CFW500 Encoder Module; Quad Input A & B, 1 RS485, 5 DI, 1 AI, 1 AO, 3 DOR, 1 DOT, 24vdc	0.2
USB Card	<a href="#">CFW500-CUSB</a>	CFW500 Comm. Module; 1 USB, 1 RS485, 4 DI, 1 AI, 1 AO, 1 DOR, 1 DOT, 10vdc, 24vdc	0.2
RS232 Card	<a href="#">CFW500-CRS232</a>	CFW500 Comm. Module; 1 RS232, 1 RS485, 4 DI, 1 AI, 1 AO, 1 DOR, 1 DOT, 24vdc	0.2
RS485 Card	<a href="#">CFW500-CRS485-B</a>	CFW500 Comm. Module; 2 RS485, 4 DI, 2 AI, 1 AO, 2 DOR, 1 DOT, 10vdc, 24vdc	0.2
CANopen Card	<a href="#">CFW500-CCAN</a>	CFW500 Comm. Module; 1 CAN/DeviceNet, 1 RS485, 2 DI, 1 AI, 1 AO, 1 DOR, 1 DOT, 10vdc, 24vdc	0.2
Profibus DP & DP-V1 Module	<a href="#">CFW500-CPDP2</a>	CFW500 Comm. Module; 1-Profibus DP & DP-V1 100BASE TX RJ-45 Port, 1-RS485, 2-DI, 1-AI, 1-AO, 1-DOR, 1-DOT, 24vdc (Terminal Block Connector)	0.2
Modbus TCP Comm. Module	<a href="#">CFW500-CEMB-TCP</a>	CFW500 Comm. Module; 1-Modbus TCP 100BASE TX RJ-45 Port, 1-RS485, 2-DI, 1-AI, 1-AO, 1-DOR, 1-DOT, 24vdc	0.2
ProfiNet I/O Comm. Module	<a href="#">CFW500-CEPN-IO</a>	CFW500 Comm. Module; 1-ProfiNet I/O 100BASE TX RJ-45 Port, 1-RS485, 2-DI, 1-AI, 1-AO, 1-DOR, 1-DOT, 24vdc	0.2
EtherNet IP Comm. Module	<a href="#">CFW500-CETH-IP</a>	CFW500 Comm. Module; 2-DI, 1-AI, 1-AO, 1-DOR, 1-DOT, 1-RS485, 1-EtherNet IP 100BASE TX RJ-45 Port, 24vdc	0.2
STO Module	<a href="#">CFW500-SFY2</a> <sup>2</sup>	CFW500 Safety Function Module; Safe Torque Off (STO) / Stop Category 0, Safe Stop 1 Time Controlled (SS1-t) / Stop Category 1; Safety Category: SIL 3, PL e	1.8
STO Module Plug	<a href="#">CFW50X-STO-JMP</a>	CFW50x STO module plug	0.2
Flash Memory Module	<a href="#">CFW500-MMF</a>	CFW500 Flash Memory Module for saving and reloading program and parameters to / from the drive.	0.2
Remote Keypad - Non Text	<a href="#">CFW500-HMIR</a> <sup>3</sup>	CFW500 Remote non-text Keypad for mounting through enclosure door (Mounting Frame Kit is not required).	0.6
Remote Keypad - Advanced Text	<a href="#">HMI-01</a> <sup>4</sup>	CFW500 Remote Advanced Text Keypad for mounting through enclosure door (Mounting Frame Kit is required).	0.4
Remote Keypad - Advanced Text Frame Kit	<a href="#">CFW500-RHMIF</a>	CFW500 Remote Advanced Text Keypad enclosure door mounting frame kit	0.5
HMI Cable 1M	<a href="#">CFW500-CCHMIRO1M</a>	3.3 ft (1 meter) Remote Keypad Cable	0.5
HMI Cable 2M	<a href="#">CFW500-CCHMIRO2M</a>	6.6 ft (2 meter) Remote Keypad Cable	0.7
HMI Cable 3M	<a href="#">CFW500-CCHMIRO3M</a>	9.9 ft (3 meter) Remote Keypad Cable	1.0
HMI Cable 5M	<a href="#">CFW500-CCHMIRO5M</a>	16 ft (5 meter) Remote Keypad Cable	1.2
HMI Cable 7.5M	<a href="#">CFW500-CCHMIRO75M</a>	25 ft (7.5 meter) Remote Keypad Cable	1.5
HMI Cable 10M	<a href="#">CFW500-CCHMIRO10M</a>	33 ft (10 meter) Remote Keypad Cable	2.0

Wash Down Duty

**Notes:**

1. CFW500-IOS Card is included as standard with CFW500-IP66 Drives.
2. The Safety Function Module can be installed in the CFW500-IP66 drives in addition to the IOS module / any other I/O module / communication module. This model only works with 230VAC and 460VAC drives.
3. The "CFW500-HMIR" Remote Keypad (Non-Text) requires Qty. (1) CFW500-CCHIROxM cable. ("x" represents the cable length in meters).
4. The "HMI-01" remote Keypad (Advanced Text) requires Qty. (1) CFW500-RHMIF & Qty. (1) CFW500-CCHIROxM cable. ("x" represents the cable length in meters). This keypad only works with 230VAC and 460VAC drives.

Please refer to back cover for description of "NOTES"

 For detailed specifications, data sheets, drawings and performance curves visit [http:// www.weg.net](http://www.weg.net)

Data subject to change without notice.

## CFW500-N4X/IP66 Technical Data

Power Supply	Voltage	Single phase or Three Phase	200-240 Vac (+10%, -15%)
		Three phase	380-480 Vac, 500-600 Vac (+10%, -15%)
	Frequency	50 / 60Hz +/- 2Hz	
Enclosure	Degree of Protection	NEMA 4X / IP66	
	Mounting	Indoor / Outdoor	
Control	Control Modes	Volts per Hertz (Scalar)	VVW: Voltage vector control
		Sensorless Voltage Vector	Vector control with encoder
	Power Output	Sinusoidal PWM (Space Vector Modulation)	
		IGBT Transistors	
	Switching Frequency	2.5kHz to 15kHz	
	Frequency Range	0-500 Hz, resolution of 0.015 Hz	
	Overload Capacity	150% for 60 seconds, repeatable every 10 min.	
Inputs	4 programmable isolated digital inputs, 24V DC, NPN (Active Low) or PNP (Active High)		
	1 programmable isolated analog input; programmable for current or voltage (0-10V, 4-20mA or 0-20mA)		
Outputs	1 programmable relay output: Form C (One NO & NC contact), 240 V / 0.5 A		
	1 programmable isolated open collector digital output (transistor Output); 24Vdc.		
	1 programmable isolated analog output; programmable for current or voltage (0-10V, 4-20mA or 0-20mA)		
Power Supply	24 Vdc, +/- 20%, Max. 150 mA		
	10 Vdc, Max. 2 mA		
Communication	Isolated RS485 (One Port)		
	Modbus-RTU with max. communication of 38.4 kbps		
Safety	Protections	Motor over current	DC link over voltage
		Motor overload	DC link under voltage
		Output phase-to-phase short circuit	Drive over temperature
		Output phase-to-ground short circuit	External fault
		Programming error	
Ambient	Temperature	14 - 104°F (-10 to 40°C), up to 122°F (50°C) with 2% / 1.8°F (1°C) output current derating.	
	Humidity	5-95% Non Condensing	
	Altitude	0-3300 ft (1000m), up to 13,200 ft (4000m) with 1% / 328ft (100 m) output current derating.	
Regulatory Conformance	Safety Standards	UL 508C, UL 840, IEN/EN 61800-5-1, EN 50178, IEC/EN 60204-1, IEC/EN 60146, IEC/EN 61800-2	
	Electromagnetic Compatibility (EMC)	IEC/EN 61800-3, CISPR 11, IEC/EN 61000-4-2/3/4/5/6.	
	Mechanical Construction	IEC/EN 60529, UL 50, IEC/EN 60721-3-3	
Special Functions	Linear and "S" ramp accel and decel, local/remote control, FWD/REV selection, DC braking, manual and auto torque boost, motor slip compensation, electronic pot, two skip frequencies, maximum and minimum adjustable frequency limits, adjustable output current, Dc bus regulation, Speed/Torque Control, PID		
Keypad	Three lines of Display (Main display, Secondary display & Bar display) displaying three parameters, LDC; 9 keys		
	Readouts for: output frequency (Hz), output current (A), output voltage (V), motor torque (%) in vector mode, DC bus voltage (V), value proportional to frequency (Ex.: RPM), heatsink temperature, fault and status messages		

Please refer to back cover for description of "NOTES"

For detailed specifications, data sheets, drawings and performance curves visit [http:// www.weg.net](http://www.weg.net)



## SINGLE-PHASE

TEFC – Foot Mount	A-160
TEFC – C-Face – Foot Mount	A-161
TEFC – C-Face – Footless	A-161
TEFC – Foot Mount – Thermally Protected	A-162
ODP – Foot Mount	A-163
ODP – Resilient Base	A-164
ODP – C-Face – Foot Mount	A-165
ODP – C-Face – Footless	A-166
ODP – Foot Mount – Thermally Protected	A-166

## THREE-PHASE

TEFC – Foot Mount	A-167
TEFC – C-Face – Foot Mount	A-168
TEFC – C-Face – Footless	A-169
TEFC – Footless – Explosion Proof	A-169
ODP – Foot Mount	A-170
ODP – C-Face – Foot Mount	A-171
ODP – C-Face – Footless	A-172
ODP – Resilient Base	A-171

## DC MOTORS

NEMA 56 PMDC Motors	A-173
NEMA 145TC PMDC Motors	A-174

## EXPLOSION PROOF - SINGLE-PHASE

Foot Mount	A-175
C-Face – Foot Mount	A-175

## EXPLOSION PROOF - THREE-PHASE

Foot Mount	A-176
C-Face – Foot Mount	A-176

# Fractional Motors

## Single-Phase TEFC & ODP

High Starting Torque makes these motors ideal for a wide range of applications.

### Standard Features:

- Ball bearings
- Class F insulation

### Features that make a difference:

- High Starting Torque
- TEFC motors are rated IP55 (gasketed conduit box and capacitor cover)



ODP



TEFC



Resilient Base



# Fractional Motors

## Three-Phase TEFC & ODP

High Starting Torque makes these motors ideal for a wide range of applications.

### Standard Features:

- 50/60 Hz Rated
- Ball bearings
- Class F insulation



ODP



TEFC



Resilient Base

### Features that make a difference:

- Motors are suitable for VFD operation (TEFC)
- 50/60 Hz Rated
- Service Factor 1.15 or better
- TEFC rated IP55 (gasketed conduit box and capacitor cover)

#### Inverter Rated

	Max Ambient temp.	Efficiency	Frame	Output	Poles	CT Constant Torque	VT Variable torque
ODP	Up to 40°C	None (Standard Eff)	48 - 56	<1Hp	-	4:1	1000:1
				≥ 1Hp	-	2:1	
		Premium Efficiency	48 - 56	<1Hp	2	5:1	
				≥ 1Hp	2	3:1	
TEFC		None (Standard Eff)	48 - 56	<1Hp	-	10:1	
				≥ 1Hp	-	5:1	
		Premium Efficiency	48 - 56	-	2	10:1	
				-	4, 6 and 8	4:1	

Fractional Motors



Please refer to inside back cover for description of "NOTES"

For detailed specifications, data sheets, drawings and performance curves visit <http://www.weg.net>

Data subject to change without notice.

Can't find what you are looking for? Call 1-800-ASK-4WEG (275-4934)

A-159

# Fractional Motors

SINGLE -PHASE



## TEFC - Foot Mount

HP	kW	RPM	Frame	Catalog Number	List Price	Mult. Symbol	Approx. Shipping Weight (lbs)	Service Factor	FL Amps @ High	FL. Eff (%)	"C" Dimension (in)	Voltage (V)	Notes
0.25	0.18	3600	W56	.2536ES1BW56-S	\$257	F1	20	1.15	2.10	50.0	10.713	115/208-230	9
		1800	W56	.2518ES1BW56-S	\$267	F1	20	1.15	2.30	57.0	11.106	115/208-230	9
0.33	0.25	3600	W56	.3336ES1BW56-S	\$267	F1	23	1.15	2.60	54.0	11.106	115/208-230	9
		1800	W56	.3318ES1BW56-S	\$283	F1	22	1.15	3.00	61.0	11.500	115/208-230	9
		1800	W56	.3318ES1RFDW56-S	\$284	R1	22	1.15	3.00	61.0	11.500	115/230	4;9
0.5	0.37	3600	W56	.5036ES1BW56-S	\$284	F1	24	1.15	3.50	60.0	11.500	115/208-230	9
		3600	W56	.5036ES1BOLW56-S	\$316	F1	24	1.15	3.50	60.0	11.500	115/208-230	4;9
		1800	W56	.5018ES1RFDW56-S	\$308	R1	25	1.15	4.00	64.0	11.894	115/230	4;9
		1800	W56	.5018ES1BW56-S	\$312	F1	24	1.15	4.00	64.0	11.894	115/208-230	9
		1200	W56	.5012ES1B56-S	\$512	F1	38	1.15	3.20	71.0	13.508	115/208-230	9
0.75	0.55	3600	56	.7536ES1BOL56-S	\$329	F1	31	1.15	4.00	66.0	12.721	115/208-230	4;9
		3600	56	.7536ES1B56-S	\$297	F1	31	1.15	4.00	66.0	12.721	115/208-230	9
		1800	56	.7518ES1RFD56-S	\$357	R1	34	1.15	5.30	68.5	13.114	115/230	4;9
		1800	56	.7518ES1B56-S	\$348	F1	33	1.15	5.30	68.5	13.114	115/208-230	9
		1200	56H	.7512ES1B56-S	\$648	F1	44	1.15	4.70	70.0	14.295	115/208-230	9
1	0.75	3600	56	00136ES1BOL56-S	\$408	F1	35	1.15	5.10	70.0	13.114	115/208-230	4;9
		3600	56	00136ES1B56-S	\$376	F1	34	1.15	5.10	70.0	13.114	115/208-230	9
		1800	56	00118ES1RFD56-S	\$394	R1	40	1.15	6.80	71.0	13.901	115/230	4;9
		1800	56	00118ES1B56-S	\$401	F1	39	1.15	6.80	71.0	13.902	115/208-230	9
1.5	1.1	3600	56	00156ES1B56-S	\$432	F1	39	1.15	6.60	75.0	13.902	115/208-230	9
		3600	56	00156ES1BOL56-S	\$463	F1	39	1.15	6.60	75.0	13.902	115/208-230	4;9
		1800	56H	00158ES1RFD56H-S	\$502	R1	51	1.15	7.50	77.0	15.083	115/230	4;9
		1800	56H	00158ES1B56-S	\$456	F1	40	1.15	7.50	77.0	15.083	115/208-230	9
2	1.5	3600	56H	00236ES1BOL56-S	\$592	F1	44	1.15	8.70	77.0	14.295	115/208-230	4;9
		3600	56H	00236ES1B56-S	\$561	F1	44	1.15	8.70	77.0	14.295	115/208-230	9
		1800	56H	00218ES1RFD56H-S	\$529	R1	56	1.15	10.0	78.5	15.870	115/230	4;9

Fractional Motors

Please refer to inside back cover for description of "NOTES"

For detailed specifications, data sheets, drawings and performance curves visit <http://www.weg.net>



### TEFC - C-Face - Foot Mount

HP	kW	RPM	Frame	Catalog Number	List Price	Mult. Symbol	Approx. Shipping Weight (lbs)	Service Factor	FL Amps @ High	FL. Eff (%)	"C" Dimension (in)	Voltage (V)	Notes
0.25	0.18	3600	W56C	.2536ES1BW56C-S	\$280	F1	20	1.15	2.10	50.0	10.713	115/208-230	9
		1800	W56C	.2518ES1BW56C-S	\$288	F1	20	1.15	2.30	57.0	11.106	115/208-230	9
0.33	0.25	3600	W56C	.3336ES1BW56C-S	\$288	F1	22	1.15	2.60	54.0	11.106	115/208-230	9
		1800	W56C	.3318ES1BW56C-S	\$304	F1	22	1.15	3.00	61.0	11.500	115/208-230	9
0.5	0.37	3600	W56C	.5036ES1BW56C-S	\$313	F1	24	1.15	3.50	60.0	11.500	115/208-230	9
		1800	W56C	.5018ES1BW56C-S	\$333	F1	26	1.15	4.00	64.0	11.894	115/208-230	9
		1800	W56C	.5018ES1BOW56C-S	\$348	F1	24	1.15	4.00	64.0	11.894	115/208-230	3;9
		1200	W56C	.5012ES1B56C-S	\$535	F1	39	1.15	3.20	67.0	13.508	115/208-230	9
0.75	0.55	3600	56C	.7536ES1B56C-S	\$353	F1	32	1.15	4.00	66.0	12.721	115/208-230	9
		1800	56C	.7518ES1B56C-S	\$370	F1	34	1.15	5.30	68.5	13.114	115/208-230	9
		1200	56HC	.7512ES1B56C-S	\$669	F1	45	1.15	4.70	70.0	14.295	115/208-230	9
1	0.75	3600	56C	00136ES1B56C-S	\$378	F1	35	1.15	5.10	70.0	13.114	115/208-230	9
		1800	56C	00118ES1B56C-S	\$424	F1	40	1.15	6.80	71.0	13.902	115/208-230	9
		1800	56C	00118ES1B056C-S	\$439	F1	40	1.15	6.80	71.0	13.902	115/208-230	3;9
1.5	1.1	3600	56C	00156ES1B56C-S	\$454	F1	40	1.15	6.60	75.0	13.902	115/208-230	9
		1800	56HC	00158ES1B056C-S	\$493	F1	41	1.15	7.50	77.0	15.083	115/208-230	3;9
		1800	56HC	00158ES1B56C-S	\$478	F1	41	1.15	7.50	77.0	15.083	115/208-230	9
2	1.5	3600	56HC	00236ES1B56C-S	\$589	F1	44	1.15	8.70	77.0	14.295	115/208-230	9



### TEFC - C-Face - Footless

HP	kW	RPM	Frame	Catalog Number	List Price	Mult. Symbol	Approx. Shipping Weight (lbs)	Service Factor	FL Amps @ High	FL. Eff (%)	"C" Dimension (in)	Voltage (V)	Notes
0.33	0.25	3600	W56C	.3336ES1BW56CFL-S	\$288	F1	21	1.15	2.60	53.0	11.106	115/208-230	9;20
		1800	W56C	.3318ES1BW56CFL-S	\$304	F1	22	1.15	3.00	61.0	11.500	115/208-230	9;20
0.5	0.37	3600	W56C	.5036ES1BW56CFL-S	\$313	F1	24	1.15	3.50	60.0	11.500	115/208-230	9;20
		1800	W56C	.5018ES1BW56CFL-S	\$333	F1	24	1.15	4.00	64.0	11.894	115/208-230	9;20
		1200	56C	.5012ES1B56CFL-S	\$535	F1	38	1.15	3.20	71.0	13.508	115/208-230	9;20
		3600	56C	.7536ES1B56CFL-S	\$353	F1	31	1.15	4.00	66.0	12.721	115/208-230	9;20
0.75	0.55	1800	56C	.7518ES1B56CFL-S	\$370	F1	34	1.15	5.30	68.5	13.114	115/208-230	9;20
		1200	56C	.7512ES1B56CFL-S	\$669	F1	44	1.15	4.70	70.0	14.295	115/208-230	9;20
		3600	56C	00136ES1B56CFL-S	\$378	F1	35	1.15	5.10	70.0	13.114	115/208-230	9;20
1	0.75	1800	56C	00118ES1B56CFL-S	\$424	F1	39	1.15	6.80	71.0	13.902	115/208-230	9;20
		3600	56C	00156ES1B56CFL-S	\$454	F1	39	1.15	6.60	75.0	13.902	115/208-230	9;20
1.5	1.1	1800	56C	00158ES1B56CFL-S	\$478	F1	40	1.15	7.50	77.0	15.083	115/208-230	9;20
		3600	56C	00236ES1B56CFL-S	\$589	F1	43	1.15	8.70	77.0	14.295	115/208-230	9;20

Please refer to inside back cover for description of "NOTES"

For detailed specifications, data sheets, drawings and performance curves visit <http://www.weg.net>

Data subject to change without notice.

Can't find what you are looking for? Call 1-800-ASK-4WEG (275-4934)

# Fractional Motors

SINGLE -PHASE



## TEFC - Foot Mount - Thermally Protected

HP	kW	RPM	Frame	Catalog Number	List Price	Mult. Symbol	Approx. Shipping Weight (lbs)	Service Factor	FL Amps @ High	FL. Eff (%)	"C" Dimension (in)	Voltage (V)	Notes
0.33	0.25	1800	W56	<b>.3318ES1RFDW56-S</b>	<b>\$284</b>	R1	22	1.15	3.00	61.0	11.500	115/230	4;9
		3600	W56	<b>.5036ES1BOLW56-S</b>	<b>\$316</b>	F1	24	1.15	3.50	60.0	11.500	115/208-230	4;9
0.5	0.37	1800	W56	<b>.5018ES1RFDW56-S</b>	<b>\$308</b>	R1	25	1.15	4.00	64.0	11.894	115/230	4;9
		3600	56	<b>.7536ES1BOL56-S</b>	<b>\$329</b>	F1	31	1.15	4.00	66.0	12.721	115/208-230	4;9
0.75	0.55	1800	56	<b>.7518ES1RFD56-S</b>	<b>\$357</b>	R1	34	1.15	5.30	68.5	13.114	115/230	4;9
		3600	56	<b>00136ES1BOL56-S</b>	<b>\$408</b>	F1	35	1.15	5.10	70.0	13.114	115/208-230	4;9
1	0.75	1800	56	<b>00118ES1RFD56-S</b>	<b>\$394</b>	R1	40	1.15	6.80	71.0	13.901	115/230	4;9
		3600	56	<b>00156ES1BOL56-S</b>	<b>\$463</b>	F1	39	1.15	6.60	75.0	13.902	115/208-230	4;9
1.5	1.1	1800	56H	<b>00158ES1RFD56H-S</b>	<b>\$502</b>	R1	51	1.15	7.50	77.0	15.083	115/230	4;9
		3600	56H	<b>00236ES1BOL56-S</b>	<b>\$592</b>	F1	44	1.15	8.70	77.0	14.295	115/208-230	4;9
2	1.5	1800	56H	<b>00218ES1RFD56H-S</b>	<b>\$529</b>	R1	56	1.15	10.0	78.5	15.870	115/230	4;9



### ODP - Foot Mount

HP	kW	RPM	Frame	Catalog Number	List Price	Mult. Symbol	Approx. Shipping Weight (lbs)	Service Factor	FL Amps @ High	FL. Eff (%)	"C" Dimension (in)	Voltage (V)	Notes
0.12	0.09	1800	48	<b>.12180S1B48-S</b>	<b>\$201</b>	F1B	18	1.40	1.40	50.0	9.098	115/208-230	9
		3600	48	<b>.16360S1B48-S</b>	<b>\$216</b>	F1B	21	1.35	1.40	53.0	9.098	115/208-230	9
0.16	0.12	1800	48	<b>.16180S1B48-S</b>	<b>\$208</b>	F1B	22	1.35	1.70	53.0	9.098	115/208-230	9
		3600	48	<b>.25360T1B48-S</b>	<b>\$253</b>	F2B	19	1.35	1.30	66.6	9.492	115/208-230	9
0.25	0.18	3600	W56	<b>.25360T1BW56-S</b>	<b>\$253</b>	F2B	19	1.35	1.30	66.6	9.866	115/208-230	9
		1800	48	<b>.25180T1B48-S</b>	<b>\$241</b>	F2B	18	1.35	1.60	68.5	9.492	115/208-230	9
		1800	W56	<b>.25180T1BW56-S</b>	<b>\$241</b>	F2B	19	1.35	1.60	68.5	9.866	115/208-230	9
		3600	48	<b>.33360T1B48-S</b>	<b>\$256</b>	F2B	23	1.35	1.60	70.5	9.886	115/208-230	9
0.33	0.25	3600	W56	<b>.33360T1BW56-S</b>	<b>\$257</b>	F2B	23	1.35	1.60	70.5	10.260	115/208-230	9
		1800	48	<b>.33180T1B48-S</b>	<b>\$275</b>	F2B	20	1.35	2.10	72.4	9.886	115/208-230	9
		1800	W56	<b>.33180T1BW56-S</b>	<b>\$275</b>	F2B	21	1.35	2.10	72.4	10.260	115/208-230	9
		3600	48	<b>.50360T1B48-S</b>	<b>\$276</b>	F2B	23	1.25	2.40	72.4	9.886	115/208-230	9
0.5	0.37	3600	W56	<b>.50360S1BCDW56-S</b>	<b>\$224</b>	C1S	28	1.00	3.10	63.0	9.866	115/208-230	1;4;6;9
		3600	W56	<b>.50360T1BW56-S</b>	<b>\$282</b>	F2B	24	1.25	2.40	72.4	10.260	115/208-230	9
		1800	48	<b>.50180T1B48-S</b>	<b>\$318</b>	F2B	23	1.25	2.80	76.2	10.280	115/208-230	9
		1800	W56	<b>.50180T1BW56-S</b>	<b>\$307</b>	F2B	23	1.25	2.80	76.2	10.654	115/208-230	9
		3600	W56	<b>.75360S1BCDW56-S</b>	<b>\$237</b>	C1S	22	1.00	4.30	68.5	10.260	115/208-230	1;4;6;9
0.75	0.55	3600	56	<b>.75360T1B56-S</b>	<b>\$320</b>	F2B	30	1.25	3.40	76.2	11.890	115/208-230	9
		1800	56	<b>.75180T1B56-S</b>	<b>\$387</b>	F2B	38	1.25	3.40	81.8	11.890	115/208-230	9
		3600	56	<b>001360S1BCD56-S</b>	<b>\$278</b>	C1S	36	1.00	6.60	67.0	11.102	115/208-230	1;4;6;9
1	0.75	3600	56	<b>001360T1B56-S</b>	<b>\$347</b>	F2B	35	1.25	4.30	80.4	11.890	115/208-230	9
		1800	56	<b>001180T1B56-S</b>	<b>\$421</b>	F2B	41	1.15	4.50	82.6	12.677	115/208-230	9
		1800	56	<b>001180T1B056-S</b>	<b>\$438</b>	F2B	41	1.15	4.50	82.6	12.677	115/208-230	3;9
		3600	56	<b>001560S1BCD56-S</b>	<b>\$311</b>	C1S	40	1.00	8.70	68.0	11.496	115/208-230	1;4;6;9
1.5	1.1	3600	56	<b>001560T1B56-S</b>	<b>\$393</b>	F2B	38	1.15	6.20	81.5	12.284	115/208-230	9
		1800	56H	<b>001580T1B56-S</b>	<b>\$523</b>	F2B	49	1.15	6.80	83.8	13.071	115/208-230	9
		1800	56H	<b>001580T1B056-S</b>	<b>\$541</b>	F2B	50	1.15	6.80	83.8	13.465	115/208-230	3;9
		3600	56H	<b>002360S1BCD56-S</b>	<b>\$372</b>	C1S	34	1.00	8.90	70.0	11.890	115/208-230	1;4;6;9
2	1.5	3600	56H	<b>002360T1B56-S</b>	<b>\$485</b>	F2B	43	1.15	8.40	82.9	12.677	115/208-230	9
		1800	56H	<b>002180T1B56-S</b>	<b>\$626</b>	F2B	54	1.15	9.30	84.5	13.465	115/208-230	9
		3600	56H	<b>003360S1CCD56-S</b>	<b>\$432</b>	C1S	41	1.00	12.7	80.0	12.677	208-230	1;4;6;9
3	2.2	3600	56H	<b>003360T1B56-S</b>	<b>\$568</b>	F2B	52	1.15	12.2	84.1	13.465	115/208-230	9
		3600	56H	<b>005360S1DCD56H-S</b>	<b>\$458</b>	C1S	53	1.00	20.3	80.0	13.465	230	1;4;6;9
5	3.7	3600	56HZ	<b>005360S1DCD56HZ-S</b>	<b>\$481</b>	C1S	53	1.00	20.3	80.0	13.533	230	1;4;5;6;9

Please refer to inside back cover for description of "NOTES"

For detailed specifications, data sheets, drawings and performance curves visit <http://www.weg.net>

Data subject to change without notice.

Can't find what you are looking for? Call 1-800-ASK-4WEG (275-4934)

# Fractional Motors

SINGLE -PHASE



## ODP - Resilient Base

HP	kW	RPM	Frame	Catalog Number	List Price	Mult. Symbol	Approx. Shipping Weight (lbs)	Service Factor	FL Amps @ High	FL. Eff (%)	"C" Dimension (in)	Voltage (V)	Notes
0.16	0.12	1800	48Z	<a href="#">.16180S1ASPRB048Z-S</a>	<b>\$272</b>	F1B	21	1.35	3.00	50.5	10.138	115	3;9;13;16
		1800	48Z	<a href="#">.16180S1ASPRB48Z-S</a>	<b>\$260</b>	F1B	21	1.35	3.00	50.5	10.138	115	9;13;16
0.25	0.18	1800	48Z	<a href="#">.25180S1BSPRB048Z-S</a>	<b>\$274</b>	F1B	22	1.35	2.10	55.0	10.138	115/208-230	3;9;13;16
		1800	48Z	<a href="#">.25180S1ASPRB048Z-S</a>	<b>\$274</b>	F1B	22	1.35	4.30	55.0	10.138	115	3;9;13;16
		1800	48Z	<a href="#">.25180S1ASPRB48Z-S</a>	<b>\$262</b>	F1B	22	1.35	4.30	55.0	10.138	115	9;13;16
0.33	0.25	1800	48Z	<a href="#">.33180S1BSPRB048Z-S</a>	<b>\$284</b>	F1B	24	1.35	2.60	60.8	10.138	115/208-230	3;9;13;16
		1800	W56	<a href="#">.33180S1BSPRB0W56-S</a>	<b>\$288</b>	F1B	25	1.35	2.60	62.0	10.138	115/208-230	3;9;13;16
		1800	W56	<a href="#">.33180S1BSPRBW56-S</a>	<b>\$276</b>	F1B	25	1.35	2.60	62.0	10.138	115/208-230	9;13;16
		1800	48Z	<a href="#">.33180S1BSPRB48Z-S</a>	<b>\$272</b>	F1B	24	1.35	2.60	60.8	10.138	115/208-230	9;13;16
		1800	W56	<a href="#">.33180T1BRBOW56-S</a>	<b>\$325</b>	F2B	24	1.35	2.10	72.4	10.925	115/208-230	3;9;13
0.5	0.37	1800	48Z	<a href="#">.50180S1BSPRB048Z-S</a>	<b>\$311</b>	F1B	29	1.25	3.70	63.5	10.925	115/208-230	3;9;13;16
		1800	48Z	<a href="#">.50180S1BSPRB48Z-S</a>	<b>\$299</b>	F1B	29	1.25	3.70	63.5	10.925	115/208-230	9;13;16
		1800	W56	<a href="#">.50180S1BSPRB0W56-S</a>	<b>\$316</b>	F1B	30	1.25	3.70	63.5	10.945	115/208-230	3;9;13;16
		1800	W56	<a href="#">.50180S1BSPRBW56-S</a>	<b>\$304</b>	F1B	30	1.25	3.70	63.5	10.945	115/208-230	9;13;16
		1800	W56	<a href="#">.50180T1BRBOW56-S</a>	<b>\$368</b>	F2B	26	1.25	2.75	76.2	11.319	115/208-230	3;9;13
0.75	0.55	1800	56	<a href="#">.75180T1BRB056-S</a>	<b>\$434</b>	F2B	38	1.25	3.40	81.8	12.402	115/208-230	3;9;13
1	0.75	1800	56	<a href="#">001180T1BRB056-S</a>	<b>\$468</b>	F2B	43	1.15	4.50	82.6	13.189	115/208-230	3;9;13
1.5	1.1	3600	56	<a href="#">001560T1BRB056-S</a>	<b>\$450</b>	F2B	39	1.15	6.20	81.5	12.795	115/208-230	3;9;13
		1800	56H	<a href="#">001580T1BRB056-S</a>	<b>\$570</b>	F2B	50	1.15	6.80	83.8	13.583	115/208-230	3;9;13
2	1.5	1800	56H	<a href="#">002180T1BRB056H-S</a>	<b>\$616</b>	F2B	57	1.15	9.30	84.5	14.373	115/208-230	3;9;13

Please refer to inside back cover for description of "NOTES"

For detailed specifications, data sheets, drawings and performance curves visit [http:// www.weg.net](http://www.weg.net)





### ODP - C-Face - Foot Mount

HP	kW	RPM	Frame	Catalog Number	List Price	Mult. Symbol	Approx. Shipping Weight (lbs)	Service Factor	FL Amps @ High	FL. Eff (%)	"C" Dimension (in)	Voltage (V)	Notes
0.12	0.09	1800	48CH	<a href="#">.12180S1B48CH-S</a>	<b>\$222</b>	F1B	18	1.40	1.40	50.0	9.098	115/208-230	9
0.16	0.12	3600	48CH	<a href="#">.16360S1B48CH-S</a>	<b>\$237</b>	F1B	21	1.35	1.40	53.0	9.098	115/208-230	9
		1800	48CH	<a href="#">.16180S1B48CH-S</a>	<b>\$231</b>	F1B	22	1.35	1.70	53.0	9.098	115/208-230	9
0.25	0.18	3600	48CH	<a href="#">.25360T1B48CH-S</a>	<b>\$277</b>	F2B	19	1.35	1.30	66.6	9.492	115/208-230	9
		3600	W56C	<a href="#">.25360T1BW56C-S</a>	<b>\$281</b>	F2B	19	1.35	1.30	66.6	9.866	115/208-230	9
		1800	48CH	<a href="#">.25180T1B48CH-S</a>	<b>\$269</b>	F2B	18	1.35	1.60	68.5	9.492	115/208-230	9
		1800	W56C	<a href="#">.25180T1BW56C-S</a>	<b>\$269</b>	F2B	19	1.35	1.60	68.5	9.866	115/208-230	9
0.33	0.25	3600	48CH	<a href="#">.33360T1B48CH-S</a>	<b>\$282</b>	F2B	23	1.35	1.60	70.5	9.886	115/208-230	9
		3600	W56C	<a href="#">.33360T1BW56C-S</a>	<b>\$285</b>	F2B	23	1.35	1.60	70.5	10.260	115/208-230	9
		1800	48CH	<a href="#">.33180T1B48CH-S</a>	<b>\$299</b>	F2B	20	1.35	2.10	72.4	9.886	115/208-230	9
		1800	W56C	<a href="#">.33180T1BW56C-S</a>	<b>\$303</b>	F2B	21	1.35	2.10	72.4	10.260	115/208-230	9
0.5	0.37	3600	48CH	<a href="#">.50360T1B48CH-S</a>	<b>\$300</b>	F2B	23	1.25	2.40	72.4	9.886	115/208-230	9
		3600	W56C	<a href="#">.50360T1BW56C-S</a>	<b>\$310</b>	F2B	24	1.25	2.40	72.4	10.260	115/208-230	9
		1800	W56C	<a href="#">.50180T1BOW56C-S</a>	<b>\$352</b>	F2B	24	1.25	2.80	76.2	10.654	115/208-230	3;9
		1800	W56C	<a href="#">.50180T1BW56C-S</a>	<b>\$335</b>	F2B	24	1.25	2.80	76.2	10.654	115/208-230	9
0.75	0.55	3600	56C	<a href="#">.75360T1B56C-S</a>	<b>\$348</b>	F2B	30	1.25	3.40	76.2	11.890	115/208-230	9
		1800	56C	<a href="#">.75180T1B56C-S</a>	<b>\$415</b>	F2B	38	1.25	3.40	81.8	11.890	115/208-230	9
1	0.75	3600	56C	<a href="#">001360T1B56C-S</a>	<b>\$375</b>	F2B	35	1.25	4.30	80.4	11.890	115/208-230	9
		1800	56C	<a href="#">001180T1B56C-S</a>	<b>\$449</b>	F2B	41	1.15	4.50	82.6	12.677	115/208-230	9
1.5	1.1	3600	56C	<a href="#">001560T1B56C-S</a>	<b>\$421</b>	F2B	38	1.15	6.20	81.5	12.284	115/208-230	9
		1800	56HC	<a href="#">001580T1B56C-S</a>	<b>\$551</b>	F2B	49	1.15	6.80	83.8	13.071	115/208-230	9
2	1.5	3600	56HC	<a href="#">002360T1B56C-S</a>	<b>\$513</b>	F2B	43	1.15	8.40	82.9	12.677	115/208-230	9
		1800	56HC	<a href="#">002180T1B56C-S</a>	<b>\$654</b>	F2B	54	1.15	9.30	84.5	13.465	115/208-230	9
3	2.2	3600	56HC	<a href="#">003360T1B56C-S</a>	<b>\$596</b>	F2B	52	1.15	12.2	84.1	13.465	115/208-230	9

Please refer to inside back cover for description of "NOTES"

For detailed specifications, data sheets, drawings and performance curves visit <http://www.weg.net>

Data subject to change without notice.

Can't find what you are looking for? Call 1-800-ASK-4WEG (275-4934)

# Fractional Motors

SINGLE -PHASE



## ODP - C-Face - Footless

HP	kW	RPM	Frame	Catalog Number	List Price	Mult. Symbol	Approx. Shipping Weight (lbs)	Service Factor	FL Amps @ High	FL. Eff (%)	"C" Dimension (in)	Voltage (V)	Notes
0.25	0.18	1800	W56C	<a href="#">.25180T1BW56CFL-S</a>	<b>\$269</b>	F2B	18	1.35	1.60	68.5	9.866	115/208-230	9;20;51
0.33	0.25	3600	W56C	<a href="#">.33360T1BW56CFL-S</a>	<b>\$285</b>	F2B	23	1.35	1.60	70.5	10.260	115/208-230	9;20
		3600	W56C	<a href="#">.33360T1BOW56CFL-S</a>	<b>\$302</b>	F2B	23	1.35	1.60	70.5	10.260	115/208-230	3;9;20
		1800	W56C	<a href="#">.33180T1BW56CFL-S</a>	<b>\$303</b>	F2B	20	1.35	2.10	72.4	10.260	115/208-230	9;20
0.5	0.37	3600	W56C	<a href="#">.50360T1BOW56CFL-S</a>	<b>\$327</b>	F2B	23	1.25	2.40	72.4	10.260	115/208-230	3;9;20
		3600	W56C	<a href="#">.50360T1BW56CFL-S</a>	<b>\$310</b>	F2B	23	1.25	2.40	72.4	10.260	115/208-230	9;20
		1800	W56C	<a href="#">.50180T1BW56CFL-S</a>	<b>\$335</b>	F2B	23	1.25	2.80	76.2	10.654	115/208-230	9;20
0.75	0.55	3600	56C	<a href="#">.75360T1B056CFL-S</a>	<b>\$365</b>	F2B	29	1.25	3.40	76.2	11.890	115/208-230	3;9;20
		3600	56C	<a href="#">.75360T1B56CFL-S</a>	<b>\$348</b>	F2B	29	1.25	3.40	76.2	11.890	115/208-230	9;20
		1800	56C	<a href="#">.75180T1B56CFL-S</a>	<b>\$415</b>	F2B	38	1.25	3.40	81.8	11.890	115/208-230	9;20
1	0.75	3600	56C	<a href="#">001360T1B56CFL-S</a>	<b>\$375</b>	F2B	35	1.25	4.30	80.4	11.890	115/208-230	9;20
		3600	56C	<a href="#">001360T1B056CFL-S</a>	<b>\$392</b>	F2B	35	1.25	4.30	80.4	11.890	115/208-230	3;9;20
		1800	56C	<a href="#">001180T1B56CFL-S</a>	<b>\$449</b>	F2B	41	1.15	4.50	82.6	12.677	115/208-230	9;20
1.5	1.1	3600	56C	<a href="#">001560T1B56CFL-S</a>	<b>\$421</b>	F2B	38	1.15	6.20	81.5	12.284	115/208-230	9;20
		3600	56C	<a href="#">001560T1B056CFL-S</a>	<b>\$438</b>	F2B	38	1.15	6.20	81.5	12.284	115/208-230	3;9;20;51
		1800	56C	<a href="#">001580T1B56CFL-S</a>	<b>\$551</b>	F2B	48	1.15	6.80	83.8	13.071	115/208-230	9;20
2	1.5	3600	56C	<a href="#">002360T1B56CFL-S</a>	<b>\$513</b>	F2B	43	1.15	8.40	82.9	12.677	115/208-230	9;20
		3600	56C	<a href="#">002360T1B056CFL-S</a>	<b>\$530</b>	F2B	43	1.15	8.40	82.9	12.677	115/208-230	3;9;20;51
		1800	56C	<a href="#">002180T1B56CFL-S</a>	<b>\$654</b>	F2B	54	1.15	9.30	84.5	13.465	115/208-230	9;20
3	2.2	3600	56C	<a href="#">003360T1B056CFL-S</a>	<b>\$613</b>	F2B	51	1.15	12.2	84.1	13.465	115/208-230	3;9;20
		3600	56C	<a href="#">003360T1B56CFL-S</a>	<b>\$596</b>	F2B	51	1.15	12.2	84.1	13.465	115/208-230	9;20



## ODP - Foot Mount - Thermally Protected

HP	kW	RPM	Frame	Catalog Number	List Price	Mult. Symbol	Approx. Shipping Weight (lbs)	Service Factor	FL Amps @ High	FL. Eff (%)	"C" Dimension (in)	Voltage (V)	Notes
0.5	0.37	3600	W56	<a href="#">.50360S1BCDW56-S</a>	<b>\$224</b>	C1S	28	1.00	3.10	63.0	9.866	115/208-230	1;4;6;9
0.75	0.55	3600	W56	<a href="#">.75360S1BCDW56-S</a>	<b>\$237</b>	C1S	22	1.00	4.30	68.5	10.260	115/208-230	1;4;6;9
1	0.75	3600	56	<a href="#">001360S1BCD56-S</a>	<b>\$278</b>	C1S	36	1.00	6.60	67.0	11.102	115/208-230	1;4;6;9
		1800	56	<a href="#">001180T1B056-S</a>	<b>\$438</b>	F2B	41	1.15	4.50	82.6	12.677	115/208-230	3;9
1.5	1.1	3600	56	<a href="#">001560S1BCD56-S</a>	<b>\$311</b>	C1S	40	1.00	8.70	68.0	11.496	115/208-230	1;4;6;9
		1800	56H	<a href="#">001580T1B056-S</a>	<b>\$541</b>	F2B	50	1.15	6.80	83.8	13.465	115/208-230	3;9
2	1.5	3600	56H	<a href="#">002360S1BCD56-S</a>	<b>\$372</b>	C1S	34	1.00	8.90	70.0	11.890	115/208-230	1;4;6;9
3	2.2	3600	56H	<a href="#">003360S1CCD56-S</a>	<b>\$432</b>	C1S	41	1.00	12.7	80.0	12.677	208-230	1;4;6;9
5	3.7	3600	56H	<a href="#">005360S1DCD56H-S</a>	<b>\$458</b>	C1S	53	1.00	20.3	80.0	13.465	230	1;4;6;9
		3600	56HZ	<a href="#">005360S1DCD56HZ-S</a>	<b>\$481</b>	C1S	53	1.00	20.3	80.0	13.533	230	1;4;5;6;9

Please refer to inside back cover for description of "NOTES"

For detailed specifications, data sheets, drawings and performance curves visit <http://www.weg.net>



### TEFC - Foot Mount

HP	kW	RPM	Frame	Catalog Number	List Price	Mult. Symbol	Approx. Shipping Weight (lbs)	Service Factor	FL Amps @ High	FL. Eff (%)	"C" Dimension (in)	Voltage (V)	Notes
0.25	0.18	3600	56	.2536ES3E56-S	\$237	F1	21	1.15	0.50	57.5	11.142	208-230/460	9
		1800	56	.2518ES3E56-S	\$249	F1	23	1.15	0.50	70.0	11.142	208-230/460	9
0.33	0.25	3600	56	.3336ES3E56-S	\$249	F1	22	1.15	0.60	62.0	11.142	208-230/460	9
		1800	56	.3318ES3E56-S	\$253	F1	24	1.15	0.60	74.0	11.535	208-230/460	9
0.5	0.37	3600	56	.5036ES3E56-S	\$258	F1	24	1.15	0.80	68.0	11.535	208-230/460	9
		1800	56	.5018ES3E56-S	\$287	F1	26	1.15	0.90	77.0	11.535	208-230/460	9
		1800	56	.5018ES3H56-S	\$288	F1	26	1.15	0.70	77.0	11.535	575	9
		1200	56	.5012ES3E56-S	\$417	F1	31	1.15	1.00	72.0	12.323	208-230/460	9
0.75	0.55	3600	56	.7536ES3E56-S	\$287	F1	25	1.15	1.10	72.0	11.535	208-230/460	9
		3600	56	.7536ES3H56-S	\$288	F1	25	1.15	0.90	72.0	11.535	575	9
		1800	56	.7518ES3E56-S	\$311	F1	28	1.15	1.20	78.5	11.929	208-230/460	9
		1200	56H	.7512ES3E56-S	\$427	F1	34	1.15	1.30	75.5	12.716	208-230/460	9
1	0.75	3600	W56	00136ET3EW56-S	\$392	F1	25	1.15	1.50	78.5	11.106	230/460	9
		3600	W56	00136ET3HW56-S	\$392	F1	25	1.15	1.20	78.5	11.106	575	9
		1800	56	00118ET3E56-S	\$379	F1	41	1.15	1.50	85.5	13.504	230/460	9
		1800	56	00118ET3H56-S	\$379	F1	41	1.15	1.20	85.5	13.504	575	9
		1200	56H	00112ET3E56-S	\$497	F1	42	1.15	1.60	82.5	13.504	230/460	9
1.5	1.1	3600	56	00156ET3E56-S	\$433	F1	37	1.15	1.90	84.0	13.109	230/460	9
		1800	56H	00158ET3E56-S	\$435	F1	44	1.15	2.00	86.5	13.504	230/460	9
2	1.5	3600	56H	00236ET3E56-S	\$489	F1	44	1.15	2.50	85.5	13.898	230/460	9
		1800	56H	00218ET3E56-S	\$478	F1	46	1.15	2.70	86.5	13.898	230/460	9
3	2.2	3600	56H	00336ET3E56-S	\$578	F1	54	1.15	3.50	86.5	15.079	230/460	9

Please refer to inside back cover for description of "NOTES"

For detailed specifications, data sheets, drawings and performance curves visit [http:// www.weg.net](http://www.weg.net)

Data subject to change without notice.

Can't find what you are looking for? Call 1-800-ASK-4WEG (275-4934)

# Fractional Motors



THREE -PHASE

## TEFC - C-Face - Foot Mount

HP	kW	RPM	Frame	Catalog Number	List Price	Mult. Symbol	Approx. Shipping Weight (lbs)	Service Factor	FL Amps @ High	FL. Eff (%)	"C" Dimension (in)	Voltage (V)	Notes
0.25	0.18	3600	56C	.2536ES3E56C-S	\$258	F1	21	1.15	0.50	57.5	11.142	208-230/460	9
		1800	56C	.2518ES3E56C-S	\$270	F1	23	1.15	0.50	70.0	11.142	208-230/460	9
		1800	56C	.2518ES3H56C-S	\$270	F1	23	1.15	0.40	70.0	11.142	575	9
0.33	0.25	3600	56C	.3336ES3E56C-S	\$270	F1	22	1.15	0.60	62.0	11.142	208-230/460	9
		3600	56C	.3336ES3H56C-S	\$270	F1	22	1.15	0.50	62.0	11.142	575	9
		1800	56C	.3318ES3E56C-S	\$274	F1	24	1.15	0.60	74.0	11.535	208-230/460	9
0.5	0.37	3600	56C	.5036ES3E56C-S	\$282	F1	24	1.15	0.80	68.0	11.535	208-230/460	9
		3600	56C	.5036ES3H56C-S	\$281	F1	24	1.15	0.70	68.0	11.535	575	9
		1800	56C	.5018ES3E56C-S	\$311	F1	26	1.15	0.90	77.0	11.535	208-230/460	9
		1800	56C	.5018ES3H56C-S	\$263	F1	26	1.15	0.70	77.0	11.535	575	9
		1200	56C	.5012ES3E56C-S	\$440	F1	31	1.15	1.00	72.0	12.323	208-230/460	9
0.75	0.55	3600	56C	.7536ES3E56C-S	\$311	F1	25	1.15	1.10	72.0	11.535	208-230/460	9
		3600	56C	.7536ES3H56C-S	\$310	F1	25	1.15	0.90	72.0	11.535	575	9
		1800	56C	.7518ES3E56C-S	\$332	F1	28	1.15	1.20	78.5	11.929	208-230/460	9
		1800	56C	.7518ES3H56C-S	\$333	F1	28	1.15	1.00	78.5	11.929	575	9
		1200	56HC	.7512ES3E56C-S	\$449	F1	34	1.15	1.30	75.5	12.716	208-230/460	9
1	0.75	3600	W56C	00136ET3EW56C-S	\$420	F1	25	1.15	1.50	78.5	11.106	230/460	9
		3600	W56C	00136ET3HW56C-S	\$420	F1	25	1.15	1.20	78.5	11.106	575	9
		1800	56C	00118ET3E56C-S	\$407	F1	41	1.15	1.50	85.5	13.504	230/460	9
		1800	56C	00118ET3H56C-S	\$407	F1	41	1.15	1.20	85.5	13.504	575	9
		1200	56HC	00112ET3E56C-S	\$525	F1	42	1.15	1.60	82.5	13.504	230/460	9
1.5	1.1	3600	56C	00156ET3E56C-S	\$461	F1	37	1.15	1.90	84.0	13.109	230/460	9
		3600	56C	00156ET3H56C-S	\$461	F1	37	1.15	1.50	84.0	13.109	575	9
		1800	56HC	00158ET3E56C-S	\$463	F1	44	1.15	2.00	86.5	13.504	230/460	9
		1800	56HC	00158ET3H56C-S	\$463	F1	44	1.15	1.60	86.5	13.504	575	9
2	1.5	3600	56HC	00236ET3E56C-S	\$517	F1	44	1.15	2.50	85.5	13.898	230/460	9
		3600	56HC	00236ET3H56C-S	\$517	F1	44	1.15	2.00	85.5	13.898	575	9
		1800	56HC	00218ET3E56C-S	\$506	F1	46	1.15	2.70	86.5	13.898	230/460	9
3	2.2	3600	56HC	00336ET3E56C-S	\$606	F1	54	1.15	3.50	86.5	15.079	230/460	9
		3600	56HC	00336ET3H56C-S	\$606	F1	54	1.15	2.80	86.5	15.079	575	9

Fractional Motors

Please refer to inside back cover for description of "NOTES"

For detailed specifications, data sheets, drawings and performance curves visit <http://www.weg.net>



### TEFC - C-Face - Footless

HP	kW	RPM	Frame	Catalog Number	List Price	Mult. Symbol	Approx. Shipping Weight (lbs)	Service Factor	FL Amps @ High	FL. Eff (%)	"C" Dimension (in)	Voltage (V)	Notes
0.33	0.25	3600	56C	<a href="#">.3336ES3E56CFL-S</a>	\$270	F1	22	1.15	0.60	62.0	11.142	208-230/460	9;20
		3600	56C	<a href="#">.3336ES3H56CFL-S</a>	\$270	F1	22	1.15	0.50	62.0	11.142	575	9;20
		1800	56C	<a href="#">.3318ES3E56CFL-S</a>	\$274	F1	24	1.15	0.60	74.0	11.535	208-230/460	9;20
0.5	0.37	3600	56C	<a href="#">.5036ES3E56CFL-S</a>	\$282	F1	24	1.15	0.80	68.0	11.535	208-230/460	9;20
		1800	56C	<a href="#">.5018ES3E56CFL-S</a>	\$311	F1	26	1.15	0.90	77.0	11.535	208-230/460	9;20
		1800	56C	<a href="#">.5018ES3H56CFL-S</a>	\$312	F1	26	1.15	0.70	77.0	11.535	575	9;20
		1200	56C	<a href="#">.5012ES3E56CFL-S</a>	\$440	F1	31	1.15	1.00	72.0	12.323	208-230/460	9;20
		1200	56C	<a href="#">.5012ES3H56CFL-S</a>	\$441	F1	31	1.15	0.80	72.0	12.323	575	9;20
0.75	0.55	3600	56C	<a href="#">.7536ES3E56CFL-S</a>	\$311	F1	25	1.15	1.10	72.0	11.535	208-230/460	9;20
		3600	56C	<a href="#">.7536ES3H56CFL-S</a>	\$312	F1	25	1.15	0.90	72.0	11.535	575	9;20
		1800	56C	<a href="#">.7518ES3E56CFL-S</a>	\$332	F1	28	1.15	1.20	78.5	11.929	208-230/460	9;20
		1800	56C	<a href="#">.7518ES3H56CFL-S</a>	\$333	F1	28	1.15	1.00	78.5	11.929	575	9;20
		1200	56C	<a href="#">.7512ES3E56CFL-S</a>	\$449	F1	34	1.15	1.30	75.5	12.716	208-230/460	9;20
		1200	56C	<a href="#">.7512ES3H56CFL-S</a>	\$450	F1	34	1.15	1.10	75.5	12.716	575	9;20
1	0.75	3600	W56C	<a href="#">00136ET3EW56CFL-S</a>	\$420	F1	25	1.15	1.50	78.5	11.106	230/460	9;20
		1800	56C	<a href="#">00118ET3E56CFL-S</a>	\$407	F1	41	1.15	1.50	85.5	13.504	230/460	9;20
		1800	56C	<a href="#">00118ET3H56CFL-S</a>	\$407	F1	41	1.15	1.20	85.5	13.504	575	9;20
		1200	56C	<a href="#">00112ET3E56CFL-S</a>	\$528	F1	42	1.15	1.60	82.5	13.504	230/460	9;20
		1200	56C	<a href="#">00112ET3H56CFL-S</a>	\$528	F1	42	1.15	1.30	82.5	13.504	575	9;20
1.5	1.1	3600	56C	<a href="#">00156ET3E56CFL-S</a>	\$461	F1	37	1.15	1.90	84.0	13.109	230/460	9;20
		1800	56C	<a href="#">00158ET3E56CFL-S</a>	\$463	F1	44	1.15	2.00	86.5	13.504	230/460	9;20
2	1.5	3600	56C	<a href="#">00236ET3E56CFL-S</a>	\$517	F1	44	1.15	2.50	85.5	13.898	230/460	9;20
		1800	56C	<a href="#">00218ET3E56CFL-S</a>	\$506	F1	46	1.15	2.70	86.5	13.898	230/460	9;20
3	2.2	3600	56C	<a href="#">00336ET3E56CFL-S</a>	\$606	F1	54	1.15	3.50	86.5	15.079	230/460	9;20
		3600	56C	<a href="#">00336ET3H56CFL-S</a>	\$606	F1	54	1.15	2.80	86.5	15.079	575	9;20

Fractional Motors



### TEFC - Footless Mount - Explosion Proof

HP	kW	RPM	Frame	Catalog Number	List Price	Mult. Symbol	Approx. Shipping Weight (lbs)	Service Factor	FL Amps @ High	FL. Eff (%)	"C" Dimension (in)	Voltage (V)	Notes
0.5	0.37	3600	56J	<a href="#">.5036XS3EJPR56J</a>	\$810	XF	24	1.00	0.9	73.1	12.3	230/460	1;3;9;43;51
0.75	0.55	3600	56J	<a href="#">.7536XS3EJPR56J</a>	\$835	XF	25	1.00	1.2	77.1	12.3	230/460	1;3;9;45
1	0.75	3600	56J	<a href="#">00136XT3EJPR56J</a>	\$1,030	XF	27	1.00	1.6	77	12.43	230/460	1;3;9;47
1.5	1.1	3600	56J	<a href="#">00156XT3EJPR56J</a>	\$1,105	XF	30	1.00	2.1	84	13.3	230/460	1;3;9;49
2	1.5	3600	56J	<a href="#">00236XT3EJPR56J</a>	\$1,153	XF	35	1.00	2.7	85.5	13.3	230/460	1;3;9;51

Please refer to inside back cover for description of "NOTES"

For detailed specifications, data sheets, drawings and performance curves visit [http:// www.weg.net](http://www.weg.net)

Data subject to change without notice.

Can't find what you are looking for? Call 1-800-ASK-4WEG (275-4934)

# Fractional Motors

THREE -PHASE

ODP - Foot Mount



HP	kW	RPM	Frame	Catalog Number	List Price	Mult. Symbol	Approx. Shipping Weight (lbs)	Service Factor	FL Amps @ High	FL. Eff (%)	"C" Dimension (in)	Voltage (V)	Notes
0.25	0.18	3600	56	<a href="#">.25360T3E56-S</a>	<b>\$231</b>	F2B	19	1.35	0.46	65.6	10.315	230/460	9
		1800	48	<a href="#">.25180T3E48-S</a>	<b>\$235</b>	F2B	18	1.35	0.48	70.0	9.492	230/460	9
		1800	56	<a href="#">.25180T3E56-S</a>	<b>\$235</b>	F2B	19	1.35	0.53	69.5	9.921	230/460	9
		1200	56	<a href="#">.25120T3E56-S</a>	<b>\$288</b>	F2B	21	1.35	0.55	67.5	10.315	230/460	9
0.33	0.25	3600	56	<a href="#">.33360T3E56-S</a>	<b>\$242</b>	F2B	19	1.35	0.61	69.5	10.315	230/460	9
		1800	56	<a href="#">.33180T3E56-S</a>	<b>\$256</b>	F2B	20	1.35	0.67	73.4	10.315	230/460	9
		1800	56	<a href="#">.33180T3H56-S</a>	<b>\$269</b>	F2B	20	1.35	0.54	73.4	10.315	575	9
		1200	56	<a href="#">.33120T3E56-S</a>	<b>\$333</b>	F2B	22	1.35	0.70	71.4	10.315	230/460	9
0.5	0.37	3600	56	<a href="#">.50360T3E56-S</a>	<b>\$258</b>	F2B	20	1.25	0.81	73.4	10.315	230/460	9
		1800	56	<a href="#">.50180T3E56-S</a>	<b>\$296</b>	F2B	24	1.25	0.86	78.2	10.709	230/460	9
		1800	56	<a href="#">.50180T3H56-S</a>	<b>\$311</b>	F2B	24	1.25	0.69	78.2	10.709	575	9
		1200	56	<a href="#">.50120T3E56-S</a>	<b>\$349</b>	F2B	25	1.25	0.93	75.3	10.709	230/460	9
0.75	0.55	3600	56	<a href="#">.75360T3E56-S</a>	<b>\$305</b>	F2B	22	1.25	1.14	76.8	10.709	230/460	9
		1800	56	<a href="#">.75180T3E56-S</a>	<b>\$330</b>	F2B	27	1.25	1.15	81.1	11.102	230/460	9
		1800	56	<a href="#">.75180T3H56-S</a>	<b>\$347</b>	F2B	27	1.25	0.92	81.1	11.102	575	9
		1200	56H	<a href="#">.75120T3E56-S</a>	<b>\$384</b>	F2B	38	1.15	1.26	81.7	12.677	230/460	9
1	0.75	3600	56	<a href="#">001360T3E56-S</a>	<b>\$355</b>	F2B	23	1.25	1.51	77.0	10.709	230/460	9
		1800	56	<a href="#">001180T3E56-S</a>	<b>\$350</b>	F2B	30	1.15	1.57	83.5	11.495	230/460	9
		1200	56H	<a href="#">001120T3E56-S</a>	<b>\$458</b>	F2B	42	1.15	1.68	82.5	13.070	230/460	9
1.5	1.1	3600	56	<a href="#">001560T3E56-S</a>	<b>\$380</b>	F2B	30	1.15	1.85	84.0	11.889	230/460	9
		1800	56H	<a href="#">001580T3E56-S</a>	<b>\$361</b>	F2B	40	1.15	2.10	86.5	12.677	230/460	9
2	1.5	3600	56H	<a href="#">002360T3E56-S</a>	<b>\$436</b>	F2B	38	1.15	2.42	85.5	12.677	230/460	9
		1800	56H	<a href="#">002180T3E56-S</a>	<b>\$371</b>	F2B	40	1.15	2.69	86.5	12.677	230/460	9
3	2.2	3600	56H	<a href="#">003360T3E56-S</a>	<b>\$485</b>	F2B	42	1.15	3.59	85.5	13.070	230/460	9
		1800	56HZ	<a href="#">003180T3E56Z-S</a>	<b>\$481</b>	F2B	48	1.15	3.97	86.9	13.071	230/460	9

Fractional Motors

Please refer to inside back cover for description of "NOTES"

For detailed specifications, data sheets, drawings and performance curves visit <http://www.weg.net>



### ODP - C-Face - Foot Mount

HP	kW	RPM	Frame	Catalog Number	List Price	Mult. Symbol	Approx. Shipping Weight (lbs)	Service Factor	FL Amps @ High	FL. Eff (%)	"C" Dimension (in)	Voltage (V)	Notes
0.25	0.18	3600	56C	<a href="#">.25360T3E56C-S</a>	<b>\$259</b>	F2B	19	1.35	0.46	65.6	10.315	230/460	9
		1800	56C	<a href="#">.25180T3E56C-S</a>	<b>\$263</b>	F2B	19	1.35	0.53	69.5	9.921	230/460	9
		1200	56C	<a href="#">.25120T3E56C-S</a>	<b>\$316</b>	F2B	21	1.35	0.55	67.5	10.315	230/460	9;51
0.33	0.25	3600	56C	<a href="#">.33360T3E56C-S</a>	<b>\$270</b>	F2B	19	1.35	0.61	69.5	10.315	230/460	9
		1800	56C	<a href="#">.33180T3E56C-S</a>	<b>\$284</b>	F2B	20	1.35	0.67	73.4	10.315	230/460	9
		1200	56C	<a href="#">.33120T3E56C-S</a>	<b>\$361</b>	F2B	22	1.35	0.70	71.4	10.315	230/460	9
0.5	0.37	3600	56C	<a href="#">.50360T3E56C-S</a>	<b>\$286</b>	F2B	20	1.25	0.81	73.4	10.315	230/460	9
		1800	56C	<a href="#">.50180T3E56C-S</a>	<b>\$324</b>	F2B	24	1.25	0.86	78.2	10.709	230/460	9
		1200	56C	<a href="#">.50120T3E56C-S</a>	<b>\$377</b>	F2B	25	1.25	0.93	75.3	10.709	230/460	9
0.75	0.55	3600	56C	<a href="#">.75360T3E56C-S</a>	<b>\$333</b>	F2B	22	1.25	1.14	76.8	10.709	230/460	9
		1800	56C	<a href="#">.75180T3E56C-S</a>	<b>\$358</b>	F2B	27	1.25	1.15	81.1	11.102	230/460	9
		1800	56C	<a href="#">.75180T3H56C-S</a>	<b>\$358</b>	F2B	27	1.25	0.92	81.1	11.102	575	9
		1200	56HC	<a href="#">.75120T3E56C-S</a>	<b>\$412</b>	F2B	38	1.15	1.26	81.7	12.677	230/460	9
1	0.75	3600	56C	<a href="#">001360T3E56C-S</a>	<b>\$383</b>	F2B	23	1.25	1.51	77.0	10.709	230/460	9
		1800	56C	<a href="#">001180T3E56C-S</a>	<b>\$378</b>	F2B	30	1.15	1.57	83.5	11.495	230/460	9
		1200	56HC	<a href="#">001120T3E56C-S</a>	<b>\$486</b>	F2B	42	1.15	1.68	82.5	13.070	230/460	9
1.5	1.1	3600	56C	<a href="#">001560T3E56C-S</a>	<b>\$408</b>	F2B	30	1.15	1.85	84.0	11.889	230/460	9
		1800	56HC	<a href="#">001580T3E56C-S</a>	<b>\$389</b>	F2B	40	1.15	2.10	86.5	12.677	230/460	9
2	1.5	3600	56HC	<a href="#">002360T3E56C-S</a>	<b>\$464</b>	F2B	38	1.15	2.42	85.5	12.677	230/460	9
		1800	56HC	<a href="#">002180T3E56C-S</a>	<b>\$399</b>	F2B	40	1.15	2.69	86.5	12.677	230/460	9
3	2.2	3600	56HC	<a href="#">003360T3E56C-S</a>	<b>\$513</b>	F2B	42	1.15	3.59	85.5	13.070	230/460	9

Please refer to inside back cover for description of "NOTES"

For detailed specifications, data sheets, drawings and performance curves visit [http:// www.weg.net](http://www.weg.net)

Data subject to change without notice.

Can't find what you are looking for? Call 1-800-ASK-4WEG (275-4934)

**A-171**

# Fractional Motors



THREE -PHASE



## ODP - C-Face - Footless

HP	kW	RPM	Frame	Catalog Number	List Price	Mult. Symbol	Approx. Shipping Weight (lbs)	Service Factor	FL Amps @ High	FL. Eff (%)	"C" Dimension (in)	Voltage (V)	Notes
0.25	0.18	1800	56C	<a href="#">.25180T3E56CFL-S</a>	<b>\$263</b>	F2B	19	1.35	0.53	66.0	9.921	230/460	9;20
		1800	56C	<a href="#">.25180T3H56CFL-S</a>	<b>\$263</b>	F2B	19	1.35	0.42	69.5	9.921	575	9;20
0.33	0.25	3600	56C	<a href="#">.33360T3E56CFL-S</a>	<b>\$270</b>	F2B	19	1.35	0.61	69.5	10.315	230/460	9;20
		1800	56C	<a href="#">.33180T3E56CFL-S</a>	<b>\$284</b>	F2B	20	1.35	0.67	73.4	10.315	230/460	9;20
		1800	56C	<a href="#">.33180T3H56CFL-S</a>	<b>\$284</b>	F2B	20	1.35	0.54	73.4	10.315	575	9;20
0.5	0.37	3600	56C	<a href="#">.50360T3E56CFL-S</a>	<b>\$286</b>	F2B	20	1.25	0.81	73.4	10.315	230/460	9;20
		1800	56C	<a href="#">.50180T3E56CFL-S</a>	<b>\$324</b>	F2B	24	1.25	0.86	78.2	10.709	230/460	9;20
		1800	56C	<a href="#">.50180T3H56CFL-S</a>	<b>\$324</b>	F2B	24	1.25	0.69	78.2	10.709	575	9;20
0.75	0.55	3600	56C	<a href="#">.75360T3E56CFL-S</a>	<b>\$333</b>	F2B	22	1.25	1.14	76.8	10.709	230/460	9;20
		1800	56C	<a href="#">.75180T3E56CFL-S</a>	<b>\$358</b>	F2B	27	1.25	1.15	81.1	11.102	230/460	9;20
		1800	56C	<a href="#">.75180T3H56CFL-S</a>	<b>\$358</b>	F2B	27	1.25	0.92	81.1	11.102	575	9;20
1	0.75	3600	56C	<a href="#">001360T3E56CFL-S</a>	<b>\$383</b>	F2B	23	1.25	1.51	77.0	10.709	230/460	9;20
		1800	56C	<a href="#">001180T3E56CFL-S</a>	<b>\$378</b>	F2B	30	1.15	1.57	83.5	11.495	230/460	9;20
		1800	56C	<a href="#">001180T3H56CFL-S</a>	<b>\$378</b>	F2B	30	1.15	1.26	83.5	11.495	575	9;20
1.5	1.1	3600	56C	<a href="#">001560T3E56CFL-S</a>	<b>\$408</b>	F2B	30	1.15	1.85	84.0	11.889	230/460	9;20
		1800	56C	<a href="#">001580T3E56CFL-S</a>	<b>\$389</b>	F2B	40	1.15	2.10	86.5	12.677	230/460	9;20
		1800	56C	<a href="#">001580T3H56CFL-S</a>	<b>\$389</b>	F2B	40	1.15	1.68	86.5	12.677	575	9;20
2	1.5	3600	56C	<a href="#">002360T3E56CFL-S</a>	<b>\$464</b>	F2B	38	1.15	2.42	85.5	12.677	230/460	9;20
		1800	56C	<a href="#">002180T3E56CFL-S</a>	<b>\$399</b>	F2B	40	1.15	2.69	86.5	12.677	230/460	9;20
		1800	56C	<a href="#">002180T3H56CFL-S</a>	<b>\$399</b>	F2B	40	1.15	2.15	86.5	12.677	575	9;20
3	2.2	3600	56C	<a href="#">003360T3E56CFL-S</a>	<b>\$513</b>	F2B	42	1.15	3.59	85.5	13.070	230/460	9;20



## ODP - Three-Phase - Resilient Base

HP	kW	RPM	Frame	Catalog Number	List Price	Mult. Symbol	Approx. Shipping Weight (lbs)	Service Factor	FL Amps @ High	FL. Eff (%)	"C" Dimension (in)	Voltage (V)	Notes
0.33	0.25	1800	56	<a href="#">.33180T3ERB56-S</a>	<b>\$314</b>	F2B	22	1.35	0.67	73.4	10.827	230/460	9;13
0.5	0.37	1800	56	<a href="#">.50180T3ERB56-S</a>	<b>\$354</b>	F2B	25	1.25	0.86	78.2	11.220	230/460	9;13
0.75	0.55	1800	56	<a href="#">.75180T3ERB56-S</a>	<b>\$388</b>	F2B	28	1.25	1.15	81.1	11.614	230/460	9;13
1	0.75	1800	56	<a href="#">001180T3ERB56-S</a>	<b>\$408</b>	F2B	31	1.15	1.57	83.5	12.008	230/460	9;13
1.5	1.1	1800	56H	<a href="#">001580T3ERB56-S</a>	<b>\$419</b>	F2B	42	1.15	2.10	86.5	13.189	230/460	9;13

Please refer to inside back cover for description of "NOTES"

For detailed specifications, data sheets, drawings and performance curves visit <http://www.weg.net>



## DC MOTORS

### NEMA 56 PMDC Motors

- UL recognized; Also CE and RoHs listed
- Replaceable brushes
- ¼ HP thru ½ HP ratings have a 4.45" frame/tube OD
- ¾ HP and 1.0 HP ratings have a 4.85" frame/tube OD
- Optional Low Voltage (12V or 24V), or TENV Enclosed



Catalog Number	HP	Voltage	Current	Speed	INSUL	Torque	L Max	List Price	Mult. Symbol
			(Amp)	(RPM)	Class	(In/lbs)	(inches)		
MT-031	0.25	90	2.9	1750	F	9	9.63	\$516	DC1
MT-041	0.25	180	1.39	1750	F	9	9.63	\$516	DC1
MT-033	0.33	90	3.7	1750	F	12	9.63	\$563	DC1
MT-042	0.33	180	1.85	1750	F	12	9.63	\$563	DC1
MT-032	0.5	90	5.3	1750	F	18	10.24	\$644	DC1
MT-043	0.5	180	2.78	1750	F	18	10.24	\$644	DC1
MT-035	0.75	90	7.8	1750	F	27	11.67	\$791	DC1
MT-044	0.75	180	3.9	1750	F	27	11.67	\$791	DC1
MT-034	1	90	10.4	1750	F	36	13.05	\$930	DC1
MT-037	1	180	5.2	1750	F	36	13.05	\$930	DC1

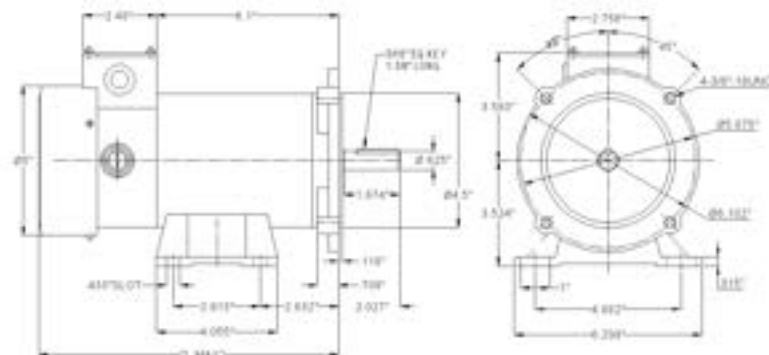
### NEMA 145TC PMDC Motors

- Optional 90V ratings for both 1.5 HP and 2.0 HP ratings

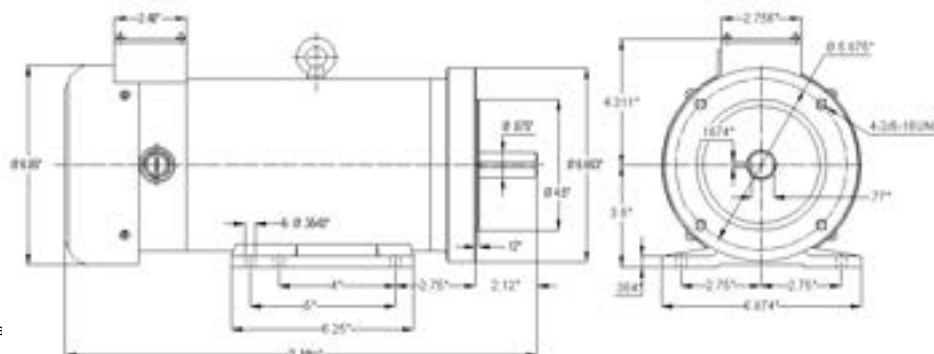
Catalog Number	HP	Voltage	Current	Speed	INSUL	Torque	L Max	List Price	Mult. Symbol
			(Amp)	(RPM)	Class	(In/lbs)	(inches)		
MT-038	1.5	180	8	1750	F	54	15.6	\$1,151	DC1
MT-039	2	180	9.5	1750	F	72	16.5	\$2,093	DC1
MT-040	3	180	14	1750	F	108	18.7	\$2,930	DC1

Fractional Motors

NEMA 56 Dimensions



NEMA 145TC Dimensions



Please For

## Fractional Explosion Proof Motors



UL File E312535

### Features:

- Class F insulation
- 1.0 service factor
- Foot mount motors with and without C-flange
- Class I, Division 1 – Group C & D and Class II, Division 1 – Group E, F & G – T3B
- Thermally Protected
- 24" long leads for remote wiring
- Aluminum endshields
- Not rated for VFD

### Features that make a difference:

- 50°C ambient temperature rating
- Three-Phase motors also rated for 50Hz
- Unassembled aluminum conduit box included

Please contact your authorized WEG distributor or go to [weg.net](http://www.weg.net) for further information or additional specifications. **1-800-ASK-4WEG**



Please refer to inside back cover for description of "NOTES"

For detailed specifications, data sheets, drawings and performance curves visit <http://www.weg.net>

## EXPLOSION PROOF SINGLE PHASE



### Foot Mount

HP	kW	RPM	Frame	Catalog Number	List Price	Mult. Symbol	Approx. Shipping Weight (lbs)	Service Factor	FL Amps @ High	FL. Eff (%)	"C" Dimension (in)	Voltage (V)	Notes
0.33	0.25	3600	56	.3336XS1B56	\$612	XF	23	1.00	2.60	59.7	11.790	115/208-230	1;3;9;42
		1800	56	.3318XS1B56	\$670	XF	25	1.00	3.00	60.4	11.790	115/208-230	1;3;9;42
0.5	0.37	3600	56	.5036XS1B56	\$636	XF	26	1.00	3.40	66.7	12.040	115/208-230	1;3;9;42
		1800	56	.5018XS1B56	\$739	XF	27	1.00	4.20	62.4	12.290	115/208-230	1;3;9;42
0.75	0.55	3600	56	.7536XS1B56	\$717	XF	30	1.00	4.30	74.5	12.540	115/208-230	1;3;9;42
		1800	56	.7518XS1B56	\$868	XF	34	1.00	4.52	70.8	13.040	115/208-230	1;3;9;42
1	0.75	3600	56	00136XS1B56	\$774	XF	32	1.00	5.30	76.5	13.040	115/208-230	1;3;9;42
		1800	56	00118XS1B56	\$988	XF	37	1.00	6.30	74.8	13.790	115/208-230	1;3;9;42
1.5	1.1	3600	56	00156XS1C56	\$1,121	XF	38	1.00	7.80	80.0	14.040	208-230	1;3;9;42
		1800	56H	00158XS1C56H	\$1,324	XF	48	1.00	7.80	80.0	15.420	208-230	1;3;9;42
2	1.5	3600	56H	00236XS1C56H	\$1,408	XF	43	1.00	9.80	81.1	14.540	208-230	1;3;9;42



### C-Face - Foot Mount

HP	kW	RPM	Frame	Catalog Number	List Price	Mult. Symbol	Approx. Shipping Weight (lbs)	Service Factor	FL Amps @ High	FL. Eff (%)	"C" Dimension (in)	Voltage (V)	Notes
0.33	0.25	3600	56C	.3336XS1B56C	\$737	XF	23	1.00	2.60	59.7	11.790	115/208-230	1;3;9;42
		1800	56C	.3318XS1B56C	\$816	XF	25	1.00	3.00	60.4	11.790	115/208-230	1;3;9;42
0.5	0.37	3600	56C	.5036XS1B56C	\$717	XF	26	1.00	3.40	66.7	12.040	115/208-230	1;3;9;42
		1800	56C	.5018XS1B56C	\$817	XF	27	1.00	4.20	62.4	12.290	115/208-230	1;3;9;42
0.75	0.55	3600	56C	.7536XS1B56C	\$773	XF	30	1.00	4.30	74.5	12.540	115/208-230	1;3;9;42
		1800	56C	.7518XS1B56C	\$912	XF	34	1.00	4.52	70.8	13.040	115/208-230	1;3;9;42
1	0.75	3600	56C	00136XS1B56C	\$814	XF	32	1.00	5.30	76.5	13.040	115/208-230	1;3;9;42
		1800	56C	00118XS1B56C	\$1,036	XF	37	1.00	6.30	74.8	13.790	115/208-230	1;3;9;42
1.5	1.1	3600	56C	00156XS1C56C	\$1,274	XF	38	1.00	7.80	80.0	14.040	208-230	1;3;9;42
		1800	56HC	00158XS1C56HC	\$1,420	XF	48	1.00	7.80	80.0	15.420	208-230	1;3;9;42
2	1.5	3600	56HC	00236XS1C56HC	\$1,457	XF	43	1.00	9.80	81.1	14.540	208-230	1;3;9;42

Please refer to inside back cover for description of "NOTES"

For detailed specifications, data sheets, drawings and performance curves visit <http://www.weg.net>

Data subject to change without notice.

Can't find what you are looking for? Call 1-800-ASK-4WEG (275-4934)

# Fractional Motors



EXPLOSION PROOF - THREE-PH/



## Foot Mount

HP	kW	RPM	Frame	Catalog Number	List Price	Mult. Symbol	Approx. Shipping Weight (lbs)	Service Factor	FL Amps @ High	FL. Eff (%)	"C" Dimension (in)	Voltage (V)	Notes
0.33	0.25	3600	56	.3336XS3E56	\$650	XF	21	1.00	0.60	69.8	10.520	230/460	1;3;9;42
		1800	56	.3318XS3E56	\$713	XF	23	1.00	0.60	76.7	10.520	230/460	1;3;9;17;42
0.5	0.37	3600	56	.5036XS3E56	\$782	XF	24	1.00	0.90	73.1	11.790	230/460	1;3;9;42
		1800	56	.5018XS3E56	\$741	XF	27	1.00	0.85	79.1	11.920	230/460	1;3;9;42
0.75	0.55	3600	56	.7536XS3E56	\$815	XF	25	1.00	1.20	77.1	11.790	230/460	1;3;9;42
		1800	56	.7518XS3E56	\$817	XF	28	1.00	1.40	78.6	12.290	230/460	1;3;9;42
1	0.75	3600	56	00136XT3E56	\$858	XF	27	1.00	1.60	77.0	11.920	230/460	1;3;9;42
		1800	56	00118XT3E56	\$922	XF	31	1.00	1.60	85.5	13.660	230/460	1;3;9;42
1.5	1.1	3600	56	00156XT3E56	\$1,050	XF	30	1.00	2.10	84.0	12.780	230/460	1;3;9;42
		1800	56H	00158XT3E56H	\$1,003	XF	41	1.00	2.10	86.5	14.540	230/460	1;3;9;42
2	1.5	3600	56H	00236XT3E56H	\$1,171	XF	35	1.00	2.70	85.5	14.040	230/460	1;3;9;42
		1800	56H	00218XT3E56H	\$1,090	XF	48	1.00	2.70	86.5	15.040	230/460	1;3;9;42



## C-Face - Foot Mount

HP	kW	RPM	Frame	Catalog Number	List Price	Mult. Symbol	Approx. Shipping Weight (lbs)	Service Factor	FL Amps @ High	FL. Eff (%)	"C" Dimension (in)	Voltage (V)	Notes
0.33	0.25	3600	56C	.3336XS3E56C	\$821	XF	21	1.00	0.60	69.8	10.520	208-230/460	1;3;9;42
		1800	56C	.3318XS3E56C	\$877	XF	23	1.00	0.60	76.7	10.520	208-230/460	1;3;9;17;42
0.5	0.37	3600	56C	.5036XS3E56C	\$856	XF	24	1.00	0.90	73.1	11.790	208-230/460	1;3;9;42
		1800	56C	.5018XS3E56C	\$926	XF	27	1.00	0.85	79.1	11.920	208-230/460	1;3;9;42
0.75	0.55	3600	56C	.7536XS3E56C	\$884	XF	25	1.00	1.20	77.1	11.790	208-230/460	1;3;9;42
		1800	56C	.7518XS3E56C	\$944	XF	28	1.00	1.40	78.6	12.290	208-230/460	1;3;9;42
1	0.75	3600	56C	00136XT3E56C	\$924	XF	27	1.00	1.60	77.0	11.920	230/460	1;3;9;42
		1800	56C	00118XT3E56C	\$1,007	XF	31	1.00	1.60	82.2	13.660	230/460	1;3;9;42
1.5	1.1	3600	56C	00156XT3E56C	\$1,038	XF	30	1.00	2.10	84.0	12.780	230/460	1;3;9;42
		1800	56HC	00158XT3E56HC	\$1,011	XF	41	1.00	2.10	86.5	14.540	230/460	1;3;9;42
2	1.5	3600	56HC	00236XT3E56HC	\$1,125	XF	35	1.00	2.70	85.5	14.040	230/460	1;3;9;42
		1800	56HC	00218XT3E56HC	\$1,162	XF	48	1.00	2.70	86.5	15.040	230/460	1;3;9;42

Fractional Motors

Please refer to inside back cover for description of "NOTES"

For detailed specifications, data sheets, drawings and performance curves visit <http://www.weg.net>

## COMMERCIAL HVAC MOTORS

TEFC – Single-Phase – Foot Mount	A-179
TEAO – Single-Phase – Resilient Base	A-179
TEAO – Single-Phase – Foot Mount	A-179
ODP – Single-Phase – Foot Mount	A-180
ODP – Single-Phase – Resilient Base	A-181
ODP – Three-Phase – Resilient Base	A-182
ODP – Single-Phase – Evaporative Cooler	A-182

## HVAC MOTORS - WITH INTERNAL AEGIS® SGR

TEFC – Three-Phase – Foot Mount	A-183
ODP – Three-Phase – Foot Mount	A-187

## COOLING TOWER MOTORS – THREE-PHASE

TEFC – Three-Phase – Foot Mount – NEMA Premium®	A-191
TEAO – Three-Phase – Foot Mount – NEMA Premium®	A-194
TEFC – Three-Phase – Double Speed (1 & 2 Windings) – High Efficiency	A-195

## PAD MOUNT MOTORS – Three-Phase

TEAO – NEMA Premium®	A-200
----------------------	-------

# Air Handling Motors

## COMMERCIAL HVAC MOTORS

### TEFC and ODP – Single Phase

High Starting Torque makes these motors ideal for a wide range of applications.

#### Standard Features:

- Ball bearings
- Class F insulation



#### Features that make a difference:

- High Starting Torque
- TEFC motors are rated IP55 (gasketed conduit box and capacitor cover)



### TEFC and ODP – Three Phase

#### Features that make a difference:

- New ventilation system for improved thermal performance
- Robust feet design suitable for tougher applications
- New and more robust eyebolts design (frames 182/4T and up) plus a second eyebolt on non-drive end allowing vertical lifting capability (frames 213/5T and 254/6T)
- Oversized diagonally split aluminum terminal box that exceeds IP55 requirements
- Terminal box rotatable in 90 degree increments for flexibility during installation
- Color coded leads as standard for easy wiring - (rolled steel only)
- Regreasable ball bearings on 254/6T frame as standard (optional for 182/4T and 213/5T)
- IP55 Ingress Protection as standard, being appropriate for severe environments - (TEFC only)
- Bearing cap as standard on flanged motors, optional on non flanged
- Suitable for VFD operation as per NEMA MG1 part 31.4.4.2
- Motor frame painting system 500 hours salt spray resistant



Please refer to inside back cover for description of "NOTES"

For detailed specifications, data sheets, drawings and performance curves visit <http://www.weg.net>



### TEFC - Single-Phase - Foot Mount

HP	kW	RPM	Frame	Catalog Number	List Price	Mult. Symbol	Approx. Shipping Weight (lbs)	Service Factor	FL Amps @ High	FL Eff (%)	"C" Dimension (in)	Voltage (V)	Notes
0.25	0.18	3600	W56	.2536ES1BW56-S	\$257	F1	20	1.15	2.10	50.0	10.713	115/208-230	9
		1800	W56	.2518ES1BW56-S	\$267	F1	20	1.15	2.30	57.0	11.106	115/208-230	9
0.33	0.25	3600	W56	.3336ES1BW56-S	\$267	F1	23	1.15	2.60	54.0	11.106	115/208-230	9
		1800	W56	.3318ES1BW56-S	\$283	F1	22	1.15	3.00	61.0	11.500	115/208-230	9
0.5	0.37	3600	W56	.5036ES1BW56-S	\$284	F1	24	1.15	3.50	60.0	11.500	115/208-230	9
		3600	W56	.5036ES1BOLW56-S	\$316	F1	24	1.15	3.50	60.0	11.500	115/208-230	4;9
		1800	W56	.5018ES1BW56-S	\$312	F1	24	1.15	4.00	64.0	11.894	115/208-230	9
		1200	W56	.5012ES1B56-S	\$512	F1	38	1.15	3.20	71.0	13.508	115/208-230	9
0.75	0.55	3600	56	.7536ES1BOL56-S	\$329	F1	31	1.15	4.00	66.0	12.721	115/208-230	4;9
		3600	56	.7536ES1B56-S	\$297	F1	31	1.15	4.00	66.0	12.721	115/208-230	9
		1800	56	.7518ES1B56-S	\$348	F1	33	1.15	5.30	68.5	13.114	115/208-230	9
		1200	56H	.7512ES1B56-S	\$648	F1	44	1.15	4.70	70.0	14.295	115/208-230	9
1	0.75	3600	56	00136ES1BOL56-S	\$408	F1	35	1.15	5.10	70.0	13.114	115/208-230	4;9
		3600	56	00136ES1B56-S	\$376	F1	34	1.15	5.10	70.0	13.114	115/208-230	9
		1800	56	00118ES1B56-S	\$401	F1	39	1.15	6.80	71.0	13.902	115/208-230	9
1.5	1.1	3600	56	00156ES1B56-S	\$432	F1	39	1.15	6.60	75.0	13.902	115/208-230	9
		3600	56	00156ES1BOL56-S	\$463	F1	39	1.15	6.60	75.0	13.902	115/208-230	4;9
		1800	56H	00158ES1B56-S	\$456	F1	40	1.15	7.50	77.0	15.083	115/208-230	9
2	1.5	3600	56H	00236ES1BOL56-S	\$592	F1	44	1.15	8.70	77.0	14.295	115/208-230	4;9
		3600	56H	00236ES1B56-S	\$561	F1	44	1.15	8.70	77.0	14.295	115/208-230	9



### TEAO – Single-Phase – Foot Mount

HP	kW	RPM	Frame	Catalog Number	List Price	Mult. Symbol	Approx. Shipping Weight (lbs)	Service Factor	FL Amps @ High	FL Eff (%)	"C" Dimension (in)	Voltage (V)	Notes
0.33	0.25	1800	48	.3318AS1BPF48-S	\$311	G1	22	1.25	2.76	61.5	10.157	115/208-230	3;9;16
0.5	0.37	1800	W56	.5018AS1BPFW56-S	\$336	G1	27	1.25	4.20	65.0	11.102	115/208-230	3;9;16
0.75	0.55	1800	56	.7518AS1BPF56-S	\$385	G1	26	1.25	5.30	68.5	11.496	115/208-230	3;9
1	0.75	1800	56	00118AS1BPF56-S	\$410	G1	35	1.15	7.00	72.0	12.992	115/208-230	3;9
	0.75	1800	56	00118AS1BPFH56-S	\$445	G1	32	1.40	6.20	73.0	13.464	115/208-230	3;9
1.5	1.10	1800	56	00158AS1BPF56-S	\$458	G1	33	1.15	7.48	77.0	13.464	115/208-230	3;9
	1.10	1800	56	00158AS1BPFH56-S	\$484	G1	34	1.30	8.74	76.0	13.858	115/208-230	3;9
2	1.5	1800	143/5T	00218AS1BPF145T-S	\$548	G1	54	1.15	10.0	78.5%	14.516	115/208-230	3;9

Air Handling Motors



### TEAO – Single-Phase – Resilient Base

HP	kW	RPM	Frame	Catalog Number	List Price	Mult. Symbol	Approx. Shipping Weight (lbs)	Service Factor	FL Amps @ High	FL Eff (%)	"C" Dimension (in)	Voltage (V)	Notes
0.33	0.25	1800	48	.3318AS1BRBPF48-S	\$325	G1	20	1.25	2.76	61.5	10.157	115/208-230	3;9;16
0.5	0.37	1800	W56	.5018AS1BRBPFW56-S	\$350	G1	21	1.25	3.48	66.0	11.318	115/208-230	3;9;16
0.75	0.55	1800	56	.7518AS1BRBPF56-S	\$400	G1	26	1.25	5.63	68.5	12.008	115/208-230	3;9
1	0.75	1800	56	00118AS1BRBPF56-S	\$435	G1	35	1.15	7.00	72.0	12.992	115/208-230	3;9
1.5	1.10	1800	56	00158AS1BRBPF56-S	\$477	G1	35	1.15	7.48	77	13.976	115/208-230	3;9

Please refer to inside back cover for description of "NOTES"

For detailed specifications, data sheets, drawings and performance curves visit <http://www.weg.net>

Data subject to change without notice.

Can't find what you are looking for? Call 1-800-ASK-4WEG (275-4934)

# Air Handling Motors



## COMMERCIAL HVAC MOTORS

### ODP - Single-Phase - Foot Mount

HP	kW	RPM	Frame	Catalog Number	List Price	Mult. Symbol	Approx. Shipping Weight (lbs)	Service Factor	FL Amps @ High	FL. Eff (%)	"C" Dimension (in)	Voltage (V)	Notes
0.12	0.09	1800	48	.12180S1B48-S	\$201	F1B	18	1.40	1.40	50.0	9.098	115/208-230	9
		3600	48	.16360S1B48-S	\$216	F1B	21	1.35	1.40	53.0	9.098	115/208-230	9
0.16	0.12	1800	48	.16180S1B48-S	\$208	F1B	22	1.35	1.70	53.0	9.098	115/208-230	9
		3600	48	.25360T1B48-S	\$253	F2B	19	1.35	1.30	66.6	9.492	115/208-230	9
0.25	0.18	3600	W56	.25360T1BW56-S	\$253	F2B	19	1.35	1.30	66.6	9.866	115/208-230	9
		1800	48	.25180T1B48-S	\$241	F2B	18	1.35	1.60	68.5	9.492	115/208-230	9
		1800	W56	.25180T1BW56-S	\$241	F2B	19	1.35	1.60	68.5	9.866	115/208-230	9
		3600	48	.33360T1B48-S	\$256	F2B	23	1.35	1.60	70.5	9.886	115/208-230	9
0.33	0.25	3600	W56	.33360T1BW56-S	\$257	F2B	23	1.35	1.60	70.5	10.260	115/208-230	9
		1800	48	.33180T1B48-S	\$275	F2B	20	1.35	2.10	72.4	9.886	115/208-230	9
		1800	W56	.33180T1BW56-S	\$275	F2B	21	1.35	2.10	72.4	10.260	115/208-230	9
		3600	48	.50360T1B48-S	\$276	F2B	23	1.25	2.40	72.4	9.886	115/208-230	9
0.5	0.37	3600	W56	.50360T1BW56-S	\$282	F2B	24	1.25	2.40	72.4	10.260	115/208-230	9
		1800	48	.50180T1B48-S	\$318	F2B	23	1.25	2.80	76.2	10.280	115/208-230	9
		1800	W56	.50180T1BW56-S	\$307	F2B	23	1.25	2.80	76.2	10.654	115/208-230	9
		3600	56	.75360T1B56-S	\$320	F2B	30	1.25	3.40	76.2	11.890	115/208-230	9
0.75	0.55	1800	56	.75180T1B56-S	\$387	F2B	38	1.25	3.40	81.8	11.890	115/208-230	9
		3600	56	.001360T1B56-S	\$347	F2B	35	1.25	4.30	80.4	11.890	115/208-230	9
1	0.75	1800	56	.001180T1B56-S	\$421	F2B	41	1.15	4.50	82.6	12.677	115/208-230	9
		1800	56	.001180T1B056-S	\$438	F2B	41	1.15	4.50	82.6	12.677	115/208-230	3;9
		3600	56	.001560T1B56-S	\$393	F2B	38	1.15	6.20	81.5	12.284	115/208-230	9
1.5	1.1	1800	56H	.001580T1B56-S	\$523	F2B	49	1.15	6.80	83.8	13.071	115/208-230	9
		1800	56H	.001580T1B056-S	\$541	F2B	50	1.15	6.80	83.8	13.465	115/208-230	3;9
		3600	56H	.002360T1B56-S	\$485	F2B	43	1.15	8.40	82.9	12.677	115/208-230	9
2	1.5	1800	56H	.002180T1B56-S	\$626	F2B	54	1.15	9.30	84.5	13.465	115/208-230	9
		3600	56H	.003360T1B56-S	\$568	F2B	52	1.15	12.2	84.1	13.465	115/208-230	9

Air Handling Motors

Please refer to inside back cover for description of "NOTES"

For detailed specifications, data sheets, drawings and performance curves visit <http://www.weg.net>





### ODP - Single-Phase - Resilient Base

HP	kW	RPM	Frame	Catalog Number	List Price	Mult. Symbol	Approx. Shipping Weight (lbs)	Service Factor	FL Amps @ High	FL. Eff (%)	"C" Dimension (in)	Voltage (V)	Notes
0.16	0.12	1800	48Z	<b>.16180S1ASPRB048Z-S</b>	<b>\$272</b>	F1B	21	1.35	3.00	50.5	10.138	115	3;9;13;16
		1800	48Z	<b>.16180S1ASPRB48Z-S</b>	<b>\$260</b>	F1B	21	1.35	3.00	50.5	10.138	115	9;13;16
0.25	0.18	1800	48Z	<b>.25180S1BSPRB048Z-S</b>	<b>\$274</b>	F1B	22	1.35	2.10	55.0	10.138	115/208-230	3;9;13;16
		1800	48Z	<b>.25180S1ASPRB048Z-S</b>	<b>\$274</b>	F1B	22	1.35	4.30	55.0	10.138	115	3;9;13;16
		1800	48Z	<b>.25180S1ASPRB48Z-S</b>	<b>\$262</b>	F1B	22	1.35	4.30	55.0	10.138	115	9;13;16
		1800	W56	<b>.25180S1BRFBOW56-S</b>	<b>\$283</b>	F1B	18	1.35	2.30	57.0	10.138	115/208-230	3;9;13;42
		1800	W56	<b>.25180S1BRFBW56-S</b>	<b>\$271</b>	F1B	18	1.35	2.30	57.0	10.138	115/208-230	9;13;42
0.33	0.25	1800	48Z	<b>.33180S1BSPRB048Z-S</b>	<b>\$284</b>	F1B	24	1.35	2.60	60.8	10.138	115/208-230	3;9;13;16
		1800	48Z	<b>.33180S1BSPRB48Z-S</b>	<b>\$272</b>	F1B	24	1.35	2.60	60.8	10.138	115/208-230	9;13;16
		1800	W56	<b>.33180S1BSPRBOW56-S</b>	<b>\$288</b>	F1B	25	1.35	2.60	62.0	10.138	115/208-230	3;9;13;16
		1800	W56	<b>.33180S1BSPRBW56-S</b>	<b>\$276</b>	F1B	25	1.35	2.60	62.0	10.138	115/208-230	9;13;16
		1800	W56	<b>.33180S1BRFBW56-S</b>	<b>\$281</b>	F1B	20	1.35	3.10	60.0	10.531	115/208-230	9;13;42
		1800	W56	<b>.33180S1BRFBOW56-S</b>	<b>\$293</b>	F1B	20	1.35	3.10	60.0	10.531	115/208-230	3;9;13;42
		1800	W56	<b>.33180T1BRBOW56-S</b>	<b>\$325</b>	F2B	24	1.35	2.10	72.4	10.925	115/208-230	3;9;13
0.5	0.37	1800	48Z	<b>.50180S1BSPRB048Z-S</b>	<b>\$311</b>	F1B	29	1.25	3.70	63.5	10.925	115/208-230	3;9;13;16
		1800	48Z	<b>.50180S1BSPRB48Z-S</b>	<b>\$299</b>	F1B	29	1.25	3.70	63.5	10.925	115/208-230	9;13;16
		1800	W56	<b>.50180S1BRFBOW56-S</b>	<b>\$325</b>	F1B	21	1.25	4.10	63.0	10.925	115/208-230	3;9;13;42
		1800	W56	<b>.50180S1BRFBW56-S</b>	<b>\$313</b>	F1B	21	1.25	4.10	63.0	10.925	115/208-230	9;13;42
		1800	W56	<b>.50180S1BSPRBOW56-S</b>	<b>\$316</b>	F1B	30	1.25	3.70	63.5	10.945	115/208-230	3;9;13;16
		1800	W56	<b>.50180S1BSPRBW56-S</b>	<b>\$304</b>	F1B	30	1.25	3.70	63.5	10.945	115/208-230	9;13;16
		1800	W56	<b>.50180T1BRBOW56-S</b>	<b>\$368</b>	F2B	26	1.25	2.75	76.2	11.319	115/208-230	3;9;13
0.75	0.55	1800	W56	<b>.75180S1BRFBOW56-S</b>	<b>\$379</b>	F1B	23	1.25	5.30	69.0	12.008	115/208-230	3;9;13;42
		1800	W56	<b>.75180S1BRFBW56-S</b>	<b>\$367</b>	F1B	23	1.25	5.30	69.0	12.008	115/208-230	9;13;42
		1800	56	<b>.75180T1BRB056-S</b>	<b>\$434</b>	F2B	38	1.25	3.40	81.8	12.402	115/208-230	3;9;13
1	0.75	1800	W56	<b>001180S1BRFB056-S</b>	<b>\$408</b>	F1B	25	1.15	6.80	71.0	12.402	115/208-230	3;9;13;42
		1800	W56	<b>001180S1BRFBW56-S</b>	<b>\$396</b>	F1B	25	1.15	6.80	71.0	12.402	115/208-230	9;13;42
		1800	56	<b>001180T1BRB056-S</b>	<b>\$468</b>	F2B	43	1.15	4.50	82.6	13.189	115/208-230	3;9;13
1.5	1.1	3600	56	<b>001560T1BRB056-S</b>	<b>\$450</b>	F2B	39	1.15	6.20	81.5	12.795	115/208-230	3;9;13
		1800	56H	<b>001580T1BRB056-S</b>	<b>\$570</b>	F2B	50	1.15	6.80	83.8	13.583	115/208-230	3;9;13
2	1.5	1800	56H	<b>002180T1BRB056H-S</b>	<b>\$616</b>	F2B	57	1.15	9.30	84.5	14.373	115/208-230	3;9;13

Please refer to inside back cover for description of "NOTES"

For detailed specifications, data sheets, drawings and performance curves visit <http://www.weg.net>

Data subject to change without notice.

Can't find what you are looking for? Call 1-800-ASK-4WEG (275-4934)

# Air Handling Motors

COMMERCIAL HVAC MOTORS



## ODP - Three-Phase - Resilient Base

HP	kW	RPM	Frame	Catalog Number	List Price	Mult. Symbol	Approx. Shipping Weight (lbs)	Service Factor	FL Amps @ High	FL. Eff (%)	"C" Dimension (in)	Voltage (V)	Notes
0.33	0.25	1800	56	<a href="#">.33180T3ERB56-S</a>	<b>\$314</b>	F2B	22	1.35	0.67	73.4	10.827	230/460	9;13
0.5	0.37	1800	56	<a href="#">.50180T3ERB56-S</a>	<b>\$354</b>	F2B	25	1.25	0.86	78.2	11.220	230/460	9;13
0.75	0.55	1800	56	<a href="#">.75180T3ERB56-S</a>	<b>\$388</b>	F2B	28	1.25	1.15	81.1	11.614	230/460	9;13
1	0.75	1800	56	<a href="#">001180T3ERB56-S</a>	<b>\$408</b>	F2B	31	1.15	1.57	83.5	12.008	230/460	9;13
1.5	1.1	1800	56H	<a href="#">001580T3ERB56-S</a>	<b>\$419</b>	F2B	42	1.15	2.10	86.5	13.189	230/460	9;13



## ODP - Single-Phase - Evaporative Cooler

HP	kW	RPM	Frame	Catalog Number	List Price	Mult. Symbol	Approx. Shipping Weight (lbs)	Service Factor	FL Amps @ High	FL. Eff (%)	"C" Dimension (in)	Voltage (V)	Notes
0.33	0.25	1800	56	<a href="#">.33180S1AEC56</a>	<b>\$156</b>	F1B	19	1.00	6.60	49.8	9.530	115	1;3;9;16
0.33/0.11	0.25/0.08	1800/1200	56	<a href="#">.33820S1AEC56</a>	<b>\$188</b>	F1B	21	1.00	6.60/3.70	49.8/33.6	9.530	115	1;3;9;16;51
0.5	0.37	1800	56	<a href="#">.50180S1AEC56</a>	<b>\$164</b>	F1B	21	1.00	8.20	58.0	9.530	115	1;3;9;16
		1800	56	<a href="#">.50180S1DEC56</a>	<b>\$166</b>	F1B	21	1.00	4.80	54.0	9.530	240	1;3;9;16
0.5/0.16	0.37/0.12	1800/1200	56	<a href="#">.50820S1AEC56</a>	<b>\$199</b>	F1B	24	1.00	8.20/4.60	58.0/42.4	9.530	115	1;3;9
		1800/1200	56	<a href="#">.50820S1DEC56</a>	<b>\$220</b>	F1B	24	1.00	4.80/2.10	54.0/39.6	9.530	240	1;3;9
0.75	0.55	1800	56	<a href="#">.75180S1AEC56</a>	<b>\$201</b>	F1B	24	1.00	10.40	61.9	9.530	115	1;3;9
		1800	56	<a href="#">.75180S1DEC56</a>	<b>\$201</b>	F1B	28	1.00	5.50	59.2	9.530	240	1;3;9
0.75/0.25	0.55/0.18	1800/1200	56	<a href="#">.75820S1AEC56</a>	<b>\$251</b>	F1B	26	1.00	10.4/5.50	61.9/42.8	9.530	115	1;3;9
		1800/1200	56	<a href="#">.75820S1DEC56</a>	<b>\$267</b>	F1B	27	1.00	5.50/2.60	59.0/47.4	9.530	240	1;3;9
1/0.33	0.75/0.25	1800/1200	56	<a href="#">001820S1AEC56</a>	<b>\$364</b>	F1B	32	1.00	12.1/7.10	65.1/49.1	10.960	115	1;3;9
		1800/1200	56	<a href="#">001820S1DEC56</a>	<b>\$389</b>	F1B	33	1.00	6.45/3.06	66.7/51.1	10.960	240	1;3;9

Air Handling Motors

Please refer to inside back cover for description of "NOTES"

For detailed specifications, data sheets, drawings and performance curves visit <http://www.weg.net>



### TEFC - Three-Phase - Foot Mount and Foot Mount with C-Face

HP	kW	RPM	Frame	Catalog Number	List Price	Mult. Symbol	Approx. Shipping Weight (lbs)	Service Factor	FL Amps @ High	FL. Eff (%)	"C" Dimension (in)	Voltage (V)	Notes
1	0.75	3600	143/5T	<a href="#">00136ET3E143T-SG</a>	<b>\$560</b>	RSP	31	1.15	1.40	78.5	13.189	230/460	9;34
		3600	143/5T	<a href="#">00136ET3H143T-SG</a>	<b>\$560</b>	RSP	31	1.15	1.10	78.5	13.189	575	9;34
		1800	143/5T	<a href="#">00118ET3E143T-SG</a>	<b>\$599</b>	RSP	42	1.15	1.50	85.5	13.583	230/460	9;34
		1800	143/5T	<a href="#">00118ET3H143T-SG</a>	<b>\$599</b>	RSP	42	1.15	1.20	85.5	13.583	575	9;34
		1800	143/5T	<a href="#">00118ET3V143T-SG</a>	<b>\$599</b>	RSP	42	1.15	1.70	85.5	13.583	200/400	9;34
		1200	143/5T	<a href="#">00112ET3E145T-SG</a>	<b>\$669</b>	RSP	43	1.15	1.60	82.5	13.583	230/460	9;34
		1200	143/5T	<a href="#">00112ET3H145T-SG</a>	<b>\$669</b>	RSP	43	1.15	1.30	82.5	13.583	575	9;34
1.5	1.1	3600	143/5T	<a href="#">00156ET3E143T-SG</a>	<b>\$613</b>	RSP	39	1.15	1.90	84.0	13.189	230/460	9;34
		3600	143/5T	<a href="#">00156ET3H143T-SG</a>	<b>\$613</b>	RSP	39	1.15	1.50	84.0	13.189	575	9;34
		1800	143/5T	<a href="#">00158ET3E145T-SG</a>	<b>\$620</b>	RSP	43	1.15	2.00	86.5	13.583	230/460	9;34
		1800	143/5T	<a href="#">00158ET3H145T-SG</a>	<b>\$620</b>	RSP	43	1.15	1.60	86.5	13.583	575	9;34
		1800	143/5T	<a href="#">00158ET3V145T-SG</a>	<b>\$620</b>	RSP	43	1.15	2.30	86.5	13.583	200/400	9;34
		1200	182/4T	<a href="#">00152ET3E182T-SG</a>	<b>\$826</b>	RSP	76	1.15	2.20	87.5	16.339	230/460	9;34
		1200	182/4T	<a href="#">00152ET3H182T-SG</a>	<b>\$826</b>	RSP	76	1.15	1.80	87.5	16.339	575	9;34
2	1.5	3600	143/5T	<a href="#">00236ET3E145T-SG</a>	<b>\$654</b>	RSP	45	1.15	2.50	85.5	13.976	230/460	9;34
		3600	143/5T	<a href="#">00236ET3H145T-SG</a>	<b>\$654</b>	RSP	45	1.15	2.00	85.5	13.976	575	9;34
		1800	143/5T	<a href="#">00218ET3E145T-SG</a>	<b>\$673</b>	RSP	47	1.15	2.70	86.5	13.976	230/460	9;34
		1800	143/5T	<a href="#">00218ET3H145T-SG</a>	<b>\$673</b>	RSP	47	1.15	2.20	86.5	13.976	575	9;34
		1800	143/5T	<a href="#">00218ET3V145T-SG</a>	<b>\$673</b>	RSP	47	1.15	3.10	86.5	13.976	200/400	9;34
		1200	182/4T	<a href="#">00212ET3E184T-SG</a>	<b>\$883</b>	RSP	86	1.15	3.00	88.5	17.126	230/460	9;34
		1200	182/4T	<a href="#">00212ET3H184T-SG</a>	<b>\$883</b>	RSP	86	1.15	2.40	88.5	17.126	575	9;34
3	2.2	3600	182/4T	<a href="#">00336ET3E182T-SG</a>	<b>\$835</b>	RSP	63	1.15	3.70	86.5	15.551	230/460	9;34
		3600	182/4T	<a href="#">00336ET3H182T-SG</a>	<b>\$835</b>	RSP	63	1.15	3.00	86.5	15.551	575	9;34
		1800	182/4T	<a href="#">00318ET3E182T-SG</a>	<b>\$747</b>	RSP	87	1.15	3.80	89.5	17.913	230/460	9;34
		1800	182/4TC	<a href="#">00318ET3E182TC-SG</a>	<b>\$780</b>	RSP	87	1.15	3.80	89.5	17.913	230/460	9;34,51
		1800	182/4T	<a href="#">00318ET3H182T-SG</a>	<b>\$747</b>	RSP	87	1.15	3.00	89.5	17.913	575	9;34
		1800	182/4T	<a href="#">00318ET3V182T-SG</a>	<b>\$747</b>	RSP	87	1.15	4.40	89.5	17.913	200/400	9;34
		1200	213/5T	<a href="#">00312ET3E213T-SG</a>	<b>\$1,183</b>	RSP	134	1.15	4.20	89.5	19.291	230/460	9;34
		1200	213/5T	<a href="#">00312ET3H213T-SG</a>	<b>\$1,183</b>	RSP	134	1.15	3.40	89.5	19.291	575	9;34,51
5	3.7	3600	182/4T	<a href="#">00536ET3E184T-SG</a>	<b>\$930</b>	RSP	85	1.15	5.90	88.5	16.732	230/460	9;34
		3600	182/4TC	<a href="#">00536ET3E184TC-SG</a>	<b>\$963</b>	RSP	98	1.15	5.90	88.5	16.732	230/460	9;34,51
		3600	182/4T	<a href="#">00536ET3H184T-SG</a>	<b>\$930</b>	RSP	85	1.15	4.70	88.5	17.913	575	9;34
		1800	182/4T	<a href="#">00518ET3E184T-SG</a>	<b>\$842</b>	RSP	81	1.15	6.50	89.5	17.913	230/460	9;34
		1800	182/4TC	<a href="#">00518ET3E184TC-SG</a>	<b>\$876</b>	RSP	81	1.15	6.50	89.5	17.913	230/460	9;34,51
		1800	182/4T	<a href="#">00518ET3H184T-SG</a>	<b>\$842</b>	RSP	81	1.15	5.20	89.5	17.913	575	9;34
		1800	182/4T	<a href="#">00518ET3V184T-SG</a>	<b>\$842</b>	RSP	81	1.15	7.50	89.5	17.913	200/400	9;34
		1200	213/5T	<a href="#">00512ET3E215T-SG</a>	<b>\$1,360</b>	RSP	153	1.15	6.70	89.5	20.079	230/460	9;34
		1200	213/5T	<a href="#">00512ET3H215T-SG</a>	<b>\$1,360</b>	RSP	153	1.15	5.40	89.5	20.079	575	9;34

continued on next page

Air Handling  
Air Handling  
Motors

Please refer to inside back cover for description of "NOTES"

For detailed specifications, data sheets, drawings and performance curves visit <http://www.weg.net>

Data subject to change without notice.

Can't find what you are looking for? Call 1-800-ASK-4WEG (275-4934)

### TEFC - Three-Phase - Foot Mount and Foot Mount with C-Face - *continued*

HP	kW	RPM	Frame	Catalog Number	List Price	Mult. Symbol	Approx. Shipping Weight (lbs)	Service Factor	FL Amps @ High	FL Eff (%)	"C" Dimension (in)	Voltage (V)	Notes
7.5	5.5	3600	213/5T	<a href="#">00736ET3E213T-SRG</a>	<b>\$1,298</b>	RSP	115	1.15	8.67	89.5	18.897	230/460	9;34
		3600	213/5T	<a href="#">00736ET3E213T-SG</a>	<b>\$1,180</b>	RSP	124	1.15	8.70	89.5	18.898	230/460	9;34
		3600	213/5TC	<a href="#">00736ET3E213TC-SG</a>	<b>\$1,225</b>	RSP	134	1.15	8.70	89.5	18.898	230/460	9;34,51
		3600	213/5T	<a href="#">00736ET3H213T-SG</a>	<b>\$1,180</b>	RSP	124	1.15	7.00	89.5	19.898	575	9;34
		1800	213/5T	<a href="#">00718ET3E213T-SG</a>	<b>\$1,148</b>	RSP	131	1.15	9.10	91.7	18.898	230/460	9;34
		1800	213/5TC	<a href="#">00718ET3E213TC-SG</a>	<b>\$1,194</b>	RSP	140	1.15	9.10	91.7	18.898	230/460	9;34,51
		1800	213/5T	<a href="#">00718ET3H213T-SG</a>	<b>\$1,148</b>	RSP	131	1.15	7.30	91.7	18.898	575	9;34
		1800	213/5T	<a href="#">00718ET3V213T-SG</a>	<b>\$1,148</b>	RSP	131	1.15	10.5	91.7	18.898	200/400	9;34
		1200	254/6T	<a href="#">00712ET3E254T-SG</a>	<b>\$2,079</b>	RSP	232	1.15	10.0	91.0	22.559	230/460	9;34
		1200	254/6T	<a href="#">00712ET3H254T-SG</a>	<b>\$2,079</b>	RSP	232	1.15	8.00	91.0	22.559	575	9;34
10	7.5	3600	213/5T	<a href="#">01036ET3E215T-SRG</a>	<b>\$1,496</b>	RSP	178	1.15	11.5	90.2	19.291	230/460	9;34
		3600	213/5T	<a href="#">01036ET3E215T-SG</a>	<b>\$1,360</b>	RSP	157	1.15	11.5	90.2	20.079	230/460	9;34
		3600	213/5TC	<a href="#">01036ET3E215TC-SG</a>	<b>\$1,405</b>	RSP	178	1.15	11.5	90.2	21.654	230/460	9;34,51
		3600	213/5T	<a href="#">01036ET3H215T-SG</a>	<b>\$1,360</b>	RSP	156	1.15	9.20	90.2	20.079	575	9;34
		1800	213/5T	<a href="#">01018ET3E215T-SG</a>	<b>\$1,310</b>	RSP	141	1.15	12.2	91.7	19.291	230/460	9;34
		1800	213/5TC	<a href="#">01018ET3E215TC-SG</a>	<b>\$1,354</b>	RSP	151	1.15	12.2	91.7	19.291	230/460	9;34,51
		1800	213/5T	<a href="#">01018ET3H215T-SG</a>	<b>\$1,310</b>	RSP	141	1.15	9.80	91.7	19.291	575	9;34
		1800	213/5T	<a href="#">01018ET3V215T-SG</a>	<b>\$1,310</b>	RSP	141	1.15	14.0	91.7	19.291	200/400	9;34
		1200	254/6T	<a href="#">01012ET3E256T-SG</a>	<b>\$2,368</b>	RSP	263	1.15	13.8	91.0	23.346	230/460	9;34
		1200	254/6T	<a href="#">01012ET3H256T-SG</a>	<b>\$2,368</b>	RSP	263	1.15	11.0	91.0	23.346	575	9;34
15	11	3600	254/6T	<a href="#">01536ET3E254T-SG</a>	<b>\$1,869</b>	RSP	216	1.15	17.4	91.0	22.559	230/460	9;34
		3600	254/6TC	<a href="#">01536ET3E254TC-SG</a>	<b>\$1,929</b>	RSP	216	1.15	17.4	91.0	22.559	230/460	9;34,51
		3600	254/6T	<a href="#">01536ET3H254T-SG</a>	<b>\$1,869</b>	RSP	216	1.15	13.9	91.0	22.559	575	9;34
		3600	254/6T	<a href="#">01536ET3E254T-W22G</a>	<b>\$2,104</b>	N1	300	1.25	17.2	91.0	24.945	230/460	9;34
		1800	254/6T	<a href="#">01518ET3E254T-W22G</a>	<b>\$2,128</b>	N1	349	1.25	18.0	92.4	24.961	230/460	9;34,51
		1800	254/6T	<a href="#">01518ET3E254T-SG</a>	<b>\$1,890</b>	RSP	234	1.15	18.2	92.4	22.559	230/460	9;34
		1800	254/6TC	<a href="#">01518ET3E254TC-SG</a>	<b>\$1,950</b>	RSP	248	1.15	18.2	92.4	22.559	230/460	9;34
		1800	254/6T	<a href="#">01518ET3H254T-SG</a>	<b>\$1,890</b>	RSP	234	1.15	14.6	92.4	22.559	575	34
		1800	254/6T	<a href="#">01518ET3V254T-SG</a>	<b>\$1,890</b>	RSP	234	1.15	20.9	92.4	22.559	200/400	34
		1200	284/6TS	<a href="#">01512ET3E284TS-W22G</a>	<b>\$3,601</b>	N1	360	1.25	17.9	91.7	26.557	230/460	34
		1200	284/6T	<a href="#">01512ET3E284T-W22G</a>	<b>\$3,601</b>	N1	422	1.25	17.9	91.7	27.929	230/460	9;34
		1200	284/6TS	<a href="#">01512ET3H284TS-W22G</a>	<b>\$3,601</b>	N1	360	1.25	14.3	91.7	26.557	575	9;34,51
20	15	3600	254/6T	<a href="#">02036ET3E256T-SG</a>	<b>\$2,356</b>	RSP	242	1.15	22.7	91.0	23.346	230/460	9;34
		3600	254/6TC	<a href="#">02036ET3E256TC-SG</a>	<b>\$2,416</b>	RSP	245	1.15	22.7	91.0	23.346	230/460	9;34
		3600	254/6T	<a href="#">02036ET3H256T-SG</a>	<b>\$2,356</b>	RSP	242	1.15	18.2	91.0	23.346	575	9;34,51
		3600	254/6T	<a href="#">02036ET3E256T-W22G</a>	<b>\$2,662</b>	N1	325	1.25	23.2	91.0	24.961	230/460	9;34
		1800	254/6T	<a href="#">02018ET3E256T-SG</a>	<b>\$2,198</b>	RSP	265	1.15	24.7	92.4	23.346	230/460	9;34,51
		1800	254/6TC	<a href="#">02018ET3E256TC-SG</a>	<b>\$2,258</b>	RSP	279	1.15	24.7	93.0	23.346	230/460	34
		1800	254/6T	<a href="#">02018ET3H256T-SG</a>	<b>\$2,198</b>	RSP	265	1.15	19.8	93.0	23.346	575	34
		1800	254/6T	<a href="#">02018ET3V256T-SG</a>	<b>\$2,198</b>	RSP	265	1.15	28.4	93.0	23.346	200/400	34
		1200	284/6T	<a href="#">02012ET3E286T-W22G</a>	<b>\$4,272</b>	N1	449	1.25	24.2	91.7	27.929	230/460	34
		1200	284/6T	<a href="#">02012ET3H286T-W22G</a>	<b>\$4,272</b>	N1	450	1.25	19.4	91.7	27.929	575	34
25	18.5	3600	284/6TS	<a href="#">02536ET3E284TS-W22G</a>	<b>\$3,308</b>	N1	406	1.25	28.5	91.7	26.557	230/460	34
		3600	284/6TS	<a href="#">02536ET3H284TS-W22G</a>	<b>\$3,308</b>	N1	400	1.25	22.8	91.7	26.557	575	34
		1800	284/6T	<a href="#">02518ET3E284T-W22G</a>	<b>\$3,053</b>	N1	440	1.25	29.5	93.6	27.929	230/460	34
		1800	284/6T	<a href="#">02518ET3H284T-W22G</a>	<b>\$3,053</b>	N1	439	1.25	23.6	93.6	27.929	575	34
		1800	284/6T	<a href="#">02518ET3V284T-W22G</a>	<b>\$3,053</b>	N1	440	1.25	33.9	93.6	27.929	200/400	34
		1200	324/6T	<a href="#">02512ET3E324T-W22G</a>	<b>\$5,137</b>	N1	585	1.25	30.4	93.0	31.116	230/460	34
1200	324/6T	<a href="#">02512ET3H324T-W22G</a>	<b>\$5,137</b>	N1	569	1.25	24.3	93.0	31.116	575	34		

*continued on next page*

Please refer to inside back cover for description of "NOTES"

For detailed specifications, data sheets, drawings and performance curves visit <http://www.weg.net>



### TEFC - Three-Phase - Foot Mount and Foot Mount with C-Face - continued

HP	kW	RPM	Frame	Catalog Number	List Price	Mult. Symbol	Approx. Shipping Weight (lbs)	Service Factor	FL Amps @ High	FL. Eff (%)	"C" Dimension (in)	Voltage (V)	Notes
30	22	3600	284/6TS	<a href="#">03036ET3E286TS-W22G</a>	<b>\$3,871</b>	N1	425	1.25	33.8	91.7	26.557	230/460	34
		3600	284/6TS	<a href="#">03036ET3H286TS-W22G</a>	<b>\$3,871</b>	N1	430	1.25	27.0	91.7	26.557	575	34
		1800	284/6T	<a href="#">03018ET3E286T-W22G</a>	<b>\$3,533</b>	N1	478	1.25	35.1	93.6	27.929	230/460	34
		1800	284/6TC	<a href="#">03018ET3E286TC-W22G</a>	<b>\$3,632</b>	N1	486	1.25	35.1	93.6	27.929	230/460	34
		1800	284/6T	<a href="#">03018ET3H286T-W22G</a>	<b>\$3,533</b>	N1	476	1.25	28.1	93.6	27.929	575	34
		1800	284/6T	<a href="#">03018ET3V286T-W22G</a>	<b>\$3,533</b>	N1	479	1.25	40.4	93.6	27.929	200/400	34
		1200	324/6T	<a href="#">03012ET3E326T-W22G</a>	<b>\$5,673</b>	N1	629	1.25	36.2	93.0	31.116	230/460	34
		1200	324/6TC	<a href="#">03012ET3E326TC-W22G</a>	<b>\$5,794</b>	N1	621	1.25	36.2	93.0	31.116	230/460	34,51
		1200	324/6T	<a href="#">03012ET3H326T-W22G</a>	<b>\$5,673</b>	N1	621	1.25	29.0	93.0	31.116	575	34
40	30	3600	324/6TS	<a href="#">04036ET3E324TS-W22G</a>	<b>\$5,125</b>	N1	590	1.25	45.8	92.4	29.616	230/460	34
		3600	324/6TS	<a href="#">04036ET3H324TS-W22G</a>	<b>\$5,125</b>	N1	572	1.25	36.6	92.4	29.616	575	34
		1800	324/6T	<a href="#">04018ET3E324T-W22G</a>	<b>\$4,578</b>	N1	615	1.25	47.1	94.1	31.116	230/460	34
		1800	324/6T	<a href="#">04018ET3H324T-W22G</a>	<b>\$4,578</b>	N1	614	1.25	37.7	94.1	31.116	575	34
		1800	324/6T	<a href="#">04018ET3V324T-W22G</a>	<b>\$4,578</b>	N1	616	1.25	54.2	94.1	31.116	200/400	34
		1200	364/5T	<a href="#">04012ET3E364T-W22G</a>	<b>\$8,124</b>	N1	1004	1.25	46.5	94.1	34.251	230/460	34
		1200	364/5T	<a href="#">04012ET3H364T-W22G</a>	<b>\$8,124</b>	N1	950	1.25	37.2	94.1	34.251	575	34
50	37	3600	324/6TS	<a href="#">05036ET3E326TS-W22G</a>	<b>\$5,716</b>	N1	612	1.25	56.1	93.0	29.616	230/460	34
		3600	324/6TS	<a href="#">05036ET3H326TS-W22G</a>	<b>\$5,716</b>	N1	605	1.25	44.9	93.0	29.616	575	34
		1800	324/6T	<a href="#">05018ET3E326T-W22G</a>	<b>\$5,500</b>	N1	638	1.25	59.2	94.5	31.116	230/460	34
		1800	324/6T	<a href="#">05018ET3H326T-W22G</a>	<b>\$5,500</b>	N1	634	1.25	47.4	94.5	31.116	575	34
		1800	324/6T	<a href="#">05018ET3V326T-W22G</a>	<b>\$5,500</b>	N1	637	1.25	68.1	94.5	31.116	200/400	34,51
		1200	364/5T	<a href="#">05012ET3E365T-W22G</a>	<b>\$9,358</b>	N1	1021	1.25	57.4	94.1	34.251	230/460	34
		1200	364/5T	<a href="#">05012ET3H365T-W22G</a>	<b>\$9,358</b>	N1	1009	1.25	45.9	94.1	34.251	575	34
60	45	3600	364/5TS	<a href="#">06036ET3E364TS-W22G</a>	<b>\$8,392</b>	N1	962	1.25	67.0	93.6	32.338	230/460	34
		3600	364/5TS	<a href="#">06036ET3H364TS-W22G</a>	<b>\$8,392</b>	N1	954	1.25	53.6	93.6	32.338	575	34,51
		1800	364/5T	<a href="#">06018ET3E364T-W22G</a>	<b>\$8,229</b>	N1	1029	1.25	68.3	95.0	34.251	230/460	34
		1800	364/5T	<a href="#">06018ET3H364T-W22G</a>	<b>\$8,229</b>	N1	1027	1.25	54.6	95.0	34.251	575	34
		1200	404/5T	<a href="#">06012ET3E404T-W22G</a>	<b>\$11,697</b>	N1	1213	1.25	69.5	94.5	39.730	230/460	34
		1200	404/5T	<a href="#">06012ET3H404T-W22G</a>	<b>\$11,697</b>	N1	1213	1.25	55.6	94.5	39.730	575	34
75	55	3600	364/5TS	<a href="#">07536ET3E365TS-W22G</a>	<b>\$9,931</b>	N1	965	1.25	81.9	93.6	32.338	230/460	34
		3600	364/5TS	<a href="#">07536ET3H365TS-W22G</a>	<b>\$9,931</b>	N1	967	1.25	65.5	93.6	32.338	575	34,51
		1800	364/5T	<a href="#">07518ET3E365T-W22G</a>	<b>\$9,545</b>	N1	1046	1.25	84.1	95.4	34.251	230/460	34
		1800	364/5TC	<a href="#">07518ET3E365TC-W22G</a>	<b>\$9,988</b>	N1	1041	1.25	84.1	95.4	34.251	230/460	34,51
		1800	364/5T	<a href="#">07518ET3H365T-W22G</a>	<b>\$9,545</b>	N1	1044	1.25	67.3	95.4	34.251	575	34
		1200	404/5T	<a href="#">07512ET3E405T-W22G</a>	<b>\$13,258</b>	N1	882	1.25	84.9	94.5	39.730	230/460	34
		1200	404/5T	<a href="#">07512ET3H405T-W22G</a>	<b>\$13,258</b>	N1	882	1.25	67.9	94.5	39.730	575	34
100	75	3600	404/5TS	<a href="#">10036ET3E405TS-W22G</a>	<b>\$13,202</b>	N1	1193	1.25	110	94.1	36.732	230/460	34
		1800	404/5T	<a href="#">10018ET3E405T-W22G</a>	<b>\$12,889</b>	N1	1283	1.25	111	95.4	39.730	230/460	34
		1800	404/5T	<a href="#">10018ET3H405T-W22G</a>	<b>\$12,889</b>	N1	1292	1.25	88.8	95.4	39.730	575	34
		1200	444/5T	<a href="#">10012ET3E444T-W22G</a>	<b>\$17,181</b>	N1	1885	1.25	121	95.0	45.157	230/460	34
		1200	444/5T	<a href="#">10012ET3H444T-W22G</a>	<b>\$17,181</b>	N1	1885	1.25	96.8	95.0	45.157	575	34

Air Handling Motors

continued on next page

Please refer to inside back cover for description of "NOTES"

For detailed specifications, data sheets, drawings and performance curves visit <http://www.weg.net>

Data subject to change without notice.

Can't find what you are looking for? Call 1-800-ASK-4WEG (275-4934)

# Air Handling Motors



HVAC MOTORS - WITH INTERNAL AEGIS® SGR

## TEFC - Three-Phase - Foot Mount and Foot Mount with C-Face - *continued*

HP	kW	RPM	Frame	Catalog Number	List Price	Mult. Symbol	Approx. Shipping Weight (lbs)	Service Factor	FL Amps @ High	FL. Eff (%)	"C" Dimension (in)	Voltage (V)	Notes
125	90	3600	444/5TS	<a href="#">12536ET3E444TS-W22G</a>	<b>\$16,900</b>	N1	1836	1.15	134	95.0	41.407	230/460	34
		3600	444/5TS	<a href="#">12536ET3H444TS-W22G</a>	<b>\$16,900</b>	N1	1836	1.15	107	95.0	41.407	575	34
		1800	444/5T	<a href="#">12518ET3E444T-W22G</a>	<b>\$16,298</b>	N1	1824	1.15	139	95.4	45.157	230/460	34
		1800	444/5TC	<a href="#">12518ET3E444TC-W22G</a>	<b>\$16,904</b>	N1	1861	1.15	139	95.4	45.157	230/460	34
		1800	444/5T	<a href="#">12518ET3H444T-W22G</a>	<b>\$16,298</b>	N1	1824	1.15	111	95.4	45.157	575	34
		1800	444/5TC	<a href="#">12518ET3G444TC-W22G</a>	<b>\$17,768</b>	N1	1754	1.15	139	95.4	45.157	460	34,51
		1200	444/5T	<a href="#">12512ET3E445T-W22G</a>	<b>\$19,497</b>	N1	2004	1.15	143	95.0	45.157	230/460	34
		1200	444/5T	<a href="#">12512ET3H445T-W22G</a>	<b>\$19,497</b>	N1	2004	1.15	114	95.0	45.157	575	34
150	110	1800	444/5TC	<a href="#">15018ET3E445TC-W22G</a>	<b>\$19,575</b>	N1	1960	1.15	170	95.8	45.157	230/460	34
		1800	444/5TC	<a href="#">15018ET3G445TC-W22G</a>	<b>\$19,575</b>	N1	1960	1.15	170	95.8	45.157	460	34,51



### ODP - Three-Phase - Foot Mount and Foot Mount with C-Face

HP	kW	RPM	Frame	Catalog Number	List Price	Mult. Symbol	Approx. Shipping Weight (lbs)	Service Factor	FL Amps @ High	FL. Eff (%)	"C" Dimension (in)	Voltage (V)	Notes
1	0.75	1800	143/5T	<a href="#">001180T3E143T-SG*</a>	<b>\$530</b>	N1S	38	1.15	1.50	85.5	11.181	230/460	9;34
		1800	143/5TC	<a href="#">001180T3E143TC-SG</a>	<b>\$564</b>	N1S	38	1.15	1.50	85.5	11.181	230/460	9;34
		1800	143/5T	<a href="#">001180T3H143T-SG</a>	<b>\$530</b>	N1S	38	1.15	1.20	85.5	11.181	575	9;34,51
		1800	143/5T	<a href="#">001180T3V143T-SG</a>	<b>\$530</b>	N1S	38	1.15	1.70	85.5	11.181	200/400	9;34,51
		1200	143/5T	<a href="#">001120T3E145T-SG</a>	<b>\$586</b>	N1S	38	1.15	1.70	82.5	11.181	230/460	9;34,51
		1200	143/5T	<a href="#">001120T3H145T-SG</a>	<b>\$586</b>	N1S	38	1.15	1.30	82.5	11.181	575	9;34
1.5	1.1	3600	143/5T	<a href="#">001560T3E143T-SG</a>	<b>\$582</b>	N1S	33	1.15	1.90	84.0	11.181	230/460	9;34
		1800	143/5T	<a href="#">001580T3E145T-SG</a>	<b>\$589</b>	N1S	45	1.15	2.10	86.5	12.362	230/460	9;34
		1800	143/5TC	<a href="#">001580T3E145TC-SG</a>	<b>\$623</b>	N1S	45	1.15	2.10	86.5	12.362	230/460	9;34,51
		1800	143/5T	<a href="#">001580T3H145T-SG</a>	<b>\$589</b>	N1S	45	1.15	1.70	86.5	12.362	575	9;34
		1800	143/5T	<a href="#">001580T3V145T-SG</a>	<b>\$589</b>	N1S	45	1.15	2.40	86.5	12.362	200/400	9;34
		1800	143/5TC	<a href="#">001580T3V145TC-SG</a>	<b>\$623</b>	N1S	45	1.15	2.40	86.5	12.362	200/400	9;34,51
2	1.5	1200	182/4T	<a href="#">001520T3E182T-SG</a>	<b>\$758</b>	N1S	63	1.15	2.30	86.5	13.976	230/460	9;34
		3600	143/5T	<a href="#">002360T3E145T-SG</a>	<b>\$627</b>	N1S	40	1.15	2.40	85.5	11.969	230/460	9;34
		1800	143/5T	<a href="#">002180T3E145T-SG</a>	<b>\$632</b>	N1S	43	1.15	2.70	86.5	12.362	230/460	9;34
		1800	143/5TC	<a href="#">002180T3E145TC-SG</a>	<b>\$666</b>	N1S	43	1.15	2.70	86.5	12.362	230/460	9;34,51
		1800	143/5T	<a href="#">002180T3H145T-SG</a>	<b>\$632</b>	N1S	43	1.15	2.20	86.5	12.362	575	9;34,51
		1800	143/5T	<a href="#">002180T3V145T-SG</a>	<b>\$632</b>	N1S	43	1.15	3.10	86.5	12.362	200/400	9;34
3	2.2	1200	182/4T	<a href="#">002120T3E184T-SG</a>	<b>\$767</b>	N1S	73	1.15	3.00	87.5	14.764	230/460	9;34
		3600	143/5T	<a href="#">003360T3E145T-SG</a>	<b>\$685</b>	N1S	44	1.15	3.60	85.5	12.362	230/460	9;34
		1800	182/4T	<a href="#">003180T3E182T-SG</a>	<b>\$694</b>	N1S	73	1.15	3.90	89.5	15.157	230/460	9;34
		1800	182/4TC	<a href="#">003180T3E182TC-SG</a>	<b>\$732</b>	N1S	73	1.15	3.90	89.5	15.157	230/460	9;34
		1800	182/4T	<a href="#">003180T3H182T-SG</a>	<b>\$694</b>	N1S	73	1.15	3.10	89.5	15.157	575	9;34
		1800	182/4T	<a href="#">003180T3V182T-SG</a>	<b>\$694</b>	N1S	73	1.15	4.40	89.5	15.157	200/400	9;34
5	3.7	1800	182/4TC	<a href="#">003180T3V182TC-SG</a>	<b>\$732</b>	N1S	73	1.15	4.40	89.5	15.157	200/400	9;34,51
		1200	213/5T	<a href="#">003120T3E213T-SG</a>	<b>\$975</b>	N1S	113	1.15	4.20	88.5	16.575	230/460	9;34
		1200	213/5T	<a href="#">003120T3H213T-SG</a>	<b>\$975</b>	N1S	113	1.15	3.30	88.5	16.575	575	9;34
		3600	182/4T	<a href="#">005360T3E182T-SG</a>	<b>\$821</b>	N1S	60	1.15	6.10	86.5	13.977	230/460	9;34
		3600	182/4TC	<a href="#">005360T3E182TC-SG</a>	<b>\$859</b>	N1S	59	1.15	6.10	86.5	14.764	230/460	9;34,51
		1800	182/4T	<a href="#">005180T3E184T-SG</a>	<b>\$800</b>	N1S	88	1.15	6.30	89.5	16.339	230/460	9;34
		1800	182/4TC	<a href="#">005180T3E184TC-SG</a>	<b>\$838</b>	N1S	88	1.15	6.30	89.5	16.339	230/460	9;34
		1800	182/4T	<a href="#">005180T3H184T-SG</a>	<b>\$800</b>	N1S	88	1.15	5.10	89.5	16.339	575	9;34
5	3.7	1800	182/4T	<a href="#">005180T3V184T-SG</a>	<b>\$800</b>	N1S	88	1.15	7.30	89.5	16.339	200/400	9;34
		1800	182/4TC	<a href="#">005180T3V184TC-SG</a>	<b>\$838</b>	N1S	88	1.15	7.30	89.5	16.339	200/400	9;34,51
		1200	213/5T	<a href="#">005120T3E215T-SG</a>	<b>\$1,257</b>	N1S	135	1.15	6.70	89.5	16.969	230/460	9;34

continued on next page

Air Handling Motors

Please refer to inside back cover for description of "NOTES"

For detailed specifications, data sheets, drawings and performance curves visit <http://www.weg.net>

Data subject to change without notice.

### ODP - Three-Phase - Foot Mount and Foot Mount with C-Face - *continued*

HP	kW	RPM	Frame	Catalog Number	List Price	Mult. Symbol	Approx. Shipping Weight (lbs)	Service Factor	FL Amps @ High	FL. Eff (%)	"C" Dimension (in)	Voltage (V)	Notes
7.5	5.5	3600	182/4T	<a href="#">007360T3E184T-SG</a>	<b>\$1,090</b>	N1S	76	1.15	8.70	88.5	15.157	230/460	9;34
		3600	182/4TC	<a href="#">007360T3E184TC-SG</a>	<b>\$1,128</b>	N1S	70	1.15	8.70	88.5	15.157	230/460	9;34,51
		1800	213/5T	<a href="#">007180T3E213T-SG</a>	<b>\$1,110</b>	N1S	125	1.15	9.30	91.0	16.575	230/460	9;34
		1800	213/5TC	<a href="#">007180T3E213TC-SG</a>	<b>\$1,161</b>	N1S	125	1.15	9.30	91.0	16.575	230/460	9;34
		1800	213/5T	<a href="#">007180T3H213T-SG</a>	<b>\$1,110</b>	N1S	125	1.15	7.40	91.0	16.575	575	9;34,51
		1800	213/5T	<a href="#">007180T3V213T-SG</a>	<b>\$1,110</b>	N1S	125	1.15	10.6	91.0	16.575	200/400	9;34
		1800	213/5TC	<a href="#">007180T3V213TC-SG</a>	<b>\$1,161</b>	N1S	125	1.15	10.6	91.0	16.575	200/400	9;34
		1200	254/6T	<a href="#">007120T3E254T-SG</a>	<b>\$1,747</b>	N1S	209	1.15	10.2	90.2	20.472	230/460	9;34
		1200	254/6TC	<a href="#">007120T3E254TC-SG</a>	<b>\$1,815</b>	N1S	209	1.15	10.2	90.2	20.472	230/460	9;34
		1200	254/6T	<a href="#">007120T3H254T-SG</a>	<b>\$1,747</b>	N1S	209	1.15	8.20	90.2	20.472	575	9;34
10	7.5	3600	213/5T	<a href="#">010360T3E213T-SG</a>	<b>\$1,281</b>	N1S	117	1.15	12.0	89.5	16.575	230/460	9;34
		3600	213/5TC	<a href="#">010360T3E213TC-SG</a>	<b>\$1,332</b>	N1S	126	1.15	12.0	89.5	16.969	230/460	9;34,51
		1800	213/5T	<a href="#">010180T3E215T-SG</a>	<b>\$1,302</b>	N1S	130	1.15	12.4	91.7	16.575	230/460	9;34
		1800	213/5TC	<a href="#">010180T3E215TC-SG</a>	<b>\$1,353</b>	N1S	130	1.15	12.4	91.7	16.575	230/460	9;34
		1800	213/5T	<a href="#">010180T3H215T-SG</a>	<b>\$1,302</b>	N1S	130	1.15	9.90	91.7	16.575	575	9;34
		1800	213/5T	<a href="#">010180T3V215T-SG</a>	<b>\$1,302</b>	N1S	130	1.15	14.3	91.7	16.575	200/400	9;34,51
		1800	213/5TC	<a href="#">010180T3V215TC-SG</a>	<b>\$1,353</b>	N1S	130	1.15	14.3	91.7	16.575	200/400	9;34
		1200	254/6T	<a href="#">010120T3E256T-SG</a>	<b>\$1,997</b>	N1S	237	1.15	13.9	91.7	20.472	230/460	9;34
1200	254/6T	<a href="#">010120T3H256T-SG</a>	<b>\$1,997</b>	N1S	237	1.15	11.1	91.7	20.472	575	9;34		
15	11	3600	213/5T	<a href="#">015360T3E215T-SG</a>	<b>\$1,692</b>	N1S	141	1.15	17.2	90.2	17.756	230/460	9;34
		3600	213/5TC	<a href="#">015360T3E215TC-SG</a>	<b>\$1,743</b>	N1S	141	1.15	17.2	90.2	17.756	230/460	9;34,51
		1800	254/6T	<a href="#">015180T3E254T-SG</a>	<b>\$1,757</b>	N1S	211	1.15	18.6	93.0	20.472	230/460	9;34
		1800	254/6TC	<a href="#">015180T3E254TC-SG</a>	<b>\$1,825</b>	N1S	211	1.15	18.6	93.0	20.472	230/460	9;34
		1800	254/6T	<a href="#">015180T3H254T-SG</a>	<b>\$1,757</b>	N1S	211	1.15	14.9	93.0	20.472	575	9;34
		1800	254/6T	<a href="#">015180T3V254T-SG</a>	<b>\$1,757</b>	N1S	211	1.15	21.4	93.0	20.472	200/400	9;34
		1200	284T	<a href="#">015120T3E284T-W40G</a>	<b>\$2,722</b>	N1B	340	1.25	18.4	91.7	23.158	230/460	34
20	15	3600	254/6T	<a href="#">020360T3E254T-SG</a>	<b>\$2,040</b>	N1S	187	1.15	23.8	91.0	20.472	230/460	9;34
		3600	254/6TC	<a href="#">020360T3E254TC-SG</a>	<b>\$2,108</b>	N1S	187	1.15	23.8	91.0	20.472	230/460	9;34,51
		1800	254/6T	<a href="#">020180T3E256T-SG</a>	<b>\$2,112</b>	N1S	235	1.15	25.0	93.0	20.472	230/460	9;34
		1800	254/6TC	<a href="#">020180T3E256TC-SG</a>	<b>\$2,180</b>	N1S	235	1.15	25.0	93.0	20.472	230/460	9;34
		1800	254/6T	<a href="#">020180T3H256T-SG</a>	<b>\$2,112</b>	N1S	235	1.15	20.0	93.0	20.472	575	9;34
		1800	254/6T	<a href="#">020180T3V256T-SG</a>	<b>\$2,112</b>	N1S	235	1.15	28.8	93.0	20.472	200/400	9;34
		1800	254/6TC	<a href="#">020180T3V256TC-SG</a>	<b>\$2,180</b>	N1S	235	1.15	28.8	93.0	20.472	200/400	9;34
		1200	284/6T	<a href="#">020120T3E286T-W40G</a>	<b>\$3,344</b>	N1B	415	1.25	24.3	92.4	24.658	230/460	34
25	18.5	3600	254/6T	<a href="#">025360T3E256T-SG</a>	<b>\$2,419</b>	N1S	202	1.15	29.1	91.7	20.472	230/460	9;34
		3600	254/6TC	<a href="#">025360T3E256TC-SG</a>	<b>\$2,487</b>	N1S	202	1.15	29.1	91.7	20.472	230/460	9;34,51
		1800	284T	<a href="#">025180T3E284T-W40G</a>	<b>\$2,470</b>	N1B	381	1.25	29.5	93.6	23.158	230/460	34
		1800	284TC	<a href="#">025180T3E284TC-W40G</a>	<b>\$2,555</b>	N1B	388	1.25	29.5	93.6	23.158	230/460	34
		1800	284T	<a href="#">025180T3H284T-W40G</a>	<b>\$2,470</b>	N1B	380	1.25	23.6	93.6	23.158	575	34
		1800	284T	<a href="#">025180T3V284T-W40G</a>	<b>\$2,470</b>	N1B	372	1.25	33.9	93.6	23.158	200/400	34
		1200	324T	<a href="#">025120T3E324T-W40G</a>	<b>\$3,919</b>	N1B	485	1.25	30.8	93.0	25.807	230/460	34

*continued on next page*

Please refer to inside back cover for description of "NOTES"

For detailed specifications, data sheets, drawings and performance curves visit <http://www.weg.net>





### ODP - Three-Phase - Foot Mount and Foot Mount with C-Face - *continued*

HP	KW	RPM	Frame	Catalog Number	List Price	Mult. Symbol	Approx. Shipping Weight (lbs)	Service Factor	FL Amps @ High	FL Eff (%)	"C" Dimension (in)	Voltage (V)	Notes
30	22	3600	284TS	<a href="#">030360T3E284TS-W40G</a>	<b>\$2,797</b>	N1B	333	1.25	35.0	91.7	21.783	230/460	34
		1800	284/6T	<a href="#">030180T3E286T-W40G</a>	<b>\$2,840</b>	N1B	428	1.25	34.9	94.1	24.658	230/460	34
		1800	284/6TC	<a href="#">030180T3E286TC-W40G</a>	<b>\$2,925</b>	N1B	435	1.25	34.9	94.1	24.658	230/460	34
		1800	284/6T	<a href="#">030180T3H286T-W40G</a>	<b>\$2,840</b>	N1B	432	1.25	27.9	94.1	24.658	575	34
		1800	284/6T	<a href="#">030180T3V286T-W40G</a>	<b>\$2,840</b>	N1B	432	1.25	40.1	94.1	24.658	200/400	34
		1200	324/6T	<a href="#">030120T3E326T-W40G</a>	<b>\$4,290</b>	N1B	548	1.25	36.0	93.6	27.307	230/460	34
40	30	3600	284/6TS	<a href="#">040360T3E286TS-W40G</a>	<b>\$3,618</b>	N1B	377	1.25	46.8	92.4	23.283	230/460	34
		3600	284/6TSC	<a href="#">040360T3E286TSC-W40G</a>	<b>\$3,703</b>	N1B	397	1.25	46.8	92.4	23.283	230/460	34
		1800	324TS	<a href="#">040180T3E324TS-W40G</a>	<b>\$3,372</b>	N1B	505	1.25	47.6	94.1	24.307	230/460	34
		1800	324T	<a href="#">040180T3E324T-W40G</a>	<b>\$3,495</b>	N1B	481	1.25	47.6	94.1	25.807	230/460	34
		1800	324TC	<a href="#">040180T3E324TC-W40G</a>	<b>\$3,595</b>	N1B	497	1.25	47.6	94.1	25.807	230/460	34
		1800	324T	<a href="#">040180T3H324T-W40G</a>	<b>\$3,495</b>	N1B	505	1.25	38.1	94.1	25.807	575	34
		1800	324T	<a href="#">040180T3V324T-W40G</a>	<b>\$3,495</b>	N1B	486	1.25	54.7	94.1	25.807	200/400	34
		1800	324TC	<a href="#">040180T3V324TC-W40G</a>	<b>\$3,595</b>	N1B	505	1.25	54.7	94.1	25.807	200/400	34,51
		1200	364/5T	<a href="#">040120T3E364T-W40G</a>	<b>\$6,384</b>	N1B	855	1.25	47.1	94.1	29.725	230/460	34
50	37	3600	324TS	<a href="#">050360T3E324TS-W40G</a>	<b>\$4,097</b>	N1B	520	1.25	58.7	93.0	24.307	230/460	34
		3600	324TSC	<a href="#">050360T3E324TSC-W40G</a>	<b>\$4,197</b>	N1B	520	1.25	58.7	93.0	24.307	230/460	34
		1800	326TC	<a href="#">050180T3E326TC-G*</a>	<b>\$4,288</b>	N1B	587	1.15	59.9	94.5	27.667	230/460	34
		1800	324/6T	<a href="#">050180T3E326T-W40G</a>	<b>\$4,188</b>	N1B	544	1.25	58.5	94.5	27.307	230/460	34
		1800	324/6TC	<a href="#">050180T3E326TC-W40G</a>	<b>\$4,288</b>	N1B	563	1.25	58.5	94.5	27.307	230/460	34
		1800	324/6T	<a href="#">050180T3H326T-W40G</a>	<b>\$4,188</b>	N1B	535	1.25	46.8	94.5	27.307	575	34
		1800	324/6T	<a href="#">050180T3V326T-W40G</a>	<b>\$4,188</b>	N1B	520	1.25	67.3	94.5	27.307	200/400	34
		1200	364/5T	<a href="#">050120T3E365T-W40G</a>	<b>\$7,232</b>	N1B	884	1.25	58.1	94.1	29.725	230/460	34,51
60	45	3600	324/6TS	<a href="#">060360T3E326TS-W40G</a>	<b>\$4,858</b>	N1B	548	1.25	71.0	93.6	25.807	230/460	34
		1800	364/5T	<a href="#">060180T3E364T-W40G</a>	<b>\$5,283</b>	N1B	854	1.25	69.9	95.0	29.725	230/460	34
		1800	364/5TC	<a href="#">060180T3E364TC-W40G</a>	<b>\$5,677</b>	N1B	881	1.25	69.9	95.0	29.725	230/460	34
		1800	364/5T	<a href="#">060180T3H364T-W40G</a>	<b>\$5,283</b>	N1B	847	1.25	55.9	95.0	29.725	575	34
		1200	404/5T	<a href="#">060120T3E404T-W40G</a>	<b>\$8,762</b>	N1B	1051	1.25	70.3	94.5	34.100	230/460	34,51
75	55	3600	364/5TS	<a href="#">075360T3E364TS-W40G</a>	<b>\$6,172</b>	N1B	789	1.25	84.8	93.6	27.522	230/460	34
		3600	364/5TSC	<a href="#">075360T3E364TSC-W40G</a>	<b>\$6,566</b>	N1B	794	1.25	84.8	93.6	27.522	230/460	34,51
		1800	364/5T	<a href="#">075180T3E365T-W40G</a>	<b>\$6,498</b>	N1B	878	1.25	85.5	95.0	29.725	230/460	34
		1800	364/5TC	<a href="#">075180T3E365TC-W40G</a>	<b>\$6,892</b>	N1B	904	1.25	85.5	95.0	29.725	230/460	34
		1800	364/5T	<a href="#">075180T3H365T-W40G</a>	<b>\$6,498</b>	N1B	875	1.25	68.4	95.0	29.725	575	34
		1200	404/5T	<a href="#">075120T3E405T-W40G</a>	<b>\$9,558</b>	N1B	1087	1.25	85.9	94.5	34.100	230/460	34,51
100	75	3600	364/5TS	<a href="#">100360T3E365TS-W40G</a>	<b>\$7,484</b>	N1B	835	1.25	116	93.6	27.522	230/460	34,51
		1800	404/5TS	<a href="#">100180T3E404TS-W40G</a>	<b>\$7,751</b>	N1B	1047	1.25	115	95.4	31.100	230/460	34
		1800	404/5T	<a href="#">100180T3E404T-W40G</a>	<b>\$8,341</b>	N1B	1064	1.25	115	95.4	34.100	230/460	34
		1800	404/5T	<a href="#">100180T3H404T-W40G</a>	<b>\$8,341</b>	N1B	1070	1.25	92.0	95.4	34.100	575	34
		1200	444/5T	<a href="#">100120T3E444T-W40G</a>	<b>\$13,463</b>	N1B	1403	1.25	127	95.0	38.108	230/460	34,51
125	90	3600	404/5TS	<a href="#">125360T3E404TS-W40G</a>	<b>\$10,026</b>	N1B	955	1.25	136	94.1	31.100	230/460	34,51
		1800	404/5T	<a href="#">125180T3E405T-W40G</a>	<b>\$9,181</b>	N1B	1156	1.25	138	95.4	34.100	230/460	34,51
		1800	404/5TC	<a href="#">125180T3E405TC-W40G</a>	<b>\$9,627</b>	N1B	1156	1.25	138	95.4	34.100	230/460	34
		1800	404/5T	<a href="#">125180T3H405T-W40G</a>	<b>\$9,181</b>	N1B	1156	1.25	110	95.4	34.100	575	34,51
		1200	444/5T	<a href="#">125120T3G445T-W40G</a>	<b>\$14,353</b>	N1B	1497	1.25	154	95.0	38.108	460	34,51
150	110	3600	404/5TS	<a href="#">150360T3G405TS-W40G</a>	<b>\$12,616</b>	N1B	1004	1.25	167	94.1	31.100	460	34,51

\* To be discontinued and replaced by W40 model once inventory is depleted.

Please refer to inside back cover for description of "NOTES"

For detailed specifications, data sheets, drawings and performance curves visit <http://www.weg.net>

Data subject to change without notice.

Can't find what you are looking for? Call 1-800-ASK-4WEG (275-4934)

# Air Handling Motors

## COOLING TOWER MOTORS

### Three-Phase TEFC & TEAO

WEG's cooling tower motors are designed for operation in 100% humidity and the most corrosive environments. They are designed to operate in either horizontal or vertical mounting.

WEG's W22 cast iron platform has a superior cooling system and solid feet for cool operation and low vibration and noise extending the life of the motor.

#### Standard Features:

- 50/60 Hz rated (380V on Nameplate - 400/415 Available - Same Horse Power at 50 Hz with a 1.0 Service Factor)
- Class F insulation (Impregnation Resin and magnet Wire are class H)
- Standard mounting is F2. F1 mounted motors are identified in the part number. (Both configurations are convertible).
- Stainless Steel Nameplate - Laser etched with high contrast background
- Double Sealed bearings
- Space Heaters 110-127/200-240V (200-240V 143/5T)



#### Features that make a difference:

- 1.25 Service Factor
- Multiple endbell drain plugs for shaft up, down or horizontal mounting
- Drain plugs in terminal box
- Rubber lead separator between terminal box and frame
- Internally and externally epoxy painted (C4 per ISO12944)
- Double sealed bearings
- Double impregnation and bake

**Inverter Rated:**  
**1000:1 for variable torque**





## COOLING TOWER MOTORS - THREE-PHASE

### TEFC - Three-Phase - Foot Mount - NEMA Premium®

HP	kW	RPM	Frame	Catalog Number	List Price	Mult. Symbol	Approx. Shipping Weight (lbs)	Service Factor	FL Amps @ High	FL. Eff (%)	"C" Dimension (in)	Voltage (V)	Notes
1	0.75	1800	143T	<a href="#">00118ET3ECT143TF1-W2</a>	\$647	L1	48	1.25	1.47	85.5	12.346	230/460	
		1800	143T	<a href="#">00118ET3ECT143T-W22</a>	\$647	L1	48	1.25	1.47	85.5	12.346	230/460	7
		1800	143T	<a href="#">00118ET3PCT143T-W22</a>	\$647	L1	48	1.25	3.38	85.5	12.346	200	7
		1200	143/5T	<a href="#">00112ET3ECT145TF1-W2</a>	\$728	L1	56	1.25	1.73	82.5	13.358	230/460	
		1200	143/5T	<a href="#">00112ET3ECT145T-W22</a>	\$728	L1	58	1.25	1.73	82.5	13.358	230/460	7
		1200	143/5T	<a href="#">00112ET3PCT145TF1-W2</a>	\$728	L1	56	1.25	3.98	82.5	13.358	200	
		1200	143/5T	<a href="#">00112ET3PCT145T-W22</a>	\$728	L1	58	1.25	3.98	82.5	13.358	200	7,51
1.5	1.1	1800	143/5T	<a href="#">00158ET3ECT145TF1-W2</a>	\$676	L1	56	1.25	2.02	86.5	13.358	230/460	
		1800	143/5T	<a href="#">00158ET3ECT145T-W22</a>	\$676	L1	56	1.25	2.02	86.5	13.358	230/460	7
		1800	143/5T	<a href="#">00158ET3PCT145TF1-W2</a>	\$676	L1	56	1.25	4.65	86.5	13.358	200	
		1800	143/5T	<a href="#">00158ET3PCT145T-W22</a>	\$676	L1	56	1.25	4.65	86.5	13.358	200	7
		1200	182T	<a href="#">00152ET3ECT182T-W22</a>	\$903	L1	98	1.25	2.54	87.5	14.860	230/460	7
		1200	182T	<a href="#">00152ET3PCT182T-W22</a>	\$903	L1	79	1.25	5.84	87.5	14.860	200	7
2	1.5	1800	143/5T	<a href="#">00218ET3ECT145TF1-W2</a>	\$752	L1	58	1.25	2.76	86.5	13.358	230/460	
		1800	143/5T	<a href="#">00218ET3ECT145T-W22</a>	\$752	L1	58	1.25	2.76	86.5	13.358	230/460	7
		1800	143/5T	<a href="#">00218ET3HCT145T-W22</a>	\$752	L1	58	1.25	2.21	86.5	13.358	575	7
		1800	143/5T	<a href="#">00218ET3PCT145TF1-W2</a>	\$752	L1	58	1.25	6.35	86.5	13.358	200	
		1800	143/5T	<a href="#">00218ET3PCT145T-W22</a>	\$752	L1	58	1.25	6.35	86.5	13.358	200	7
		1200	182/4T	<a href="#">00212ET3ECT184T-W22</a>	\$981	L1	107	1.25	3.23	88.5	15.860	230/460	7
		1200	182/4T	<a href="#">00212ET3PCT184T-W22</a>	\$981	L1	97	1.25	7.43	88.5	15.860	200	7
3	2.2	1800	182T	<a href="#">00318ET3ECT182TF1-W2</a>	\$781	L1	96	1.25	3.91	89.5	14.860	230/460	
		1800	182T	<a href="#">00318ET3ECT182T-W22</a>	\$781	L1	96	1.25	3.91	89.5	14.860	230/460	7
		1800	182T	<a href="#">00318ET3HCT182TF1-W2</a>	\$781	L1	95	1.25	3.13	89.5	14.860	575	
		1800	182T	<a href="#">00318ET3HCT182T-W22</a>	\$781	L1	95	1.25	3.13	89.5	14.860	575	7
		1800	182T	<a href="#">00318ET3PCT182TF1-W2</a>	\$781	L1	96	1.25	8.99	89.5	14.860	200	
		1800	182T	<a href="#">00318ET3PCT182T-W22</a>	\$781	L1	96	1.25	8.99	89.5	14.860	200	7
		1200	213T	<a href="#">00312ET3ECT213T-W22</a>	\$1,329	L1	158	1.25	4.41	89.5	18.021	230/460	7
		1200	213T	<a href="#">00312ET3HCT213T-W22</a>	\$1,329	L1	152	1.25	3.53	89.5	19.517	575	7,51
5	3.7	1200	213T	<a href="#">00312ET3PCT213T-W22</a>	\$1,329	L1	159	1.25	10.1	89.5	18.021	200	7
		1800	182/4T	<a href="#">00518ET3ECT184TF1-W2</a>	\$894	L1	108	1.25	6.45	89.5	15.860	230/460	
		1800	182/4T	<a href="#">00518ET3ECT184T-W22</a>	\$894	L1	108	1.25	6.45	89.5	15.860	230/460	7
		1800	182/4T	<a href="#">00518ET3HCT184TF1-W2</a>	\$894	L1	108	1.25	5.16	89.5	15.860	575	
		1800	182/4T	<a href="#">00518ET3HCT184T-W22</a>	\$894	L1	108	1.25	5.16	89.5	15.860	575	7
		1800	182/4T	<a href="#">00518ET3PCT184TF1-W2</a>	\$894	L1	108	1.25	14.8	89.5	15.860	200	
		1800	182/4T	<a href="#">00518ET3PCT184T-W22</a>	\$894	L1	108	1.25	14.8	89.5	15.860	200	7
		1200	213/5T	<a href="#">00512ET3ECT215TF1-W2</a>	\$1,517	L1	175	1.25	6.83	89.5	19.517	230/460	
		1200	213/5T	<a href="#">00512ET3ECT215T-W22</a>	\$1,517	L1	183	1.25	6.83	89.5	19.517	230/460	7
		1200	213/5T	<a href="#">00512ET3HCT215T-W22</a>	\$1,517	L1	175	1.25	5.46	89.5	19.517	575	7,51
		1200	213/5T	<a href="#">00512ET3PCT215T-W22</a>	\$1,517	L1	184	1.25	15.7	89.5	19.517	200	7

Air Handling Motors

continued on next page

Please refer to inside back cover for description of "NOTES"

For detailed specifications, data sheets, drawings and performance curves visit <http://www.weg.net>

Data subject to change without notice.

Can't find what you are looking for? Call 1-800-ASK-4WEG (275-4934)

## COOLING TOWER MOTORS - THREE-PHASE

### TEFC - Three-Phase - Foot Mount - NEMA Premium® - *continued*

HP	kW	RPM	Frame	Catalog Number	List Price	Mult. Symbol	Approx. Shipping Weight (lbs)	Service Factor	FL Amps @ High	FL. Eff (%)	"C" Dimension (in)	Voltage (V)	Notes
7.5	5.5	1800	213T	<a href="#">00718ET3ECT213TF1-W2</a>	\$1,293	L1	171	1.25	9.18	91.7	18.021	230/460	
		1800	213T	<a href="#">00718ET3ECT213T-W22</a>	\$1,293	L1	171	1.25	9.18	91.7	18.021	230/460	7
		1800	213T	<a href="#">00718ET3HCT213TF1-W2</a>	\$1,293	L1	170	1.25	7.34	91.7	18.021	575	
		1800	213T	<a href="#">00718ET3HCT213T-W22</a>	\$1,293	L1	170	1.25	7.34	91.7	18.021	575	7
		1800	213T	<a href="#">00718ET3PCT213TF1-W2</a>	\$1,293	L1	171	1.25	21.1	91.7	18.021	200	
		1800	213T	<a href="#">00718ET3PCT213T-W22</a>	\$1,293	L1	171	1.25	21.1	91.7	18.021	200	7
		1200	254T	<a href="#">00712ET3ECT254T-W22</a>	\$2,433	L1	311	1.25	9.48	91.0	23.213	230/460	7
		1200	254T	<a href="#">00712ET3HCT254T-W22</a>	\$2,433	L1	299	1.25	7.58	91.0	23.213	575	7
		1200	254T	<a href="#">00712ET3PCT254T-W22</a>	\$2,433	L1	311	1.25	21.8	91.0	23.213	200	7
10	7.5	1800	213/5T	<a href="#">01018ET3ECT215TF1-W2</a>	\$1,475	L1	192	1.25	12.4	91.7	19.517	230/460	
		1800	213/5T	<a href="#">01018ET3ECT215T-W22</a>	\$1,475	L1	192	1.25	12.4	91.7	19.517	230/460	7
		1800	213/5T	<a href="#">01018ET3HCT215TF1-W2</a>	\$1,475	L1	192	1.25	9.92	91.7	19.517	575	
		1800	213/5T	<a href="#">01018ET3HCT215T-W22</a>	\$1,475	L1	192	1.25	9.92	91.7	19.517	575	7
		1800	213/5T	<a href="#">01018ET3PCT215TF1-W2</a>	\$1,475	L1	192	1.25	28.5	91.7	19.517	200	
		1800	213/5T	<a href="#">01018ET3PCT215T-W22</a>	\$1,475	L1	192	1.25	28.5	91.7	19.517	200	7
		1200	254/6T	<a href="#">01012ET3ECT256TF1-W2</a>	\$2,751	L1	331	1.25	12.9	91.0	24.945	230/460	
		1200	254/6T	<a href="#">01012ET3ECT256T-W22</a>	\$2,751	L1	331	1.25	12.9	91.0	24.945	230/460	7
		1200	254/6T	<a href="#">01012ET3HCT256T-W22</a>	\$2,751	L1	343	1.25	10.3	91.0	24.945	575	7,51
1200	254/6T	<a href="#">01012ET3PCT256T-W22</a>	\$2,751	L1	331	1.25	29.7	91.0	24.945	200	7		
15	11	1800	254T	<a href="#">01518ET3ECT254TF1-W2</a>	\$2,122	L1	341	1.25	18.0	92.4	23.213	230/460	
		1800	254T	<a href="#">01518ET3ECT254T-W22</a>	\$2,122	L1	341	1.25	18.0	92.4	23.213	230/460	7
		1800	254T	<a href="#">01518ET3HCT254TF1-W2</a>	\$2,122	L1	341	1.25	14.4	92.4	23.213	575	
		1800	254T	<a href="#">01518ET3HCT254T-W22</a>	\$2,122	L1	341	1.25	14.4	92.4	23.213	575	7
		1800	254T	<a href="#">01518ET3PCT254TF1-W2</a>	\$2,122	L1	342	1.25	41.4	92.4	23.213	200	
		1800	254T	<a href="#">01518ET3PCT254T-W22</a>	\$2,122	L1	342	1.25	41.4	92.4	23.213	200	7
		1200	284T	<a href="#">01512ET3ECT284T-W22</a>	\$3,850	L1	422	1.25	17.9	91.7	26.433	230/460	7
		1200	284T	<a href="#">01512ET3PCT284T-W22</a>	\$3,850	L1	423	1.25	41.2	91.7	26.433	200	7
20	15	1800	254/6T	<a href="#">02018ET3ECT256TF1-W2</a>	\$2,549	L1	403	1.25	24.1	93.0	24.945	230/460	
		1800	254/6T	<a href="#">02018ET3ECT256T-W22</a>	\$2,549	L1	387	1.25	24.1	93.0	24.945	230/460	7
		1800	254/6T	<a href="#">02018ET3HCT256TF1-W2</a>	\$2,549	L1	402	1.25	19.3	93.0	24.945	575	
		1800	254/6T	<a href="#">02018ET3HCT256T-W22</a>	\$2,549	L1	402	1.25	19.3	93.0	24.945	575	7
		1800	254/6T	<a href="#">02018ET3PCT256TF1-W2</a>	\$2,549	L1	403	1.25	55.4	93.0	24.945	200	
		1800	254/6T	<a href="#">02018ET3PCT256T-W22</a>	\$2,549	L1	403	1.25	55.4	93.0	24.945	200	7
		1200	284/6T	<a href="#">02012ET3ECT286T-W22</a>	\$4,635	L1	461	1.25	24.2	91.7	27.929	230/460	7
		1200	284/6T	<a href="#">02012ET3PCT286T-W22</a>	\$4,635	L1	503	1.25	55.7	91.7	27.929	200	7
25	18.5	1800	284T	<a href="#">02518ET3ECT284TF1-W2</a>	\$3,236	L1	441	1.25	29.5	93.6	26.433	230/460	
		1800	284T	<a href="#">02518ET3ECT284T-W22</a>	\$3,236	L1	441	1.25	29.5	93.6	26.433	230/460	7
		1800	284T	<a href="#">02518ET3HCT284TF1-W2</a>	\$3,236	L1	439	1.25	23.6	93.6	26.433	575	
		1800	284T	<a href="#">02518ET3HCT284T-W22</a>	\$3,236	L1	439	1.25	23.6	93.6	26.433	575	7
		1800	284T	<a href="#">02518ET3PCT284TF1-W2</a>	\$3,236	L1	440	1.25	67.9	93.6	26.433	200	
		1800	284T	<a href="#">02518ET3PCT284T-W22</a>	\$3,236	L1	440	1.25	67.9	93.6	26.433	200	7
		1200	324T	<a href="#">02512ET3ECT324T-W22</a>	\$5,543	L1	575	1.25	30.4	93.0	29.620	230/460	7
		1200	324T	<a href="#">02512ET3PCT324T-W22</a>	\$5,543	L1	574	1.25	69.9	93.0	29.620	200	7

*continued on next page*

Please refer to inside back cover for description of "NOTES"

For detailed specifications, data sheets, drawings and performance curves visit <http://www.weg.net>



## COOLING TOWER MOTORS - THREE-PHASE

### TEFC - Three-Phase - Foot Mount - NEMA Premium® - continued

HP	kW	RPM	Frame	Catalog Number	List Price	Mult. Symbol	Approx. Shipping Weight (lbs)	Service Factor	FL Amps @ High	FL. Eff (%)	"C" Dimension (in)	Voltage (V)	Notes
30	22	1800	284/6T	<a href="#">03018ET3ECT286TF1-W2</a>	<b>\$3,738</b>	L1	490	1.25	35.1	93.6	27.929	230/460	
		1800	284/6T	<a href="#">03018ET3ECT286T-W22</a>	<b>\$3,738</b>	L1	490	1.25	35.1	93.6	27.929	230/460	7
		1800	284/6T	<a href="#">03018ET3HCT286TF1-W2</a>	<b>\$3,738</b>	L1	489	1.25	28.1	93.6	27.929	575	
		1800	284/6T	<a href="#">03018ET3HCT286T-W22</a>	<b>\$3,738</b>	L1	489	1.25	28.1	93.6	27.929	575	7
		1800	284/6T	<a href="#">03018ET3PCT286TF1-W2</a>	<b>\$3,738</b>	L1	491	1.25	80.7	93.6	27.929	200	
		1800	284/6T	<a href="#">03018ET3PCT286T-W22</a>	<b>\$3,738</b>	L1	491	1.25	80.7	93.6	27.929	200	7
		1200	324/6T	<a href="#">03012ET3ECT326T-W22</a>	<b>\$6,064</b>	L1	673	1.25	36.2	93.0	31.116	230/460	7
		1200	324/6T	<a href="#">03012ET3PCT326T-W22</a>	<b>\$6,064</b>	L1	634	1.25	83.3	93.0	31.116	200	7
40	30	1800	324T	<a href="#">04018ET3ECT324TF1-W2</a>	<b>\$4,805</b>	L1	605	1.25	47.1	94.1	29.620	230/460	
		1800	324T	<a href="#">04018ET3ECT324T-W22</a>	<b>\$4,805</b>	L1	605	1.25	47.1	94.1	29.620	230/460	7
		1800	324T	<a href="#">04018ET3HCT324TF1-W2</a>	<b>\$4,805</b>	L1	603	1.25	37.7	94.1	29.620	575	
		1800	324T	<a href="#">04018ET3HCT324T-W22</a>	<b>\$4,805</b>	L1	603	1.25	37.7	94.1	29.620	575	7
		1800	324T	<a href="#">04018ET3PCT324TF1-W2</a>	<b>\$4,805</b>	L1	606	1.25	108	94.1	29.620	200	
		1800	324T	<a href="#">04018ET3PCT324T-W22</a>	<b>\$4,805</b>	L1	606	1.25	108	94.1	29.620	200	7
		1200	364/5T	<a href="#">04012ET3ECT364T-W22</a>	<b>\$8,376</b>	L1	1003	1.25	46.5	94.1	34.251	230/460	7
		1200	364/5T	<a href="#">04012ET3PCT364T-W22</a>	<b>\$8,376</b>	L1	1076	1.25	107	94.1	34.251	200	7
50	37	1800	324/6T	<a href="#">05018ET3ECT326TF1-W2</a>	<b>\$5,865</b>	L1	644	1.25	59.2	94.5	31.116	230/460	
		1800	324/6T	<a href="#">05018ET3ECT326T-W22</a>	<b>\$5,865</b>	L1	643	1.25	59.2	94.5	31.116	230/460	7
		1800	324/6T	<a href="#">05018ET3HCT326TF1-W2</a>	<b>\$5,865</b>	L1	644	1.25	47.4	94.5	31.116	575	
		1800	324/6T	<a href="#">05018ET3HCT326T-W22</a>	<b>\$5,865</b>	L1	644	1.25	47.4	94.5	31.116	575	7,51
		1800	324/6T	<a href="#">05018ET3PCT326T-W22</a>	<b>\$5,865</b>	L1	662	1.25	136	94.5	31.116	200	7
		1200	364/5T	<a href="#">05012ET3ECT365T-W22</a>	<b>\$9,625</b>	L1	1020	1.25	57.4	94.1	34.251	230/460	7
		1200	364/5T	<a href="#">05012ET3PCT365T-W22</a>	<b>\$9,625</b>	L1	1127	1.25	132	94.1	34.251	200	7
		60	45	1800	364/5T	<a href="#">06018ET3ECT364TF1-W2</a>	<b>\$8,497</b>	L1	1009	1.25	68.3	95.0	34.251
1800	364/5T			<a href="#">06018ET3ECT364T-W22</a>	<b>\$8,497</b>	L1	1029	1.25	68.3	95.0	34.251	230/460	7
1800	364/5T			<a href="#">06018ET3HCT364TF1-W2</a>	<b>\$8,497</b>	L1	1009	1.25	54.6	95.0	34.251	575	
1800	364/5T			<a href="#">06018ET3HCT364T-W22</a>	<b>\$8,497</b>	L1	1009	1.25	54.6	95.0	34.251	575	7
1800	364/5T			<a href="#">06018ET3PCT364T-W22</a>	<b>\$8,497</b>	L1	1036	1.25	157	95.0	34.251	200	7,51
1200	404/5T			<a href="#">06012ET3ECT404T-W22</a>	<b>\$11,861</b>	L1	1272	1.25	69.5	94.5	39.730	230/460	7
1200	404/5T			<a href="#">06012ET3PCT404T-W22</a>	<b>\$11,861</b>	L1	1346	1.25	160	94.5	39.730	200	7
75	55			1800	364/5T	<a href="#">07518ET3ECT365TF1-W2</a>	<b>\$9,924</b>	L1	1007	1.25	84.1	95.4	34.251
		1800	364/5T	<a href="#">07518ET3ECT365T-W22</a>	<b>\$9,924</b>	L1	1046	1.25	84.1	95.4	34.251	230/460	7
		1800	364/5T	<a href="#">07518ET3HCT365T-W22</a>	<b>\$9,924</b>	L1	1007	1.25	67.3	95.4	34.251	575	7,51
		1800	364/5T	<a href="#">07518ET3PCT365T-W22</a>	<b>\$9,924</b>	L1	1047	1.25	193	95.4	34.251	200	7
		1200	404/5T	<a href="#">07512ET3ECT405T-W22</a>	<b>\$13,626</b>	L1	1243	1.25	84.9	94.5	39.730	230/460	7
		1200	404/5T	<a href="#">07512ET3PCT405T-W22</a>	<b>\$13,626</b>	L1	1478	1.25	195	94.5	39.730	200	7
100	75	1800	404/5T	<a href="#">10018ET3ECT405T-W22</a>	<b>\$13,092</b>	L1	1303	1.25	111	95.4	39.730	230/460	7
		1800	404/5T	<a href="#">10018ET3PCT405T-W22</a>	<b>\$13,092</b>	L1	1302	1.25	255	95.4	39.730	200	7
		1200	444/5T	<a href="#">10012ET3ECT444T-W22</a>	<b>\$17,194</b>	L1	2006	1.25	121	95.0	44.950	230/460	7
		1200	444/5T	<a href="#">10012ET3PCT444T-W22</a>	<b>\$17,194</b>	L1	2006	1.25	278	95.0	44.950	200	7

Air Handling Motors

Please refer to inside back cover for description of "NOTES"

For detailed specifications, data sheets, drawings and performance curves visit <http://www.weg.net>

Data subject to change without notice.

Can't find what you are looking for? Call 1-800-ASK-4WEG (275-4934)

# Air Handling Motors



## COOLING TOWER MOTORS - THREE-PHASE

### TEAO - Three-Phase - Foot Mount - NEMA Premium®



HP	kW	RPM	Frame	Catalog Number	List Price	Mult. Symbol	Approx. Shipping Weight (lbs)	Service Factor	FL Amps @ High	FL Eff (%)	"C" Dimension (in)	Voltage (V)	Notes
1	0.75	1800	143T	00118AT3PCT143T-W22	\$666	L1	54	1.25	3.38	85.5	12.353	200	7
1.5	1.1	1800	143/5T	00158AT3PCT145T-W22	\$696	L1	56	1.25	4.65	86.5	13.338	200	7
2	1.5	1800	143/5T	00218AT3ECT145TF1-W2	\$775	L1	58	1.25	2.76	86.5	13.338	230/460	
		1800	143/5T	00218AT3ECT145T-W22	\$775	L1	58	1.25	2.76	86.5	13.338	230/460	7
		1800	143/5T	00218AT3PCT145T-W22	\$775	L1	58	1.25	6.35	86.5	13.338	200	7
		1200	182/4T	00212AT3ECT184TF1-W2	\$1,010	L1	105	1.25	3.23	88.5	15.298	230/460	
		1200	182/4T	00212AT3ECT184T-W22	\$1,010	L1	97	1.25	3.23	88.5	15.298	230/460	
		1200	182/4T	00212AT3HCT184TF1-W2	\$1,010	L1	97	1.25	2.58	88.5	15.298	575	
		1200	182/4T	00212AT3HCT184T-W22	\$1,010	L1	97	1.25	2.58	88.5	15.298	575	7
		1200	182/4T	00212AT3PCT184TF1-W2	\$1,010	L1	106	1.25	7.43	88.5	15.298	200	
		1200	182/4T	00212AT3PCT184T-W22	\$1,010	L1	97	1.25	7.43	88.5	15.298	200	7,51
3	2.2	1800	182T	00318AT3ECT182TF1-W2	\$804	L1	94	1.25	3.91	89.5	14.298	230/460	
		1800	182T	00318AT3ECT182T-W22	\$804	L1	94	1.25	3.91	89.5	14.298	230/460	7
		1800	182T	00318AT3HCT182T-W22	\$804	L1	96	1.25	3.13	89.5	14.298	575	7
		1800	182T	00318AT3PCT182TF1-W2	\$804	L1	99	1.25	8.99	89.5	14.298	200	
		1800	182T	00318AT3PCT182T-W22	\$804	L1	94	1.25	8.99	89.5	14.298	200	7
		1200	213T	00312AT3ECT213TF1-W2	\$1,369	L1	157	1.25	4.41	89.5	17.239	230/460	
		1200	213T	00312AT3ECT213T-W22	\$1,369	L1	134	1.25	4.41	89.5	17.239	230/460	7
		1200	213T	00312AT3HCT213T-W22	\$1,369	L1	134	1.25	3.53	89.5	17.239	575	7
		1200	213T	00312AT3PCT213TF1-W2	\$1,369	L1	159	1.25	10.1	89.5	17.239	200	
1200	213T	00312AT3PCT213T-W22	\$1,369	L1	134	1.25	10.1	89.5	17.239	200	7		
5	3.7	1800	182/4T	00518AT3ECT184TF1-W2	\$921	L1	107	1.25	6.45	89.5	15.298	230/460	
		1800	182/4T	00518AT3ECT184T-W22	\$921	L1	107	1.25	6.45	89.5	15.298	230/460	7
		1800	182/4T	00518AT3HCT184TF1-W2	\$921	L1	107	1.25	5.16	89.5	15.298	575	
		1800	182/4T	00518AT3HCT184T-W22	\$921	L1	104	1.25	5.16	89.5	15.298	575	7
		1800	182/4T	00518AT3PCT184TF1-W2	\$921	L1	107	1.25	14.8	89.5	15.298	200	
		1800	182/4T	00518AT3PCT184T-W22	\$921	L1	107	1.25	14.8	89.5	15.298	200	7
		1200	213/5T	00512AT3ECT215TF1-W2	\$1,563	L1	182	1.25	6.83	89.5	18.739	230/460	
		1200	213/5T	00512AT3ECT215T-W22	\$1,563	L1	175	1.25	6.83	89.5	18.739	230/460	7
		1200	213/5T	00512AT3HCT215TF1-W2	\$1,563	L1	175	1.25	5.46	89.5	18.739	575	
		1200	213/5T	00512AT3HCT215T-W22	\$1,563	L1	175	1.25	5.46	89.5	18.739	575	7
		1200	213/5T	00512AT3PCT215TF1-W2	\$1,563	L1	183	1.25	15.7	89.5	18.739	200	
1200	213/5T	00512AT3PCT215T-W22	\$1,563	L1	175	1.25	15.7	89.5	18.739	200	7		
7.5	5.5	1800	213T	00718AT3ECT213TF1-W2	\$1,332	L1	170	1.25	9.18	91.7	17.239	230/460	
		1800	213T	00718AT3ECT213T-W22	\$1,332	L1	170	1.25	9.18	91.7	17.239	230/460	7
		1800	213T	00718AT3HCT213TF1-W2	\$1,332	L1	169	1.25	7.34	91.7	17.239	575	
		1800	213T	00718AT3HCT213T-W22	\$1,332	L1	169	1.25	7.34	91.7	17.239	575	7
		1800	213T	00718AT3PCT213TF1-W2	\$1,332	L1	170	1.25	21.1	91.7	17.239	200	
		1800	213T	00718AT3PCT213T-W22	\$1,332	L1	170	1.25	21.1	91.7	17.239	200	7
		1200	254T	00712AT3ECT254TF1-W2	\$2,506	L1	297	1.25	9.48	91.0	21.594	230/460	39
		1200	254T	00712AT3PCT254TF1-W2	\$2,506	L1	299	1.25	21.8	91.0	21.594	200	39

continued on next page

Please refer to inside back cover for description of "NOTES"

For detailed specifications, data sheets, drawings and performance curves visit <http://www.weg.net>



## COOLING TOWER MOTORS - THREE-PHASE

### TEAO - Three-Phase - Foot Mount - NEMA Premium® - continued

HP	kW	RPM	Frame	Catalog Number	List Price	Mult. Symbol	Approx. Shipping Weight (lbs)	Service Factor	FL Amps @ High	FL. Eff (%)	"C" Dimension (in)	Voltage (V)	Notes
10	7.5	1800	213/5T	<a href="#">01018AT3ECT215TF1-W2</a>	\$1,519	L1	192	1.25	12.4	91.7	18.739	230/460	
		1800	213/5T	<a href="#">01018AT3ECT215T-W22</a>	\$1,519	L1	192	1.25	12.4	91.7	18.739	230/460	7
		1800	213/5T	<a href="#">01018AT3HCT215TF1-W2</a>	\$1,519	L1	191	1.25	9.92	91.7	18.739	575	
		1800	213/5T	<a href="#">01018AT3HCT215T-W22</a>	\$1,519	L1	191	1.25	9.92	91.7	18.739	575	7
		1800	213/5T	<a href="#">01018AT3PCT215TF1-W2</a>	\$1,519	L1	191	1.25	28.5	91.7	18.739	200	
		1800	213/5T	<a href="#">01018AT3PCT215T-W22</a>	\$1,519	L1	191	1.25	28.5	91.7	18.739	200	7
		1200	254/6T	<a href="#">01012AT3ECT256TF1-W2</a>	\$2,919	L1	317	1.25	12.9	91.0	23.343	230/460	
		1200	254/6T	<a href="#">01012AT3PCT256TF1-W2</a>	\$2,919	L1	333	1.25	29.7	91.0	23.343	200	
		1200	254/6T	<a href="#">01012AT3PCT256T-W22</a>	\$2,919	L1	333	1.25	29.7	91.0	23.343	200	7
15	11	1800	254T	<a href="#">01518AT3ECT254TF1-W2</a>	\$2,186	L1	327	1.25	18.0	92.4	21.594	230/460	
		1800	254T	<a href="#">01518AT3ECT254T-W22</a>	\$2,186	L1	327	1.25	18.0	92.4	21.594	230/460	7
		1800	254T	<a href="#">01518AT3HCT254TF1-W2</a>	\$2,186	L1	327	1.25	14.4	92.4	21.594	575	
		1800	254T	<a href="#">01518AT3HCT254T-W22</a>	\$2,186	L1	327	1.25	14.4	92.4	21.594	575	7
		1800	254T	<a href="#">01518AT3PCT254TF1-W2</a>	\$2,186	L1	328	1.25	41.4	92.4	21.594	200	
		1800	254T	<a href="#">01518AT3PCT254T-W22</a>	\$2,186	L1	328	1.25	41.4	92.4	21.594	200	7
		1200	284T	<a href="#">01512AT3ECT284TF1-W2</a>	\$3,965	L1	420	1.25	17.9	91.7	25.418	230/460	
20	15	1800	254/6T	<a href="#">02018AT3ECT256TF1-W2</a>	\$2,625	L1	389	1.25	24.1	93.0	23.343	230/460	
		1800	254/6T	<a href="#">02018AT3ECT256T-W22</a>	\$2,625	L1	389	1.25	24.1	93.0	23.343	230/460	7
		1800	254/6T	<a href="#">02018AT3HCT256TF1-W2</a>	\$2,625	L1	388	1.25	19.3	93.0	23.343	575	
		1800	254/6T	<a href="#">02018AT3HCT256T-W22</a>	\$2,625	L1	388	1.25	19.3	93.0	23.343	575	7
		1800	254/6T	<a href="#">02018AT3PCT256TF1-W2</a>	\$2,625	L1	389	1.25	55.4	93.0	23.343	200	
		1800	254/6T	<a href="#">02018AT3PCT256T-W22</a>	\$2,625	L1	389	1.25	55.4	93.0	23.343	200	7
		1200	284/6T	<a href="#">02012AT3ECT286TF1-W2</a>	\$4,576	L1	443	1.25	24.2	91.7	26.918	230/460	
25	18.5	1800	284T	<a href="#">02518AT3ECT284TF1-W2</a>	\$3,333	L1	423	1.25	29.5	93.6	25.418	230/460	
		1800	284T	<a href="#">02518AT3ECT284T-W22</a>	\$3,333	L1	423	1.25	29.5	93.6	25.418	230/460	7
		1800	284T	<a href="#">02518AT3HCT284TF1-W2</a>	\$3,333	L1	422	1.25	23.6	93.6	25.418	575	
		1800	284T	<a href="#">02518AT3HCT284T-W22</a>	\$3,333	L1	422	1.25	23.6	93.6	25.418	575	7
		1800	284T	<a href="#">02518AT3PCT284TF1-W2</a>	\$3,333	L1	422	1.25	67.9	93.6	25.418	200	
		1800	284T	<a href="#">02518AT3PCT284T-W22</a>	\$3,333	L1	422	1.25	67.9	93.6	25.418	200	7
		1200	324T	<a href="#">02512AT3ECT324TF1-W2</a>	\$5,709	L1	555	1.25	30.4	93.0	28.575	230/460	
1200	324T	<a href="#">02512AT3HCT324TF1-W2</a>	\$5,709	L1	605	1.25	24.3	93.0	28.575	575			
30	22	1800	284/6T	<a href="#">03018AT3ECT286TF1-W2</a>	\$3,850	L1	473	1.25	35.1	93.6	26.918	230/460	
		1800	284/6T	<a href="#">03018AT3ECT286T-W22</a>	\$3,850	L1	473	1.25	35.1	93.6	26.918	230/460	7
		1800	284/6T	<a href="#">03018AT3HCT286TF1-W2</a>	\$3,850	L1	471	1.25	28.1	93.6	26.918	575	
		1800	284/6T	<a href="#">03018AT3HCT286T-W22</a>	\$3,850	L1	469	1.25	28.1	93.6	26.918	575	7
		1800	284/6T	<a href="#">03018AT3PCT286TF1-W2</a>	\$3,850	L1	473	1.25	80.7	93.6	26.918	200	
		1800	284/6T	<a href="#">03018AT3PCT286T-W22</a>	\$3,850	L1	473	1.25	80.7	93.6	26.918	200	7
		1200	324/6T	<a href="#">03012AT3PCT326TF1-W2</a>	\$6,246	L1	673	1.25	83.3	93.0	30.071	200	
40	30	1800	324T	<a href="#">04018AT3ECT324TF1-W2</a>	\$4,949	L1	586	1.25	47.1	94.1	28.575	230/460	
		1800	324T	<a href="#">04018AT3ECT324T-W22</a>	\$4,949	L1	586	1.25	47.1	94.1	28.575	230/460	7
		1800	324T	<a href="#">04018AT3HCT324TF1-W2</a>	\$4,949	L1	584	1.25	37.7	94.1	28.575	575	
		1800	324T	<a href="#">04018AT3HCT324T-W22</a>	\$4,949	L1	580	1.25	37.7	94.1	28.575	575	7
		1800	324T	<a href="#">04018AT3PCT324TF1-W2</a>	\$4,949	L1	576	1.25	108	94.1	28.575	200	
		1800	324T	<a href="#">04018AT3PCT324T-W22</a>	\$4,949	L1	581	1.25	108	94.1	28.575	200	7
50	37	1800	324/6T	<a href="#">05018AT3ECT326T-W22</a>	\$6,041	L1	662	1.25	59.2	94.5	30.071	230/460	7
		1800	324/6T	<a href="#">05018AT3HCT326T-W22</a>	\$6,041	L1	662	1.25	47.3	94.5	30.071	575	7
		1800	324/6T	<a href="#">05018AT3PCT326T-W22</a>	\$6,041	L1	662	1.25	136	94.5	30.071	200	7
60	45	1800	<a href="#">06018AT3ECT364T-W22</a>	\$8,752	L1	1036	1.25	68.3	95.0	29.390	230/460	7	
75	55	1800	<a href="#">07518AT3ECT365T-W22</a>	\$10,222	L1	1047	1.25	84.1	95.4	29.390	230/460	7	
100	75	1800	404/5T	<a href="#">10018AT3ECT405TF1-W2</a>	11412	L1	1268	1.25	87.2	95.4	36.417	230/460	
		1800	404/5T	<a href="#">10018AT3ECT405T-W22</a>	11412	L1	1268	1.25	87.2	95.4	36.417	230/460	7

Air Handling Motors

Please refer to inside back cover for description of "NOTES"

For detailed specifications, data sheets, drawings and performance curves visit <http://www.weg.net>

Data subject to change without notice.

Can't find what you are looking for? Call 1-800-ASK-4WEG (275-4934)

# Air Handling Motors

## COOLING TOWER MOTORS - THREE-PHASE



### TEFC - Dual Speed (1 & 2 Windings) - High Efficiency

HP	kW	RPM	Frame	Catalog Number	List Price	Mult. Symbol	Approx. Shipping Weight (lbs)	Service Factor	FL Amps @ High	FL. Eff (%)	"C" Dimension (in)	Voltage (V)	Notes
2/0.50	1.5/0.37	1800/900	143/5T	00289EP3PCT145VF1-W2	\$929	H1	53	1.25	6.40	82.5	13.358	200	23;30
		1800/900	143/5T	00289EP3PCT145V-W22	\$929	H1	56	1.25	6.40	82.5	13.358	200	7;23;30
		1200/600	213T	00226EP3QCT213VF1-W2	\$2,021	H1	53	1.15	3.35	84.0	18.021	460	23;30
		1200/600	213T	00226EP3QCT213V-W22	\$2,021	H1	53	1.15	3.35	84.0	18.021	460	7;23;30
3/0.75	2.2/0.55	1800/900	182T	00389EP3QCT182VF1-W2	\$1,369	H1	100	1.25	3.99	87.5	14.860	460	23;30
		1800/900	182T	00389EP3QCT182V-W22	\$1,369	H1	94	1.25	3.99	87.5	14.860	460	7;23;30
		1800/900	182T	00389EP3PCT182VF1-W2	\$1,369	H1	95	1.25	9.18	87.5	14.860	200	23;30
		1800/900	182T	00389EP3PCT182V-W22	\$1,369	H1	100	1.25	9.18	87.5	14.860	200	7;23;30
		1200/600	213/5T	00326EP3QCT215V-W22	\$2,125	H1	100	1.15	4.11	84.0	19.517	460	7;23;30
5/1.25	3.7/0.92	1800/900	182/4T	00589EP3QCT184VF1-W2	\$1,471	H1	105	1.25	6.63	87.5	15.860	460	23;30
		1800/900	182/4T	00589EP3QCT184V-W22	\$1,471	H1	104	1.25	6.63	87.5	15.860	460	7;23;30
		1800/900	182/4T	00589EP3HCT184VF1-W2	\$1,471	H1	104	1.25	5.30	87.5	15.860	575	23;30
		1800/900	182/4T	00589EP3HCT184V-W22	\$1,471	H1	104	1.25	5.30	87.5	15.860	575	7;23;30
		1800/900	182/4T	00589EP3PCT184VF1-W2	\$1,471	H1	104	1.25	15.2	87.5	15.860	200	23;30
		1800/900	182/4T	00589EP3PCT184V-W22	\$1,471	H1	104	1.25	15.2	87.5	15.860	200	7;23;30
		1800/900	213/5T	00589EP3QCT215V2F1-W	\$2,262	H1	181	1.25	6.55	88.5	19.517	460	22;30
		1800/900	213/5T	00589EP3QCT215V2-W22	\$2,262	H1	181	1.25	6.55	88.5	19.517	460	7;22;30
		1800/900	213/5T	00589EP3PCT215V2F1-W	\$2,262	H1	181	1.25	15.1	88.5	19.517	200	22;30
		1200/600	254T	00526EP3QCT254VF1-W2	\$2,424	H1	121	1.15	7.06	86.5	23.213	460	23;30
1200/600	254T	00526EP3QCT254V-W22	\$2,424	H1	121	1.15	7.06	86.5	23.213	460	7;23;30		
7.5/1.75	5.5/1.3	1800/900	213T	00789EP3QCT213VF1-W2	\$1,672	H1	168	1.25	9.51	88.5	18.021	460	23;30
		1800/900	213T	00789EP3QCT213V-W22	\$1,672	H1	168	1.25	9.51	88.5	18.021	460	7;23;30
		1800/900	213T	00789EP3HCT213V-W22	\$1,672	H1	164	1.25	7.61	88.5	18.021	575	7;23;30
		1800/900	213T	00789EP3PCT213VF1-W2	\$1,672	H1	164	1.25	21.9	88.5	18.021	200	23;30
		1800/900	213T	00789EP3PCT213V-W22	\$1,672	H1	164	1.25	21.9	88.5	18.021	200	7;23;30
		1800/900	254T	00789EP3QCT254V2F1-W	\$2,808	H1	302	1.25	9.75	88.5	23.213	460	22;30
		1800/900	254T	00789EP3QCT254V2-W22	\$2,808	H1	302	1.25	9.75	88.5	23.213	460	7;22;30
		1800/900	254T	00789EP3PCT254V2F1-W	\$2,808	H1	302	1.25	22.4	88.5	23.213	200	22;30
		1800/900	254T	00789EP3PCT254V2-W22	\$2,808	H1	302	1.25	22.4	88.5	23.213	200	7;22;30
		1200/600	254/6T	00726EP3QCT256V-W22	\$2,496	H1	181	1.15	10.1	87.5	24.945	460	7;23;30
10/2.5	7.5/1.85	1800/900	213/5T	01089EP3QCT215VF1-W2	\$1,891	H1	181	1.25	13.0	88.5	19.517	460	23;30
		1800/900	213/5T	01089EP3QCT215V-W22	\$1,891	H1	181	1.25	13.0	88.5	19.517	460	7;23;30
		1800/900	213/5T	01089EP3HCT215VF1-W2	\$1,891	H1	168	1.25	10.4	88.5	19.517	575	23;30
		1800/900	213/5T	01089EP3HCT215V-W22	\$1,891	H1	168	1.25	10.4	88.5	19.517	575	7;23;30
		1800/900	213/5T	01089EP3PCT215VF1-W2	\$1,891	H1	168	1.25	29.9	88.5	19.517	200	23;30
		1800/900	213/5T	01089EP3PCT215V-W22	\$1,891	H1	168	1.25	29.9	88.5	19.517	200	7;23;30
		1800/900	254/6T	01089EP3QCT256V2F1-W	\$3,052	H1	346	1.25	13.0	89.5	24.945	460	22;30
		1800/900	254/6T	01089EP3QCT256V2-W22	\$3,052	H1	363	1.25	13.0	89.5	24.945	460	7;22;30
		1800/900	254/6T	01089EP3PCT256V2F1-W	\$3,052	H1	346	1.25	29.9	89.5	24.945	200	22;30
		1800/900	254/6T	01089EP3PCT256V2-W22	\$3,052	H1	346	1.25	29.9	89.5	24.945	200	7;22;30
1200/600	284T	01026EP3QCT284V-W22	\$3,017	H1	377	1.15	12.2	89.5	26.433	460	7;23;30		

continued on next page

Please refer to inside back cover for description of "NOTES"

For detailed specifications, data sheets, drawings and performance curves visit <http://www.weg.net>

Air Handling Motors





## COOLING TOWER MOTORS - THREE-PHASE

### TEFC - Dual Speed (1 & 2 Windings) - High Efficiency - *continued*

HP	kW	RPM	Frame	Catalog Number	List Price	Mult. Symbol	Approx. Shipping Weight (lbs)	Service Factor	FL Amps @ High	FL Eff (%)	"C" Dimension (in)	Voltage (V)	Notes
15/3.75	11/2.8	1800/900	254T	01589EP3QCT254VF1-W2	\$2,572	H1	324	1.25	19.0	89.5	23.213	460	23;30
		1800/900	254T	01589EP3QCT254V-W22	\$2,572	H1	324	1.25	19.0	89.5	23.213	460	7;23;30
		1800/900	254T	01589EP3HCT254VF1-W2	\$2,572	H1	324	1.25	15.2	89.5	23.213	575	23;30
		1800/900	254T	01589EP3HCT254V-W22	\$2,572	H1	288	1.25	15.2	89.5	23.213	575	7;23;30
		1800/900	254T	01589EP3PCT254VF1-W2	\$2,572	H1	288	1.25	43.8	89.5	23.213	200	23;30
		1800/900	254T	01589EP3PCT254V-W22	\$2,572	H1	288	1.25	43.8	89.5	23.213	200	7;23;30
		1800/900	284T	01589EP3QCT284V2F1-W	\$3,878	H1	439	1.25	18.7	90.2	26.433	460	22;30
		1800/900	284T	01589EP3QCT284V2-W22	\$3,878	H1	435	1.25	18.7	90.2	26.433	460	7;22;30
		1800/900	284T	01589EP3PCT284V2F1-W	\$3,878	H1	435	1.25	43.0	90.2	26.433	200	22;30
		1800/900	284T	01589EP3PCT284V2-W22	\$3,878	H1	435	1.25	43.0	90.2	26.433	200	7;22;30
		1200/600	284/6T	01526EP3QCT286VF1-W2	\$3,274	H1	271	1.15	18.0	90.2	27.929	460	23;30
		1200/600	284/6T	01526EP3QCT286V-W22	\$3,274	H1	271	1.15	18.0	90.2	27.929	460	7;23;30
		1200/600	284/6T	01526EP3HCT286VF1-W2	\$3,274	H1	271	1.15	14.4	90.2	27.929	575	23;30
		1200/600	284/6T	01526EP3HCT286V-W22	\$3,274	H1	271	1.15	14.4	90.2	27.929	575	7;23;30
		1200/600	284/6T	01526EP3PCT286VF1-W2	\$3,274	H1	271	1.15	41.4	90.2	27.929	200	23;30
		1200/600	284/6T	01526EP3PCT286V-W22	\$3,274	H1	271	1.15	41.4	90.2	27.929	200	7;23;30
20/5	15/3.7	1800/900	254/6T	02089EP3QCT256VF1-W2	\$2,923	H1	360	1.25	26.1	90.2	24.945	460	23;30
		1800/900	254/6T	02089EP3QCT256V-W22	\$2,923	H1	360	1.25	26.1	90.2	24.945	460	7;23;30
		1800/900	254/6T	02089EP3HCT256VF1-W2	\$2,923	H1	335	1.25	20.9	90.2	24.945	575	23;30;51
		1800/900	254/6T	02089EP3HCT256V-W22	\$2,923	H1	335	1.25	20.9	90.2	24.945	575	7;23;30
		1800/900	254/6T	02089EP3PCT256VF1-W2	\$2,923	H1	362	1.25	60.0	90.2	24.945	200	23;30
		1800/900	254/6T	02089EP3PCT256V-W22	\$2,923	H1	335	1.25	60.0	90.2	24.945	200	7;23;30
		1800/900	284/6T	02089EP3QCT286V2F1-W	\$4,827	H1	503	1.25	24.9	91.0	27.929	460	22;30
		1800/900	284/6T	02089EP3QCT286V2-W22	\$4,827	H1	503	1.25	24.9	91.0	27.929	460	7;22;30
		1800/900	284/6T	02089EP3PCT286V2F1-W	\$4,827	H1	512	1.25	57.3	91.0	27.929	200	22;30
		1800/900	284/6T	02089EP3PCT286V2-W22	\$4,827	H1	512	1.25	57.3	91.0	27.929	200	7;22;30
		1200/600	324T	02026EP3QCT324V-W22	\$4,101	H1	318	1.15	24.8	90.2	29.620	460	7;23;30
		25/6.3	18.5/4.6	1800/900	284/6T	02589EP3QCT286VF1-W2	\$4,199	H1	500	1.25	29.4	91.7	27.929
1800/900	284/6T			02589EP3QCT286V-W22	\$4,199	H1	512	1.25	29.4	91.7	27.929	460	7;23;30
1800/900	284/6T			02589EP3HCT286VF1-W2	\$4,199	H1	500	1.25	23.5	91.7	27.929	575	23;30
1800/900	284/6T			02589EP3HCT286V-W22	\$4,199	H1	512	1.25	23.5	91.7	27.929	575	7;23;30
1800/900	284/6T			02589EP3PCT286VF1-W2	\$4,199	H1	512	1.25	67.6	91.7	27.929	200	23;30
1800/900	324T			02589EP3QCT324V2F1-W	\$5,826	H1	531	1.25	30.9	91.7	29.620	460	22;30
1800/900	324T			02589EP3QCT324V2-W22	\$5,826	H1	580	1.25	30.9	91.7	29.620	460	7;22;30
1800/900	324T			02589EP3PCT324V2F1-W	\$5,826	H1	531	1.25	71.1	91.7	29.620	200	22;30
1800/900	324T			02589EP3PCT324V2-W22	\$5,826	H1	531	1.25	71.1	91.7	29.620	200	7;22;30
1200/600	324/6T			02526EP3QCT326V-W22	\$6,222	H1	512	1.15	29.9	90.2	31.116	460	7;23;30;51

Air Handling Motors

*continued on next page*

Please refer to inside back cover for description of "NOTES"

For detailed specifications, data sheets, drawings and performance curves visit <http://www.weg.net>

Data subject to change without notice.

Can't find what you are looking for? Call 1-800-ASK-4WEG (275-4934)

## COOLING TOWER MOTORS - THREE-PHASE

### TEFC - Dual Speed (1 & 2 Windings) - High Efficiency - *continued*

HP	kW	RPM	Frame	Catalog Number	List Price	Mult. Symbol	Approx. Shipping Weight (lbs)	Service Factor	FL Amps @ High	FL Eff (%)	"C" Dimension (in)	Voltage (V)	Notes
30/7.5	22/5.5	1800/900	324T	03089EP3QCT324VF1-W2	\$4,725	H1	578	1.25	37.2	91.7	29.620	460	23;30
		1800/900	324T	03089EP3QCT324V-W22	\$4,725	H1	578	1.25	37.2	91.7	29.620	460	7;23;30
		1800/900	324T	03089EP3HCT324VF1-W2	\$4,725	H1	542	1.25	29.8	91.7	29.620	575	23;30
		1800/900	324T	03089EP3HCT324V-W22	\$4,725	H1	542	1.25	29.8	91.7	29.620	575	7;23;30
		1800/900	324T	03089EP3PCT324VF1-W2	\$4,725	H1	581	1.25	85.5	91.7	29.620	200	23;30
		1800/900	324T	03089EP3PCT324V-W22	\$4,725	H1	542	1.25	85.5	91.7	29.620	200	7;23;30
		1800/900	324/6T	03089EP3QCT326V2F1-W	\$6,995	H1	625	1.25	37.4	92.4	31.116	460	22;30
		1800/900	324/6T	03089EP3QCT326V2-W22	\$6,995	H1	625	1.25	37.4	92.4	31.116	460	7;22;30
		1800/900	324/6T	03089EP3PCT326V2F1-W	\$6,995	H1	625	1.25	86.0	92.4	31.116	200	22;30
		1800/900	324/6T	03089EP3PCT326V2-W22	\$6,995	H1	625	1.25	86.0	92.4	31.116	200	7;22;30
		1200/600	364/5T	03026EP3QCT364V-W22	\$7,435	H1	542	1.15	35.4	91.7	34.251	460	7;23;30
40/10	30/7.5	1800/900	324/6T	04089EP3QCT326VF1-W2	\$5,464	H1	640	1.25	47.9	92.4	31.116	460	23;30
		1800/900	324/6T	04089EP3QCT326V-W22	\$5,464	H1	625	1.25	47.9	92.4	31.116	460	7;23;30
		1800/900	324/6T	04089EP3HCT326VF1-W2	\$5,464	H1	625	1.25	38.3	92.4	31.116	575	23;30;51
		1800/900	324/6T	04089EP3HCT326V-W22	\$5,464	H1	625	1.25	38.3	92.4	31.116	575	7;23;30
		1800/900	324/6T	04089EP3PCT326VF1-W2	\$5,464	H1	625	1.25	110	92.4	31.116	200	23;30
		1800/900	324/6T	04089EP3PCT326V-W22	\$5,464	H1	625	1.25	110	92.4	31.116	200	7;23;30
		1800/900	364/5T	04089EP3QCT364V2F1-W	\$8,720	H1	986	1.25	46.8	92.4	34.251	460	22;30
		1800/900	364/5T	04089EP3QCT364V2-W22	\$8,720	H1	1029	1.25	46.8	92.4	34.251	460	7;22;30
		1800/900	364/5T	04089EP3PCT364V2F1-W	\$8,720	H1	1029	1.25	108	92.4	34.251	200	22;30;51
		1800/900	364/5T	04089EP3PCT364V2-W22	\$8,720	H1	1029	1.25	108	92.4	34.251	200	7;22;30
		1200/600	364/5T	04026EP3QCT365VF1-W2	\$9,302	H1	965	1.25	48.9	91.7	34.251	460	23;30
1200/600	364/5T	04026EP3QCT365V-W22	\$9,302	H1	625	1.15	48.9	91.7	34.251	460	7;23;30		
50/12.5	37/9.2	1800/900	364/5T	05089EP3QCT364VF1-W2	\$7,526	H1	968	1.25	59.8	92.4	34.251	460	23;30
		1800/900	364/5T	05089EP3QCT364V-W22	\$7,526	H1	968	1.25	59.8	92.4	34.251	460	7;23;30
		1800/900	364/5T	05089EP3QCT365V2F1-W	\$11,093	H1	1042	1.25	57.0	92.5	34.251	460	22;30
		1800/900	364/5T	05089EP3QCT365V2-W22	\$11,093	H1	1102	1.25	57.0	92.5	34.251	460	7;22;30
		1800/900	364/5T	05089EP3HCT364VF1-W2	\$7,526	H1	1051	1.25	47.8	92.4	34.251	575	23;30
		1800/900	364/5T	05089EP3HCT364V-W22	\$7,526	H1	1051	1.25	47.8	92.4	34.251	575	7;23;30
		1800/900	364/5T	05089EP3PCT364VF1-W2	\$7,526	H1	1051	1.25	138	92.4	34.251	200	23;30
		1800/900	364/5T	05089EP3PCT364V-W22	\$7,526	H1	1051	1.25	138	92.4	34.251	200	7;23;30
		1800/900	364/5T	05089EP3PCT365V2F1-W	\$11,093	H1	1102	1.25	131	92.5	34.251	200	22;30
		1800/900	364/5T	05089EP3PCT365V2-W22	\$11,093	H1	1102	1.25	131	92.5	34.251	200	7;22;30
		1200/600	364/5T	05026EP3QCT365VF1-W2	\$11,051	H1	1051	1.15	59.6	91.7	34.251	460	23;30
1200/600	364/5T	05026EP3QCT365V-W22	\$11,051	H1	1051	1.15	59.6	91.7	34.251	460	7;23;30		
60/15	45/11	1800/900	364/5T	06089EP3QCT365VF1-W2	\$11,068	H1	997	1.25	72.3	93.0	34.251	460	23;30
		1800/900	364/5T	06089EP3QCT365V-W22	\$11,068	H1	1015	1.25	72.3	93.0	34.251	460	7;23;30
		1800/900	364/5T	06089EP3PCT365VF1-W2	\$11,068	H1	1102	1.25	166	93.0	34.251	200	23;30
		1800/900	364/5T	06089EP3PCT365V-W22	\$11,068	H1	1102	1.25	166	93.0	34.251	200	7;23;30
75/18.5	55/13.6	1800/900	404/5T	07589EP3QCT404VF1-W2	\$14,226	H1	1294	1.25	85.3	93.0	39.730	460	23;30
		1800/900	404/5T	07589EP3QCT404V-W22	\$14,226	H1	1294	1.25	85.3	93.0	39.730	460	7;23;30
		1800/900	404/5T	07589EP3PCT404VF1-W2	\$14,226	H1	1245	1.25	196	93.0	39.730	200	23;30
		1800/900	404/5T	07589EP3PCT404V-W22	\$14,226	H1	1245	1.25	196	93.0	39.730	200	7;23;30
100/25	75/18.5	1800/900	444/5T	10089EP3QCT444VF1-W2	\$16,398	H1	2149	1.25	119	94.1	44.950	460	23;30
		1800/900	444/5T	10089EP3QCT444V-W22	\$16,398	H1	2162	1.25	119	94.1	44.950	460	7;23;30
		1800/900	444/5T	10089EP3PCT444VF1-W2	\$16,398	H1	2149	1.25	274	94.1	44.950	200	23;30
		1800/900	444/5T	10089EP3PCT444V-W22	\$16,398	H1	2149	1.25	274	94.1	44.950	200	7;23;30

Please refer to inside back cover for description of "NOTES"

For detailed specifications, data sheets, drawings and performance curves visit <http://www.weg.net>

# Air Handling Motors

## PAD MOUNT MOTORS

### Three-Phase TEAO - NEMA Premium®

These TEAO motors are supplied with a detached terminal box and extended leads for remote installation.

#### Standard Features:

- Class F insulation (Impregnation Resin and magnet Wire are class H)
- Stainless Steel Nameplate - Laser etched with high contrast background
- Regreasable ball bearings (Frame 254Y and up)



#### Features that make a difference:

- 1.25 Service Factor
- Detached terminal box and extended leads
- Two stainless steel plates provided

#### Inverter Rated:

**1000 : 1 for variable torque**



# Air Handling Motors

## PAD MOUNT MOTORS - THREE-PHASE



### TEAO - NEMA Premium

HP	kW	RPM	Frame	Catalog Number	List Price	Mult. Symbol	Approx. Shipping Weight (lbs)	Service Factor	FL Amps @ High	FL. Eff (%)	"C" Dimension (in)	Voltage (V)	Notes
1	0.75	3600	145Y	<a href="#">00136ET3EPM143/5Y-W2</a>	\$565	Y1	42	1.25	1.44	81.5	12.110	230/460	
		1800	145Y	<a href="#">00118ET3EPM143/5Y-W2</a>	\$594	Y1	47	1.25	1.47	85.5	12.110	230/460	
1.5	1.1	3600	145Y	<a href="#">00156ET3EPM143/5Y-W2</a>	\$613	Y1	47	1.25	1.96	84.0	12.110	230/460	
		1800	145Y	<a href="#">00158ET3EPM143/5Y-W2</a>	\$617	Y1	52	1.25	2.02	86.5	12.110	230/460	
		1200	184Y	<a href="#">00152ET3EPM182/4Y-W2</a>	\$820	Y1	103	1.25	2.54	87.5	13.803	230/460	
2	1.5	3600	145Y	<a href="#">00236ET3EPM143/5Y-W2</a>	\$661	Y1	52	1.25	2.56	85.5	12.110	230/460	
		1800	145Y	<a href="#">00218ET3EPM143/5Y-W2</a>	\$685	Y1	52	1.25	2.76	86.5	12.110	230/460	
3	2.2	3600	184Y	<a href="#">00336ET3EPM182/4Y-W2</a>	\$847	Y1	104	1.25	3.63	86.5	13.803	230/460	
		1800	184Y	<a href="#">00318ET3EPM182/4Y-W2</a>	\$735	Y1	101	1.25	3.91	89.5	13.803	230/460	
5	3.7	3600	184Y	<a href="#">00536ET3EPM182/4Y-W2</a>	\$985	Y1	112	1.25	5.90	88.5	13.803	230/460	
		1800	184Y	<a href="#">00518ET3EPM182/4Y-W2</a>	\$855	Y1	110	1.25	6.45	89.5	13.803	230/460	
7.5	5.5	3600	215Y	<a href="#">00736ET3EPM213/5Y-W2</a>	\$1,248	Y1	162	1.25	8.76	89.5	17.198	230/460	39
		1800	215Y	<a href="#">00718ET3EPM213/5Y-W2</a>	\$1,240	Y1	170	1.25	9.18	91.7	17.198	230/460	
10	7.5	3600	215Y	<a href="#">01036ET3EPM213/5Y-W2</a>	\$1,477	Y1	185	1.25	11.6	90.2	17.198	230/460	
		1800	215Y	<a href="#">01018ET3EPM213/5Y-W2</a>	\$1,450	Y1	193	1.25	12.4	91.7	17.198	230/460	
15	11	1200	286Y	<a href="#">01512ET3EPM284/6Y-W2</a>	\$3,652	Y1	400	1.25	17.9	91.7	23.938	230/460	
20	15	1200	286Y	<a href="#">02012ET3EPM284/6Y-W2</a>	\$4,437	Y1	422	1.25	24.2	91.7	23.938	230/460	
25	18.5	1800	286Y	<a href="#">02518ET3EPM284/6Y-W2</a>	\$3,071	Y1	414	1.25	29.5	93.6	23.938	230/460	
		1200	326Y	<a href="#">02512ET3EPM324/6Y-W2</a>	\$5,353	Y1	591	1.25	30.4	93.0	26.658	230/460	
30	22	1800	286Y	<a href="#">03018ET3EPM284/6Y-W2</a>	\$3,610	Y1	452	1.25	35.1	93.6	23.938	230/460	
		1200	326Y	<a href="#">03012ET3EPM324/6Y-W2</a>	\$5,906	Y1	639	1.25	36.2	93.0	26.658	230/460	51
40	30	1800	326Y	<a href="#">04018ET3EPM324/6Y-W2</a>	\$4,638	Y1	587	1.25	47.1	94.1	26.658	230/460	
50	37	1800	326Y	<a href="#">05018ET3EPM324/6Y-W2</a>	\$5,661	Y1	610	1.25	59.2	94.5	26.658	230/460	